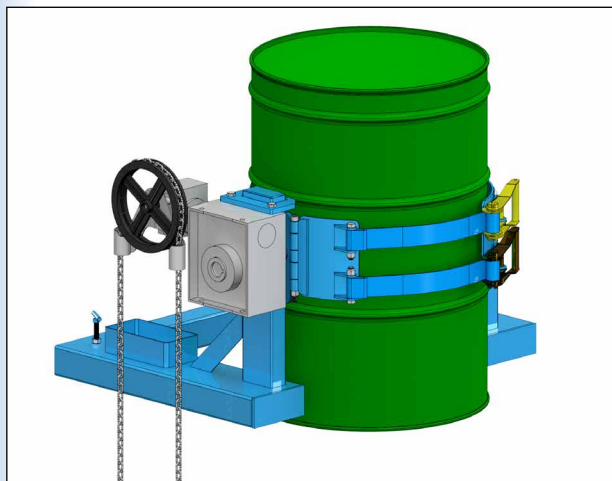


Extra Heavy-Duty Forklift-Karrier

Extra Heavy-Duty Forklift-Karrier

- Quick, sure drum handling with your forklift
- Capacity: 2000 Lb. (907 kg)
- 360° drum tilt control in both directions
- Hand operated geared tilt with fully enclosed gear box
- Controlled high-level pouring
- Save time, reduce waste, improve productivity

MADE
IN
USA



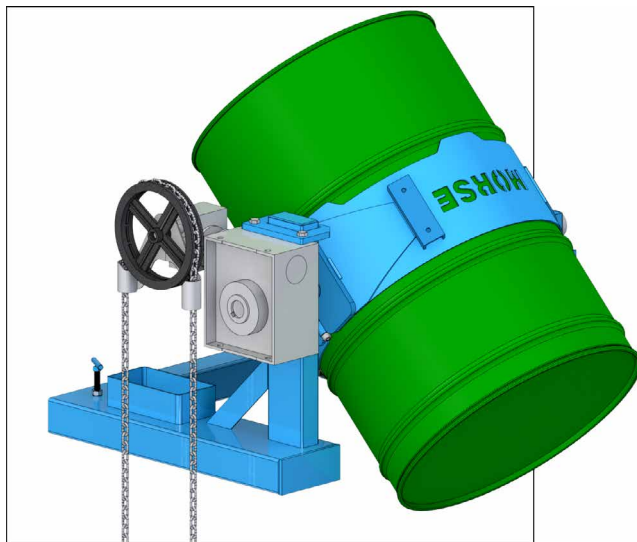
Manual drum tilt is controlled with a 20' (6 m) pull chain loop hanging 10' (3 m) below the chain wheel. There is enough resistance in the enclosed gear box to automatically stop and hold the drum tilt angle. Hand wheel and hand crank tilt control options are available.

Extra-heavy-duty construction with steel tube framework, large shafts and bearings offer long life in tough service. A grease filled, worm gear speed reducer provides 150:1 gear reduction for fine control when tipping heavy drums.

The drum holder of Model 285A-GR has a 9" (22.9 cm) wide metal band with two straps and ratchets to secure your 22.5" (57.15 cm) diameter steel drum.

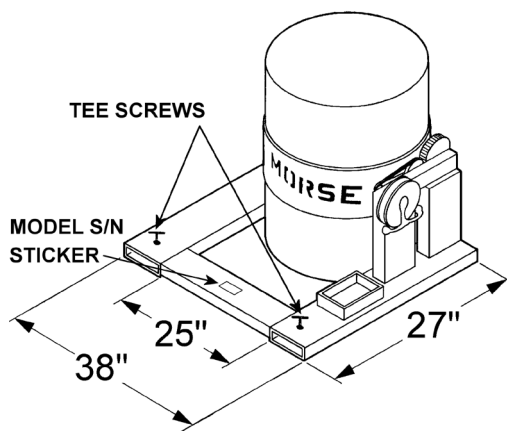
Full Drum Capacity 2,000 Lb. (907 kg),
Half-full drum capacity 1,000 Lb. (454 kg).

Half-full rating is an indication of capacity for tilting an unbalanced, bottom-heavy drum. A partially full drum with unbalanced and shifting load is harder to tilt than a full drum.



Steps to use Extra Heavy-Duty Forklift-Karriers

1. Drive your truck forks into the Extra Heavy-Duty Forklift-Karrier's fork pockets, then dismount and screw down safety locks to grip the forks.
2. Drive to a drum at ground level, so that the drum holder meets the center of your drum.
3. Secure your drum in the drum holder between drum ribs... no tools are needed.
4. Raise your forklift carriage and the secured drum, then travel to the dumping location.
5. To turn the drum without leaving your forklift seat, pull the chain loop for complete control of drum tilting.
6. Lower drum to the floor, then release ratchet straps.
7. Loosen screw down safety locks, then back forks out of fork pockets.



Dimensions

Fork pocket openings are 6.5" wide x 2.5" high (16.5 x 6.35 cm)

Fork pockets are 26.5" (67.3 cm) deep

Inside width between forks must be at least 25" (63.5 cm)

NOTE: Standard loop of pull chain extends approximately ten feet beyond the chain wheel

Model #	Description	Unit Weight
285A-GR	Extra-Heavy-Duty Forklift-Karrier, drum holder with ratchet web straps	188 Lb. (85 kg)



morsedrum.com



service@morsedrum.com



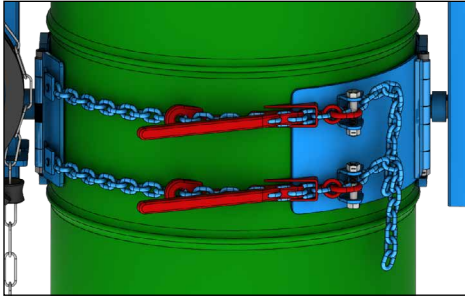
(315) 437-8475



103 Kuhn Rd.
Syracuse, NY, 13208 USA

Options and Accessories

Option # 6214i-P



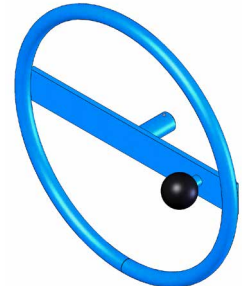
Option # 6214i-P
Factory installed Chains and Load Binders
Kit # 6214-P
Chains and Load Binders for customer to install

Option # X02-285GR



Hand Crank to turn drum. Replaces the standard chain wheel.

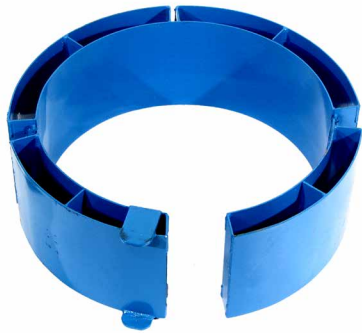
Option # X03-285GR



Option # X03-285GR
Factory installed 10" (25.4 cm) Diameter Hand Wheel with Speed Knob. Replaces standard chain wheel to turn drum.
Part # 4385-P
10" (25.4 cm) Hand Wheel for customer to install

MADE
IN
USA

Diameter Adapter # 55/30-19GR



Model # 55/30-19GR
Diameter Adapter for 30-gallon (114 liter) drum
Insert Diameter Adapter into drum holder to handle a 19" (48.3 cm) diameter steel drum.
Lift Diameter Adapter out to handle a 55-gallon (210 liter) steel drum.

Asymmetric Drum Cones



Asymmetric Drum Cones
Shown with Slide Gate (Kit SG) to start and stop material flow.

**Stainless Steel
Asymmetric Drum Cones**



Stainless Steel Asymmetric Drum Cones
Shown with:

- Iris Valve (Kit IV) to control product flow
- Stainless Steel Clamp Collar to secure cone to drum