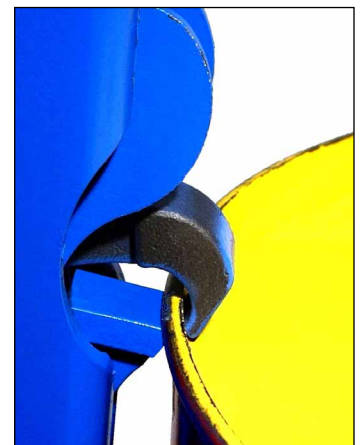


### Lift and Stack an Upright Drum

- Stack a Drum up to 101" (257 cm) high
- Grips Top Rim of Steel, Plastic or Fiber Drum
- Handles Upright Drum Only
- You control the lifting height
- Ergonomic Power-Lift Models
- Capacity: 800 Lb. (363 kg)

**MORSPEED**<sup>™</sup> jaws handle virtually any rimmed drum... even a drum with straight wall or deformed ribs



Wide **MORSPEED**<sup>™</sup> jaws, are contoured to securely grasp drum rim. Encased mechanism provides precise, reliable, automatic drum gripping.



**522 Series Stack Drum**  
up to 101" (257 cm) high



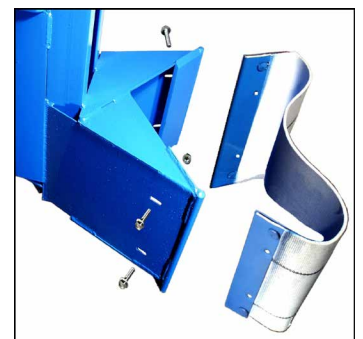
**512 Series Stack Drum**  
up to 45" (114 cm) high

### Handle Various Drums

- Steel drum with closed head, or with removable top with clamp ring on and secured
- Rimmed plastic drum with non-removable top, or with lid on and secured
- Fiber drum with metal clamp ring closure secured
- Even works with straight walled or damaged drums
- Requires 24" (61 cm) minimum drum height, but will work with any diameter drum
- Requires 75 Lb. (34 kg) minimum drum weight to actuate jaws

Contact Morse for advice on suitability of unusual drums or rim shapes.

### Option

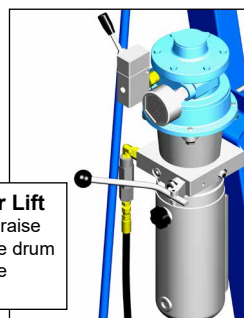


**Belt Kit Option # 2523-P** puts a shock absorbent surface in front of the steel backrest of the **MORSPEED**<sup>™</sup> to protect the finish on your drum. It is easy to install using 4 bolts provided.

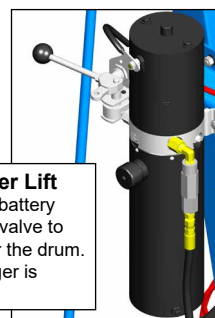
### Power Lift Components



**Electric Power Lift**  
Use switch to raise the drum. Lower the drum with manual release valve.



**Air Motor Power Lift**  
Use on/off valve to raise the drum. Lower the drum with manual release valve.



**Battery Power Lift**  
Self contained battery power-lift. Use valve to raise and lower the drum. Separate charger is included.



Model # 512-125 with battery power drum lift.  
Battery and charger are included.

| Model Numbers |                     |                      |                    |                      |  | Export Crate |  |                     |
|---------------|---------------------|----------------------|--------------------|----------------------|--|--------------|--|---------------------|
| Model #       | Maximum Lift Height | Lift Function        | Motor Control      | Domestic Ship Weight | Domestic Ship Dimensions                 | Crate #      | Crate Dimensions                           | Crate Weight        |
| 512           | 45"<br>(114 cm)     | Manual Hand Pump     | N/A                | 625 Lb. (283 kg)     | L74" x W48" H83"<br>(188 x 122 x 211 cm) | 3004X-P      | L63" x W46" x H85"<br>(160 x 117 x 216 cm) | 330 Lb.<br>(150 kg) |
| 512-120       |                     | AC Motor *           | Switch, Cord, Plug | 620 Lb. (281 kg)     |  |              |  |                     |
| 512-124       |                     | Air Motor, Vane Type | On/Off Valve       | 606 Lb. (275 kg)     |  |              |  |                     |
| 512-125       |                     | 12V DC **            | Built-in           | 610 Lb. (277 kg)     |  |              |  |                     |
| 522           | 101"<br>(257 cm)    | Manual Hand Pump     | N/A                | 825 Lb. (374 kg)     | L74" x W48" H82"<br>(188 x 122 x 208 cm) | 3735X-P      | L68" x W47" x H87"<br>(173 x 119 x 221 cm) | 330 Lb.<br>(150 kg) |
| 522-120       |                     | AC Motor *           | Switch, Cord, Plug | 820 Lb. (372 kg)     |  |              |  |                     |
| 522-124       |                     | Air Motor, Vane Type | On/Off Valve       | 785 Lb. (356 kg)     |  |              |  |                     |
| 522-125       |                     | 12V DC **            | Built-in           | 810 Lb. (367 kg)     |  |              |  |                     |

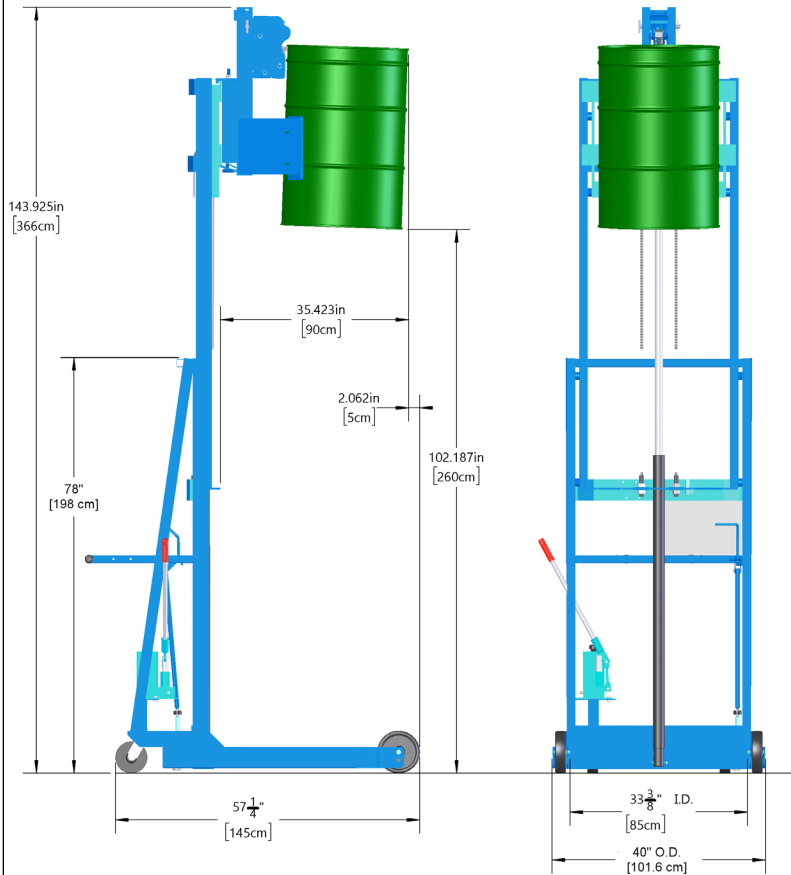
\* Standard AC motors are TEFC, 1HP for 115V AC, 60Hz.

\*\* 12V DC power includes battery and 110V AC charger.

Dimensions

**522 Series**

**Two-Stage models lift an upright drum up to 101" (257 cm) high.**  
 Frame retracts to a minimum height of 78" (198 cm).  
 Turning Radius: 68.25" (174 cm)



**512 Series**

**Single-Stage models lift an upright drum up to 45" (114 cm) high.**  
 Frame retracts to a minimum of height of 78" (198 cm).  
 Turning Radius: 61" (155 cm)

