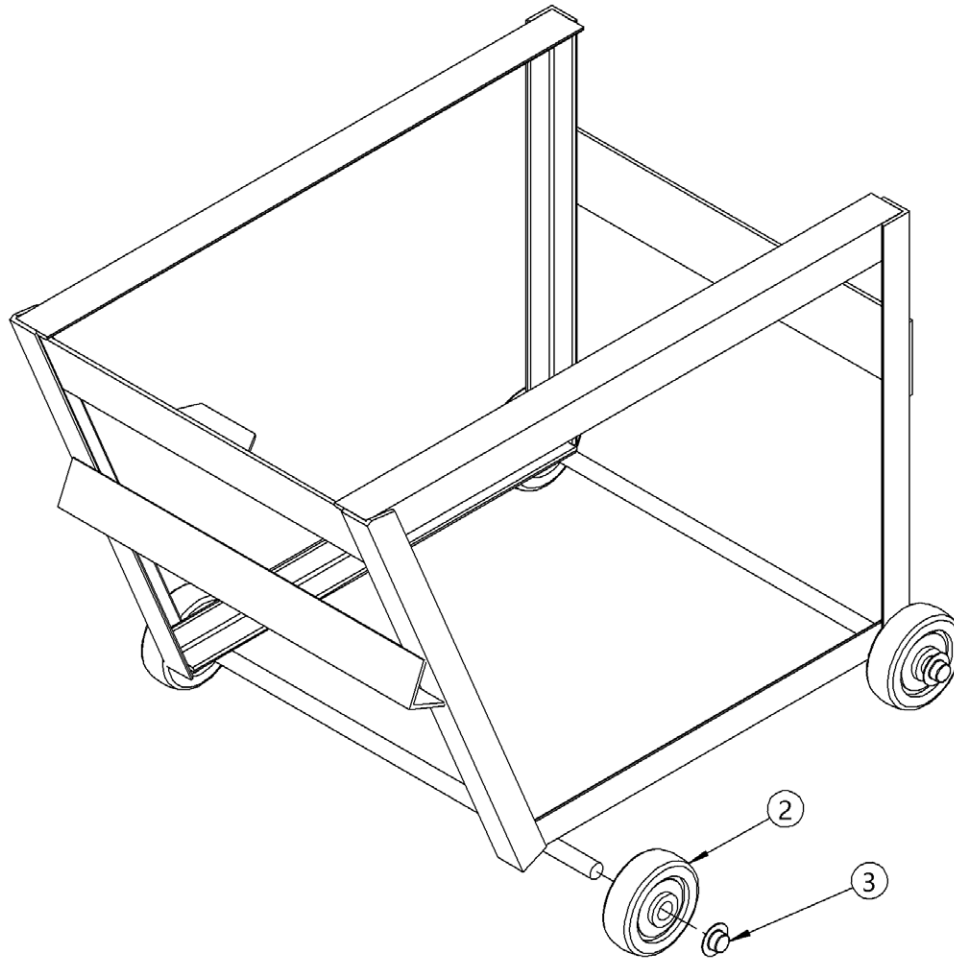


**Parts Diagram of Morse Model 46 15-Gallon Drum Cradle**



ITEM NO.	PART NUMBER	DESCRIPTION	QTY.
1	2999-P	FRAME WELD, 46	1
2	210-P	WHEEL, MORTUF 3" X 1/2"BORE 36	4
3	715-P	CAP, HUB, PUSH-ON, 1/2"	4



**WARNING:** This product can expose you to chemicals including barium sulfate, cobalt, titanium dioxide, and 2-methylimidazole, which are known to the State of California to cause cancer, and bisphenol-A, which is known to the State of California to cause birth defects or other reproductive harm.  
 For more information go to [www.P65Warnings.ca.gov](http://www.P65Warnings.ca.gov)



[morsedrum.com](http://morsedrum.com)



[service@morsedrum.com](mailto:service@morsedrum.com)



(315) 437-8475



103 Kuhn Rd.  
 Syracuse, NY 13208 U.S.A.