

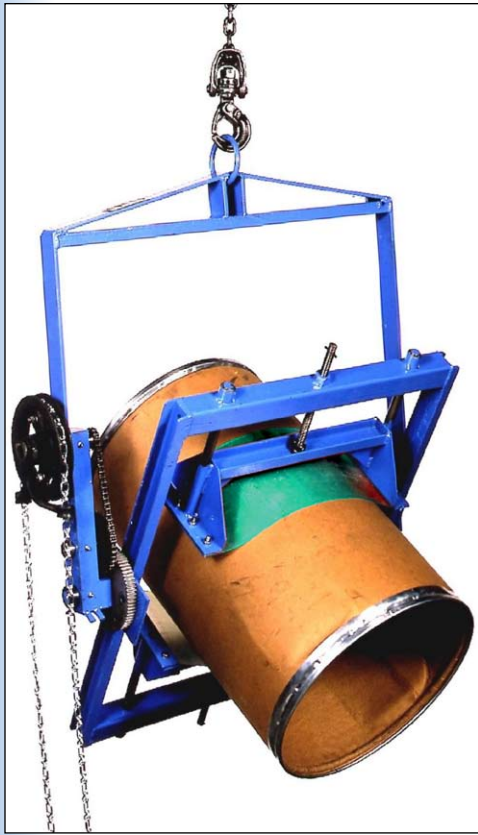
### Adjust for Various Diameter Drums

- Adjust for 15" to 23" (38.1 to 58.4 cm) Diameter Steel or Fiber Drum
- Unique pads conform to drum for a secure grip
- Turn drum 360° in either direction
- Handle drum with crane, hoist or chain block
- Controlled high-level drum pouring
- Capacity: 500 Lb. (227 kg)

Use Adjusto-Karrier to pour into high chutes, hoppers, vessels, etc. Adjust to fit 15" to 23" (38.1 to 58.4 cm) diameter drum. Unique nylon core grip pads have nitrile blend cover, and conform curvature of drum. Hand operated pull chain with geared tilt control to control drum pouring angle above a person's reach. The 30:1 gears are equipped with safety covers. Handle a fiber or steel drum with or without ribs. Do **NOT** use with plastic drum.

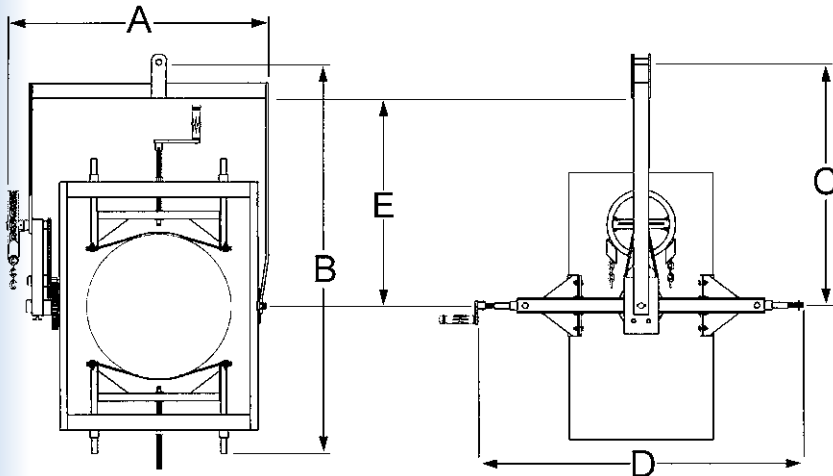
To secure drum in Adjusto-Karrier, back-off the adjusting screws with the removable crank furnished. Center rods are threaded adjusting screw with additional guide rods on each side. Hoist up over drum and lower so grip pads align with center of load. Turn adjusting screws to tighten grip pads and hold drum approximately centered in holder frame. Turn adjusting crank to "feel" resistance of pressure being applied and prevent denting or crushing container.

When handling successive drums of the same diameter, grip and release involves just one adjusting screw. The other one need not be readjusted until a different diameter is encountered. Then, readjust to center new drum.



Model #	Description
186	Adjusto-Karrier
186M	Adjusto-Karrier with Spark Resistant Parts

### Dimensions



Model # 186	
Handles	15" to 23" Diameter (38.1 to 58.4 cm)
Dimension A	34.375" (87.3 cm)
Dimension B	48.125" (122.2 cm)
Dimension C	28.75" (73 cm)
Dimension D	Drum diameter + 20" (50.8 cm)
Dimension E	24.5" (62.2 cm)

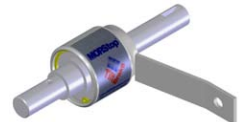
Morse Adjusto-Karrier ships fully assembled in a carton

### Tilt Control Options

Standard tilt control is a chain wheel and a 12' (366 cm) pull-chain loop with 6' (183 cm) drop for high level pouring.

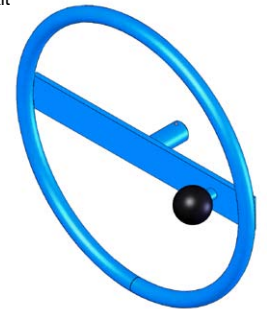
We recommend factory installed **Option # 3900i-P MORStop™ Tilt-Brake** to automatically hold drum tilt angle until operator turns drum

**Kit # 3900-P**  
MORStop™ Tilt-Brake Kit for customer to install



**Option X02-186**  
Factory installed 9" (22.9 cm) Hand Crank

**Part # 5U-P**  
Hand Crank for customer to install



**Option X03-186**  
Factory installed 16" (40.6 cm) Diameter Hand Wheel

**Part # 2685-P**  
Hand Wheel for customer to install