

**MORSPEED 1000™ Forklift Drum Handler  
with 1000 Lb. (454 kg) Capacity**



**Move MORE drums with MORSPEED™**

- Lift, move and place a rimmed drum right from your forklift
- Mounts on forks in seconds without tools
- Safety chain secures unit to carriage of lift truck
- Raise forks to grip drum
- Steel jaws grip upper rim of drum
- Capacity: 1000 Lb. (454 kg)
- Requires drum of at least 50 Lb. (23 kg)
- **MORSPEED 1000™** head adjusts for handling a drum down to 18" (45.7 cm) tall

The **MORSPEED 1000™** Forklift Attachment allows you to grab, lift, move and place a drum in minimum time without leaving your fork truck. Raise and lower forks to grab and release drum. The steel jaws are contoured to securely grasp the drum. They are completely mechanical and automatic.

**MORSPEED 1000™** drum handlers work with straight walled drums or even deformed ribs, since they do not depend on the drum ribs or friction. They do not require any modification to your truck. The forklift operator just raises and lowers the forks and drives forward and back as necessary.

Wide **MORSPEED™** jaws are contoured to securely grasp virtually any rimmed drum. The encased mechanism provides precise, reliable, automatic drum gripping.

**Handle Virtually Any Rimmed Drum**



- Steel drum with closed head, or removable top on and secure
- Rimmed plastic drum with non-removable top, or removable top on and secure
- Fiber drum with top on and metal clamp ring closure secured
- Even works with straight walled or damaged drums
- Will work with any diameter drum
- Requires 18" (46 cm) minimum drum height
- Requires drum weight of at least 50 Lb. (23 kg) to actuate jaws
- Works with or without pallets

| Model #       | Description   |
|---------------|---|
| <b>286-1</b>  | Fork mount, Handle 1000 Lb. (454 kg) drum with single head                            |
| <b>286M-1</b> | Fork mount with Spark Resistant Parts, Handle 1000 Lb. (454 kg) drum with single head |



[morsedrum.com](http://morsedrum.com)



[service@morsedrum.com](mailto:service@morsedrum.com)



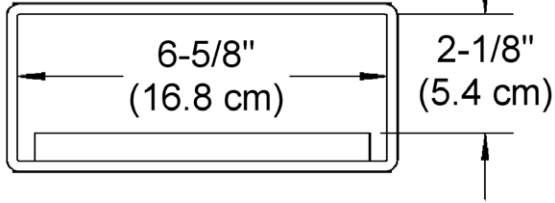
(315) 437-8475



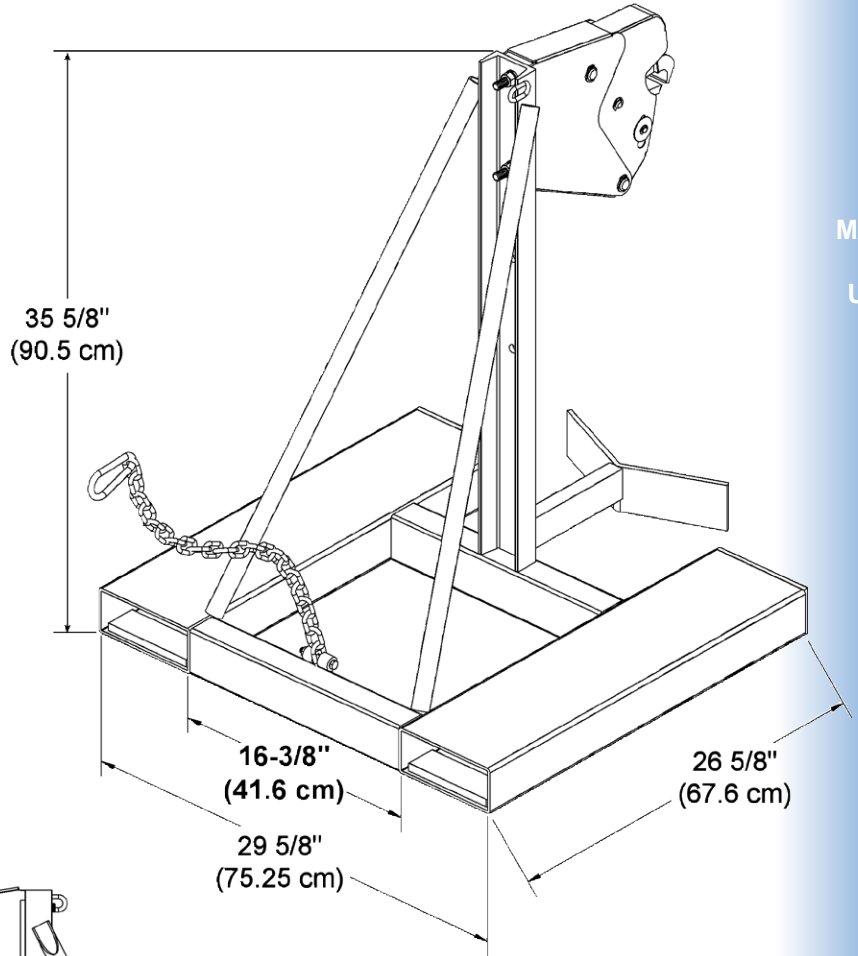
103 Kuhn Rd.  
Syracuse, NY, 13208 USA

**MORSPEED 1000™ Dimensions**

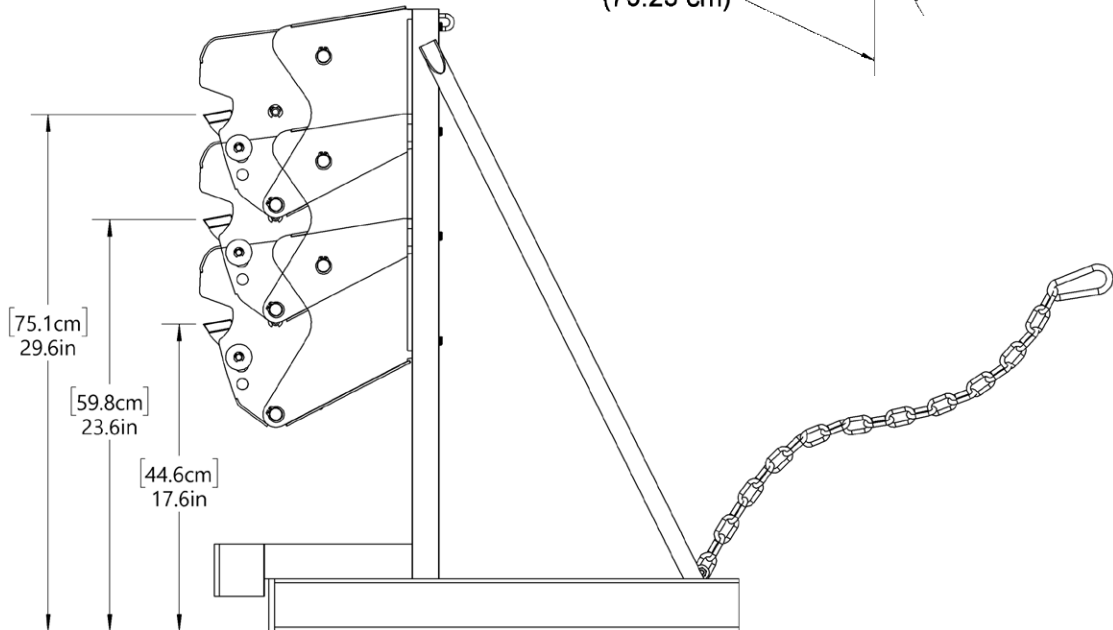
**FORK POCKET OPENING**



- Each fork pocket opening is 6-5/8" wide x 2-1/8" high (16.8 x 5.4 cm)
- Fork pockets are 26-5/8" deep (67.6 cm)
- Requires 16-3/8" (41.6 cm) inside width between forks



MADE  
IN  
USA



Mount Head with Jaws at 3 different positions in order to handle various height drums