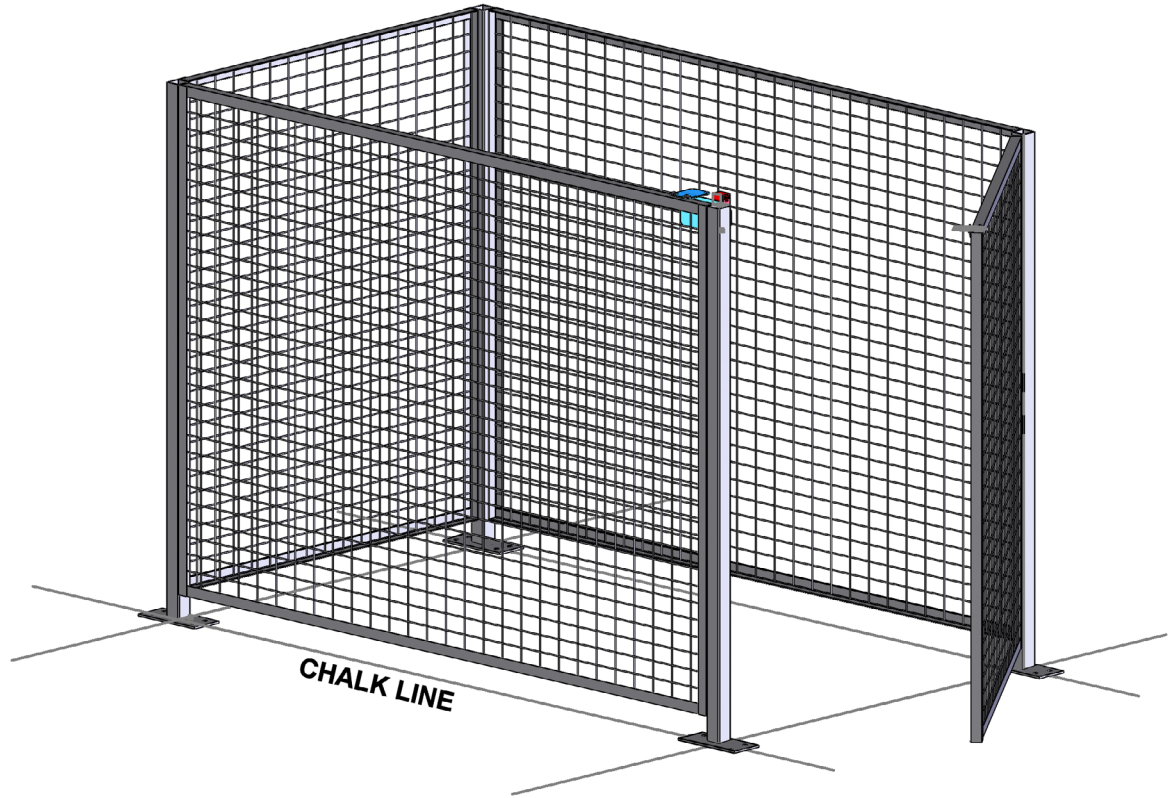


CONTENTS

	Page
General Information and Installer Tips.	2
Panels & Posts.	3
Enclosure Description.	4
Hinge Door Hardware.	4 - 5
Step-by-Step Installation.	6 - 14



General Information

The following General Installation Instructions should be used as a guide for installing partitions. Because of the varying job site conditions, and infinite layout possibilities, there is no “recommended” way to install the product. **Good common sense and proper safety precautions must be used during installation.** The product may be unstable during installation; proper temporary bracing should be used until all hardware is tightened and the product is properly anchored to the floor. Permanent field bracing may be installed at installer’s/owner’s discretion. Install problems arising from job site conditions should be referred to a professional installer.

TOOLS RECOMMENDED

Chalk line & marker	Drill with adjustable clutch and 3/8” nut driver	(2) Step ladders if installing ceiling
Tape Measure	Hammer Drill with 3/8” masonry bit	(2) C clamps or Vise-Grip® type clamps
Level	(2) 9/16” open end wrenches and/or	#1 & #2 Phillips Screw Driver
Hacksaw	(2) 9/16” deep socket ratchets	1/2” deep socket or 1/2” open end wrench

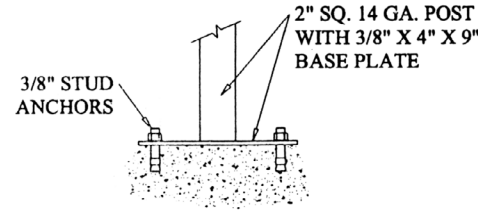
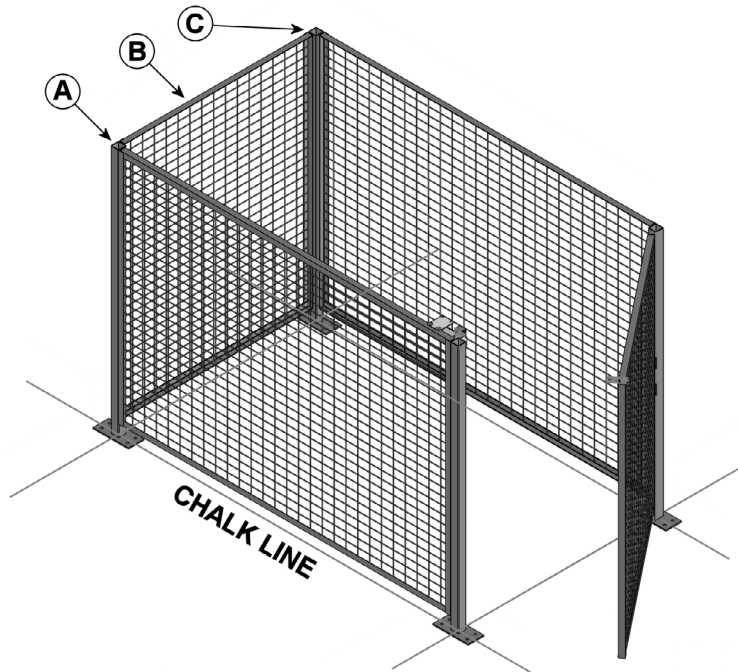
SELF DRILLING SCREW INSTALLATION RECOMMENDATIONS

When installing self drilling screws use a standard variable speed screw gun equipped with an adjustable clutch or depth locating nose piece. Take care not to over tighten or strip, set drill accordingly. **DO NOT USE IMPACT TYPE GUN WHEN INSTALLING SELF DRILLING SCREWS.** Securely clamp component parts in place before attaching with self drilling screws.

INSTALLER TIPS

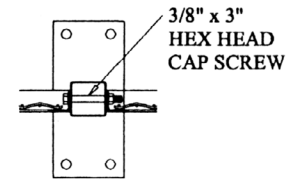
1. Installation is best accomplished with a two or three person crew.
2. Before starting, review all installation instructions pertinent to your layout (i.e. panels, doors, etc.)
3. “Face Side” of the partition is the outside, where nuts and bolts will NOT be visible or accessible. “Inside” of the partition has one leg of the panel frame pointing in. Assembly hardware will be on the inside of most layouts.
4. Panels install horizontally between posts, 2” mesh opening should be parallel with floor.
5. Identify all panels by part number. If possible stage parts where they will be installed.
6. Special size panels have metal tags on the mesh and are referenced on drawing.
7. Make sure all posts are installed plumb (vertically perpendicular to floor). Shims (not provided) may be necessary.
8. Use a 3-1/4” spacer block (not provided) to support far end of panel during setup.
9. Begin installation process at a building wall, end or corner of layout.
10. Gauge hinge door opening by width of transom panel.
11. Gauge slide door opening by door width (e.g. 48” between posts for 4’ wide slide door). When necessary, slide door openings may be narrowed to adjust length of adjacent run.
12. Standard hinge, double hinge, and slide doors are universal and may be installed inside or outside swing, left or right hand. Dutch and special doors are not universal and must be installed as shown out on drawing.
13. Installer should cut off any bolts or hardware protruding into aisle ways or around door openings.
14. Installer should touch up all nicks, marks, and scratches with touch up paint provided.

Physical Barrier Height: 5' 3-1/4"



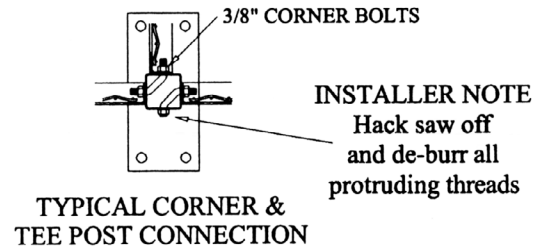
TYPICAL POST TO FLOOR CONNECTION

Fig.1



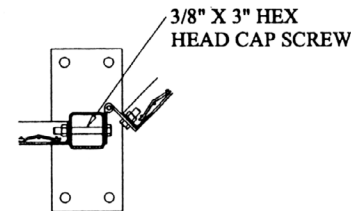
TYPICAL RUN POST CONNECTION

Fig.2



TYPICAL CORNER & TEE POST CONNECTION

Fig.3



ADJUSTABLE HINGE CONNECTION

Fig.4

PHYSICAL BARRIER HEIGHT: 5' 3-1/4"
PANEL & POST INSTALLATION

1. Use a chalk line to outline the partition layout on the floor.
 - a. Out to out dimensions shown on drawing are to face side of posts.
 - b. Post base plates project beyond outline of partition.
2. Lag end post (A) to floor per Fig. 1 using anchors provided.
3. Mount panel (B) to post (A)
 - a. Per Fig. 2 for straight run using two 3/8" x 3" straight bolts, or
 - b. Per Fig. 3 for 90 degree corner using two 3/8" corner bolts, or
 - c. Per Fig 4 for adjustable angle, mount hinge with 3/8" x 3" straight bolts or
 - d. If mounting directly to building wall skip this step.
 - e. **Note: Panels install horizontally; 2" mesh opening parallel with floor.**
4. Attach opposite end of panel (B) to second post (C)
 - a. Per Fig 2 for run post, or
 - b. Per Fig 3 for corner post.
5. Lag post to floor using anchors provided

Barrier Hinge Door Outside Swing Right Hand Shown

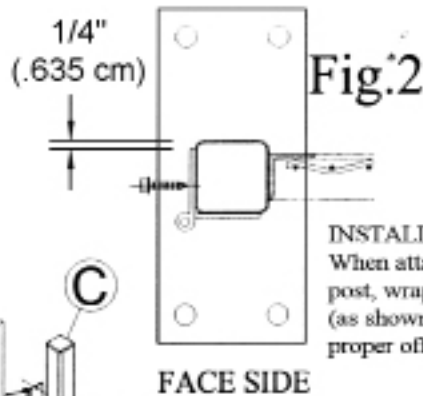
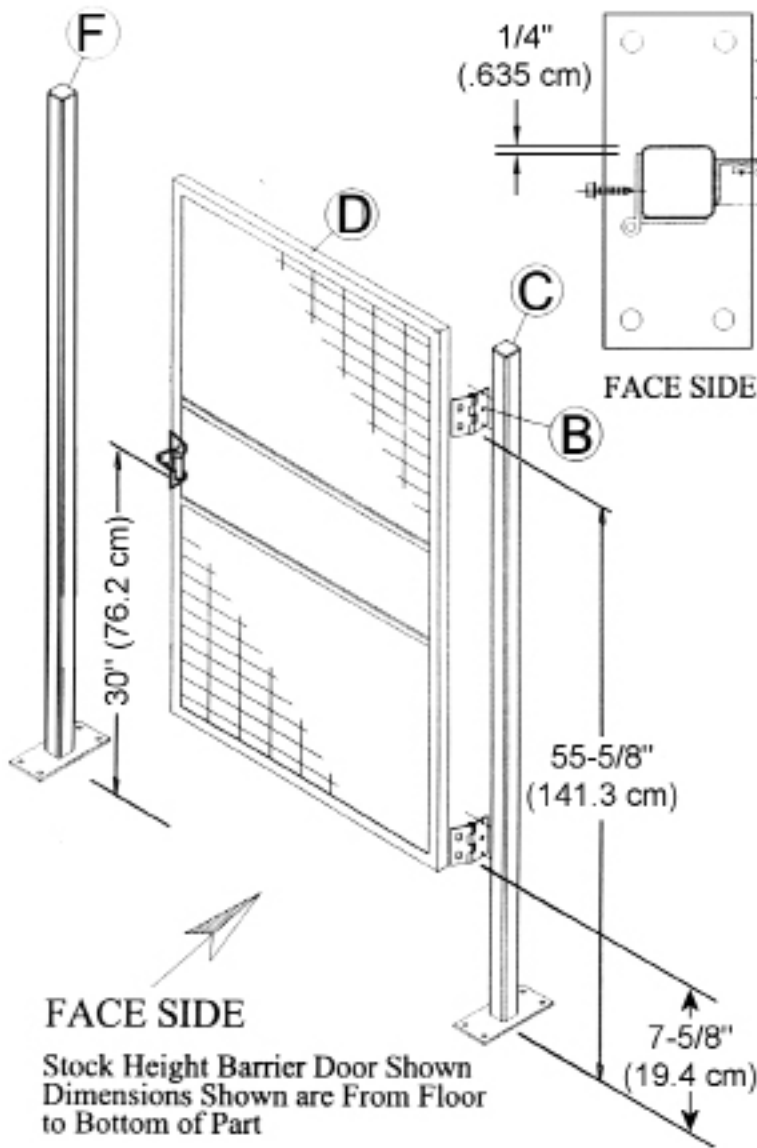
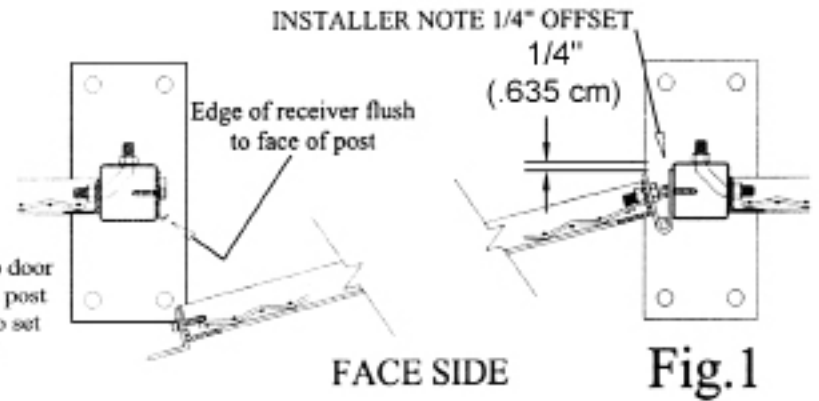


Fig. 2
INSTALLATION TIP:
When attaching hinge to door post, wrap hinge around post (as shown in drawing) to set proper offset alignment

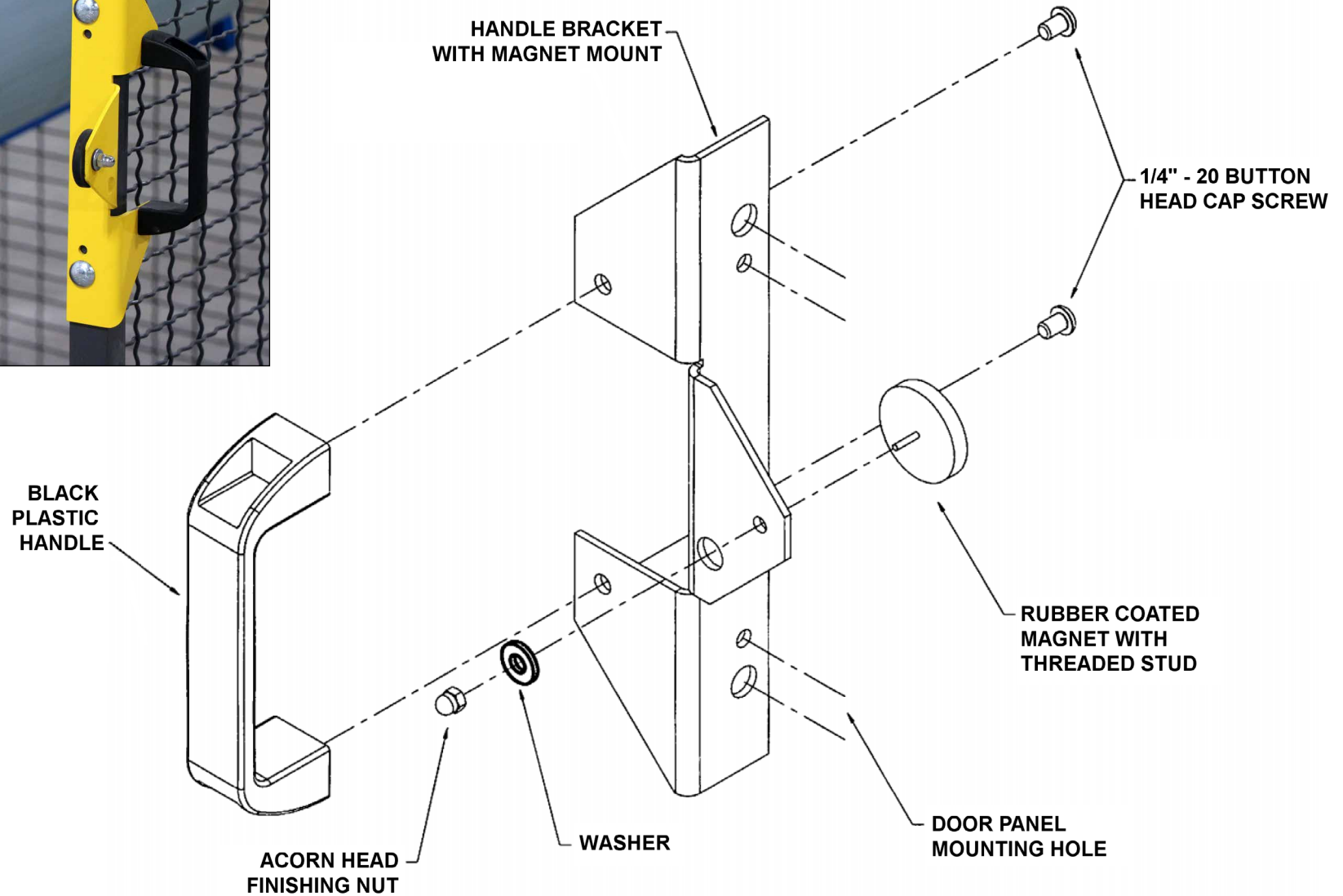


INSTALLER NOTES:

1. Component parts attach using self-drilling screws. Use variable speed screw gun with adjustable clutch or depth locating nose piece. Use care not to over tighten and strip threads. **DO NOT USE IMPACT TYPE GUNS.** Securely clamp part in place before attaching with self drilling screws.
2. The dimensions shown on this page are for standard physical barrier hinge doors 5'-0" tall with a sweep space of 3-5/8".
3. Partition wall should be set up and anchored to floor, with posts plumb before attempting to install doors.

Physical Barrier Hinge Door Outside Swing

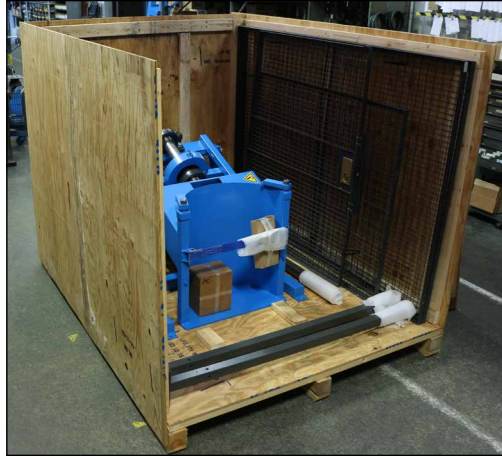
1. Check opening width at floor, and anchor posts to floor.
 - a. Check that posts are plumb and opening is square.
 2. Attach hinges (B) to door post (C) using two self drilling screws per hinge.
 - a. Note hinge placement offset detailed in Fig 1 and install tip Fig 2.
 - b. If necessary, remove two 3/8" x 3" panel mounting bolts and replace with corner bolts. Cut off and file smooth any protruding bolt threads.
- Attach door panel (D) to hinges with two 3/8" x 1" bolts and nuts per hinge.
- a. Set desired sweep space (3-5/8" for stock doors).



Installation Instructions for Enclosure with Safety Interlock



Enclosure Kit packaged for domestic shipment will arrive on pallet as shown.



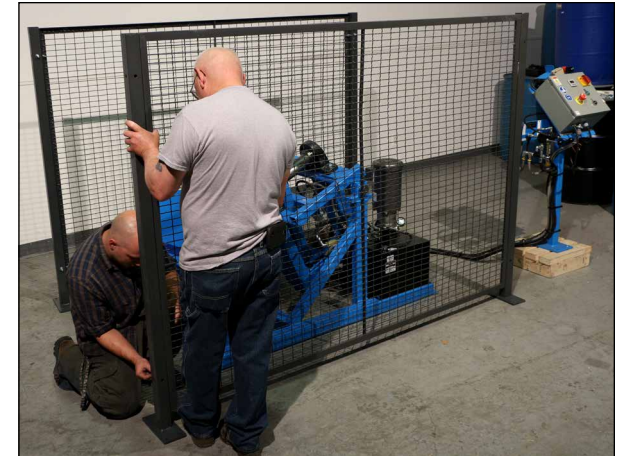
Enclosure Kit exported from the USA with drum rotator are packaged in crate with the rotator.



Position the drum rotator at the desired location, ensuring there is ample room for enclosure, and for loading a drum onto the drum rotator.



Attach enclosure side panels to posts with provided hardware.



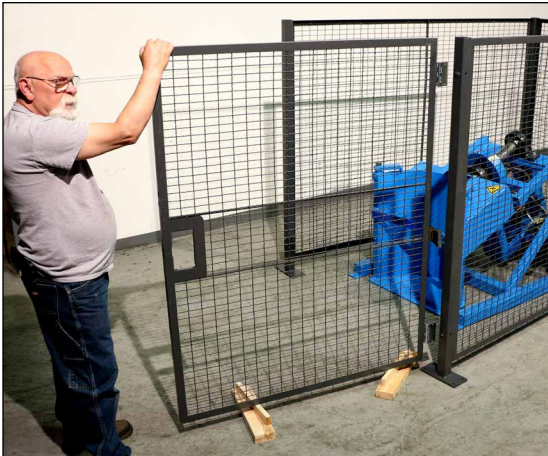
Installation Instructions for Enclosure with Safety Interlock



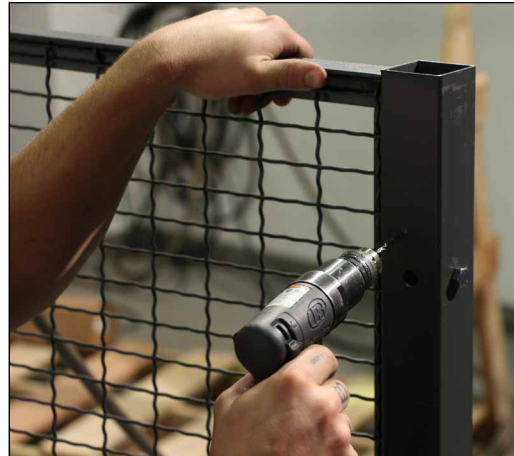
Attach enclosure end panel to posts with provided hardware.



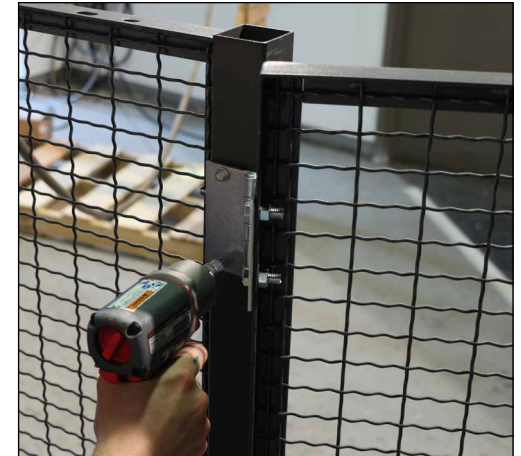
Attach hinges to enclosure door with bolts and nuts.



Use spacer blocks (not provided) to support door panel during set up.



Drill holes for hinges in posts to mount door at desired height.



Attach top door hinge to post with self-tapping screws.



Attach bottom door hinge to post with self-tapping screws.

Installation of Interlock Switch Assembly (Kit # 5152KIT-P) for NON Explosion Proof Enclosures

KIT # 5152KIT-P			
ITEM	QTY.	PART #	DESCRIPTION
1	1	5151-P	BEAM FASTENER, KEY SAFE SWITCH
2	1	4823A-P	KEY, SAFETY SWITCH, DRILLED
3	1	1518-P	NUT, 1/4-20 NYLON LOCK
4	1	1866-P	WASHER, 1/4 USS 3/4 OD
5	1	4822-P	SWITCH, AC SAFETY, CAGE
6	4	1867-P	BHCS, 10-24 X 1-3/4
7	4	1869-P	NUT, 10-24 NYLON LOCK
8	1	6483-P	MOUNT, SAFETY SWITCH, LC
11	1	4574-P	CABLE, INTERLOCK, 22'
12	9	2182-P	WIRE / CABLE TIE, 3-5/8
13	1	5838-P	CORD GRIP, M20, SWITCH, BOX
14	4	3292-P	WASHER, SAE 10 7/32 ID 1/2 OD



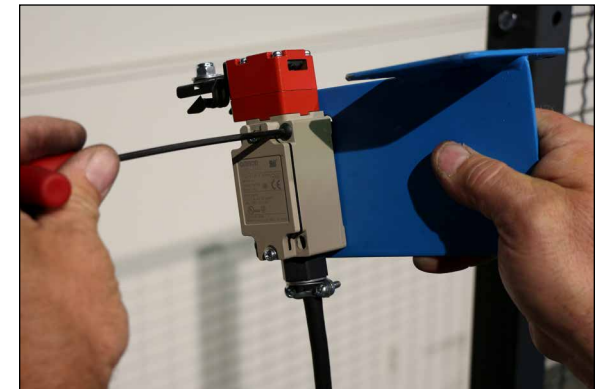
Ensure switch (item 5) is configured to receive key (item 2) with latch on left side of door.



If necessary, reverse orientation of switch. . .

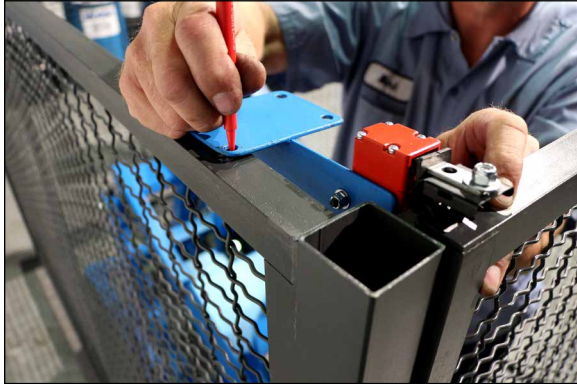


. . .and re-assemble switch.

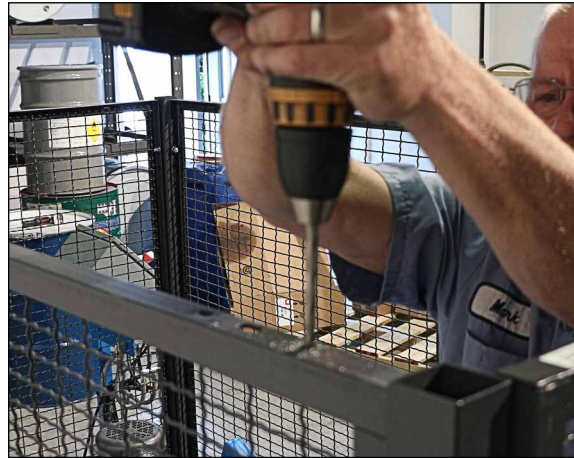


Attach switch to mounting plate using two bolts and two nuts.

Installation of Interlock Switch Assembly (Kit # 5152KIT-P) for NON Explosion Proof Enclosures



Mark where to drill holes in top of side panel for switch mounting plate.



Drill holes for switch mounting plate.



Install switch mounting plate on top of side panel with two bolts, two nuts and 4 washers.



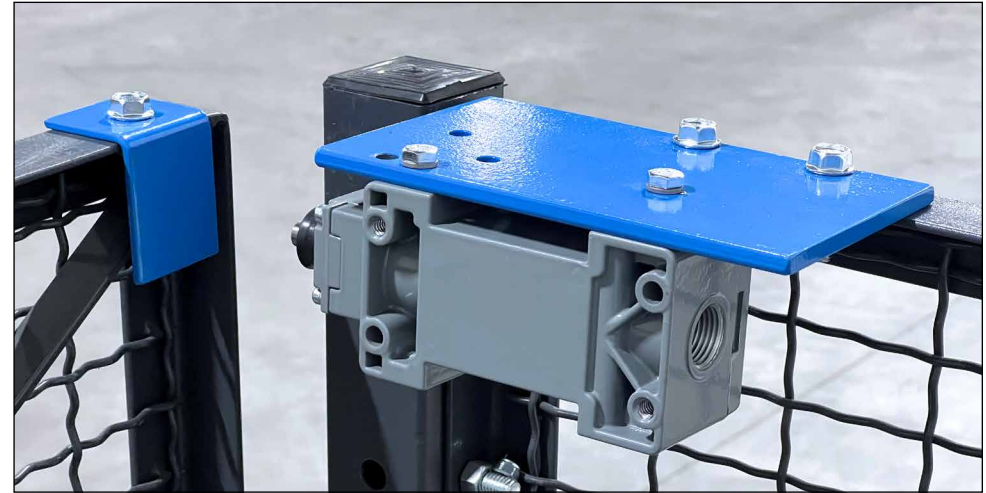
Install key on the door of the enclosure so that it aligns with the switch on the side panel.



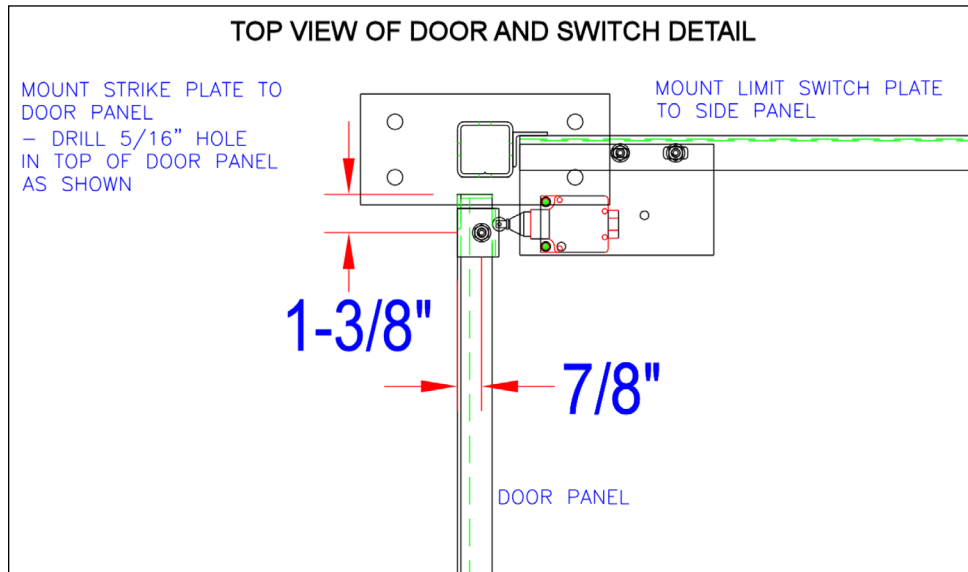
Close enclosure and verify that the key aligns properly with the switch. If key is not aligned properly, adjust accordingly. Key may be adjusted by loosening its screws and moving, then re-tightening screws.
Use zip ties to retain cable from switch to control station.

Installation of Switch Assembly Kit (Morse Kit # 3597KIT-P) for Explosion Proof Enclosures

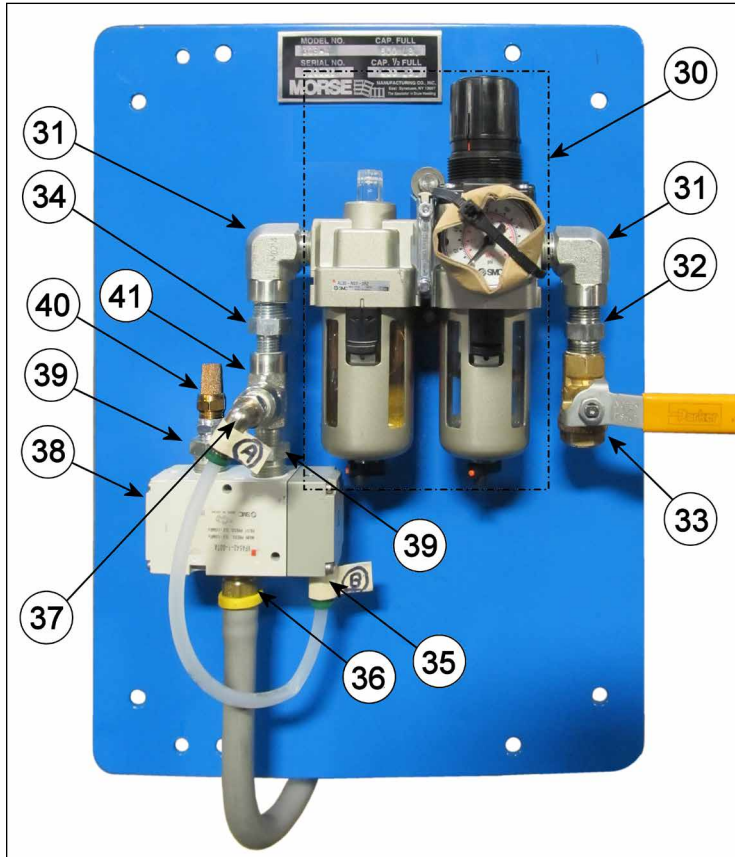
KIT # 3597KIT-P			
ITEM	QTY.	PART #	DESCRIPTION
20	1	3597-P	SWITCH, AC LIMIT, EXP, CAGE
21	2	1714-P	HHCS, 1/4-20 X 3/4 GR2
22	2	1882-P	WASHER, 1/4 SPLIT LOCK
23	1	4298-P	MOUNT, LIMIT SWITCH, CAGE
24	1	4299-P	PLATE, STRIKE, LIMIT SWITCH
25	3	1635-P	BOLT, 5/16-18 X 1-1/4 WHIZ
26	3	1634-P	NUT, 5/16-18 WHIZ LOCK



Morse Kit # 3597KIT-P Switch Assembly installed on enclosure gate



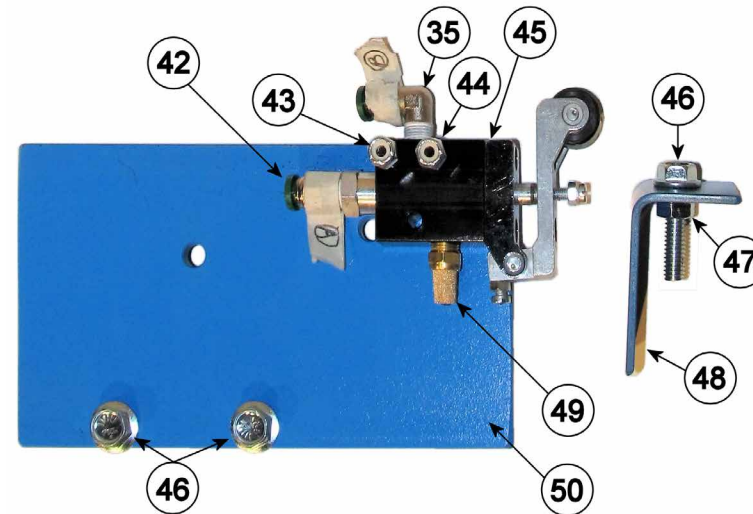
Installation of Air Switch Kit (5102KIT-P) and FRL for Air Enclosures



KIT # 5102KIT-P			
ITEM	QTY.	PART #	DESCRIPTION
34	1	3207-P	HYD FIT, MALE NIPPLE, 3/8-1/4
35	2	3116-P	AIR FIT, MALE ELBOW, -4-2
37	1	3115-P	AIR FIT, MALE ELBOW, -4-4
38	1	3174-P	VALVE, AIR ON/ OFF, 611-114
39	2	3299-P	HYD FIT, PIPE REDUCER 3/8-1/4
40	1	3909-P	BREATHER VENT, 1/4
41	1	1105-P	HYD FIT, RUN TEE, 456, 310
42	1	3120-P	AIR FIT, MALE CON. -4-2
43	2	1869-P	NUT, 10-24 NYLON LOCK
44	2	1867-P	BHCS, 10-24 X 1-3/4
45	1	5102-P	SWITCH, AIR LIMIT, 611-114
46	3	1635-P	BOLT, 5/16-18 X 1-1/4 WHIZ
47	3	1634-P	NUT, 5/16-18 WHIZ LOCK

KIT # 5102KIT-P			
ITEM	QTY.	PART #	DESCRIPTION
48	1	4299-P	PLATE, STRIKE, LIMIT SWITCH
49	1	4433-P	BREATHER VENT, 1/8
50	1	4298-P	MOUNT, LIMIT SWITCH, CAGE
51	9	2182-P	WIRE / CABLE TIE, 3-5/8 (not shown)
52	2	5105-P	TUBING, POLY, 1/4", 20' (not shown)

OTHER PARTS			
ITEM	QTY.	PART #	DESCRIPTION
30	1	2794-P	FILTER, REG, LUBRICATOR, 3/8"
31	2	3301-P	HYD FIT, STREET ELBOW, 3/8 310
32	1	3300-P	HYD FIT, PIPE NIPPLE, 3/8
33	1	2658-P	VALVE, BALL, 3/8" BRASS
36	1	2519-P	HYD FIT, PUSH LOK 3/8 X 3/8



Installation Instructions for Enclosure with Safety Interlock



Install end cap on top of each post.

