

Parts Diagram for Part # 101ZSS-P Drum Holder (Saddle)

Used on

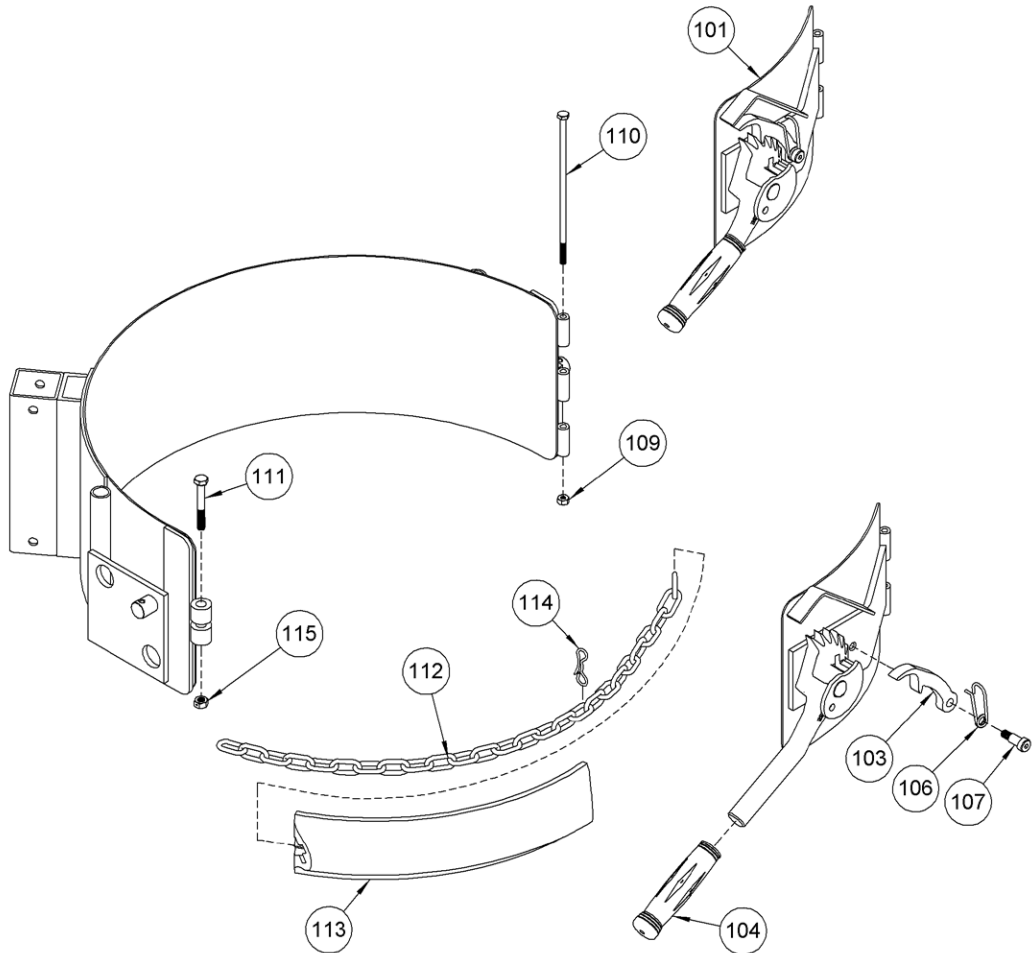
- 82A-SS Series with Serial Number 0313 to 1014 (MMYY)
- Model 80i-SS with Serial Number 1210 to 1014 (MMYY)
- Model 85i-SS with Serial Number 1210 to 1014 (MMYY)



IMPORTANT NOTE

4-Digit serial numbers are simply the month & year of manufacture

Example: 0802 is August 2002



| ITEM | QTY. | PART # | DESCRIPTION |
|------|------|----------|---------------------------------|
| 101* | 1 | 727ASS-P | RATCHET HINGE PLATE CPT 1/4 SS |
| 103 | 1 | 168SS-P | PAWL, SILVER POWDER CT |
| 104 | 1 | 4409-P | GRIP, HANDLE 7/8" X 4-3/4", RED |
| 106 | 1 | 169SS-P | SPRING, PAWL, SS |
| 107 | 1 | 170SS-P | SCREW, 3/8" DIA SHOULDER, SS |
| 109* | 1 | 1518SS-P | NUT, 1/4-20 NYLON LOCK, SS |
| 110* | 1 | 1296SS-P | HHCS, 1/4-20 X 7-1/2, SS |
| 111* | 1 | 4079SS-P | HHCS, M8 X 60 MM, 8MM, SS |
| 112* | 1 | 4408-P | CHAIN, 9/32 CINCH, SS, 38 LINK |
| 113* | 1 | 4414-P | COVER, CINCH CHAIN, FLEX PVC |
| 114 | 1 | 4710-P | PIN, BOW TIE COTTER, MOR |
| 115* | 1 | 4081SS-P | NUT, M8 ESNA, 8MM, SS |

* Recommended spare parts