
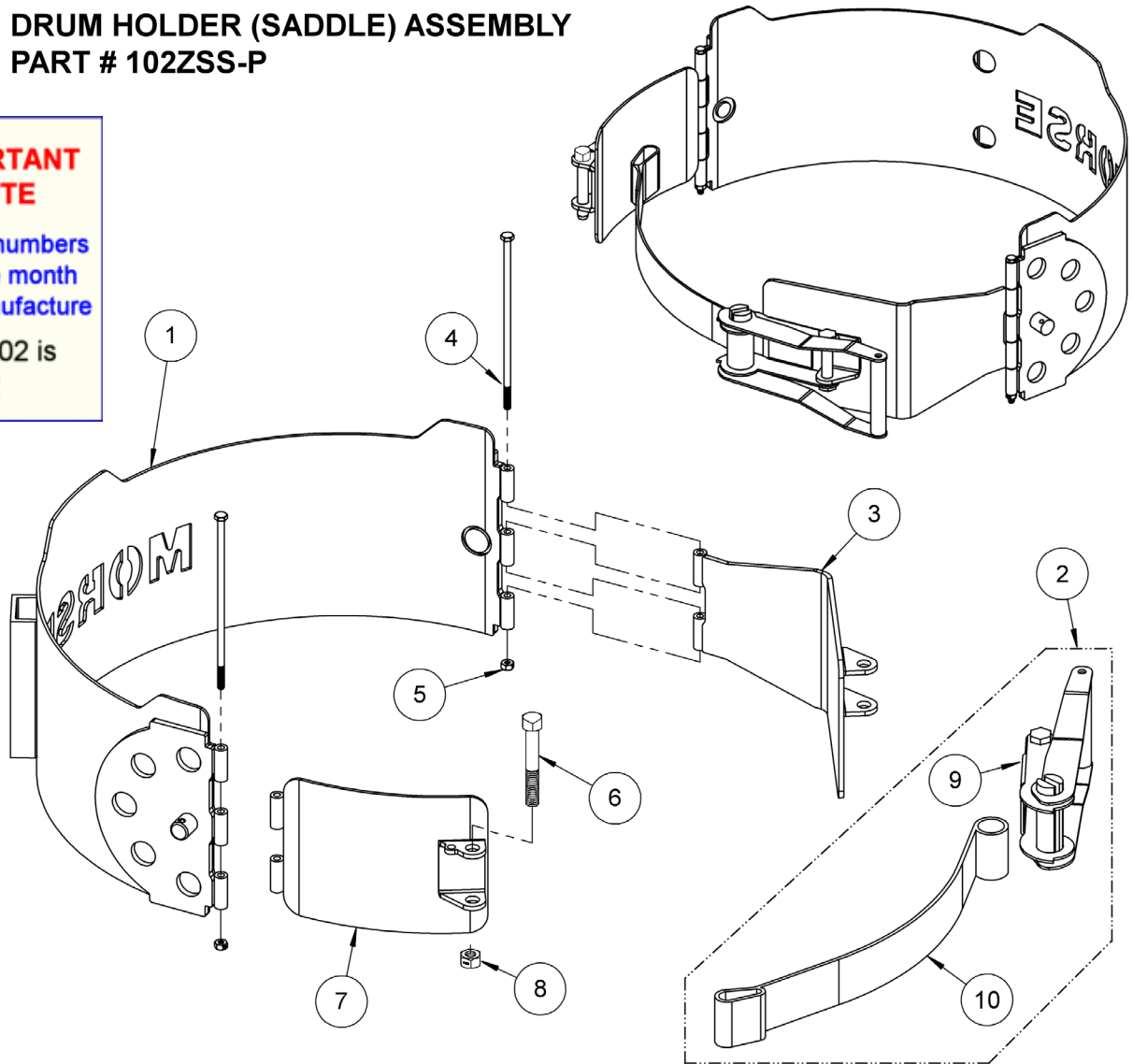


Parts Diagram for Part # 102ZSS-P Stainless Steel Drum Holder (Saddle) Assembly
Used on

- 82A-SS Series with Serial Number 0218 to ____ (MMYY)
- Model 80i-SS with Serial Number 0218 to ____ (MMYY)
- Model 85i-SS with Serial Number 0218 to ____ (MMYY)

DRUM HOLDER (SADDLE) ASSEMBLY
PART # 102ZSS-P

 **IMPORTANT NOTE**
4-Digit serial numbers are simply the month & year of manufacture
Example: 0802 is August 2002



| ITEM | PART# | DESCRIPTION | QTY. |
|------|----------|--------------------------------|------|
| 1 | 131ZSS-P | SADDLE WELD, 11GA, I-SS | 1 |
| 2 * | 4449SS-P | STRAP RATCHET ASM, SS, 2" X 3' | 1 |
| 3 | 5953SS-P | RATCHET PLATE WELD, 85I-SS | 1 |
| 4 | 1296SS-P | HHCS, 1/4-20 X 7-1/2, SS | 2 |
| 5 | 1518SS-P | NUT, 1/4-20 NYLON LOCK, SS | 2 |
| 6 | 6272SS-P | HHCS, 1/2-13 X 3-1/4" SS | 1 |
| 7 | 6012SS-P | HINGED LINK, STRAP, 102ZSS-P | 1 |
| 8 | 810SS-P | NUT, 1/2-13 NYLON LOCK, SS | 1 |
| 9 | 5498SS-P | RATCHET ONLY, SS, 4449SS-P | 1 |
| 10 | 5497-P | WEB STRAP, POLYESTER, 4449-P | 1 |

* Recommended spare parts