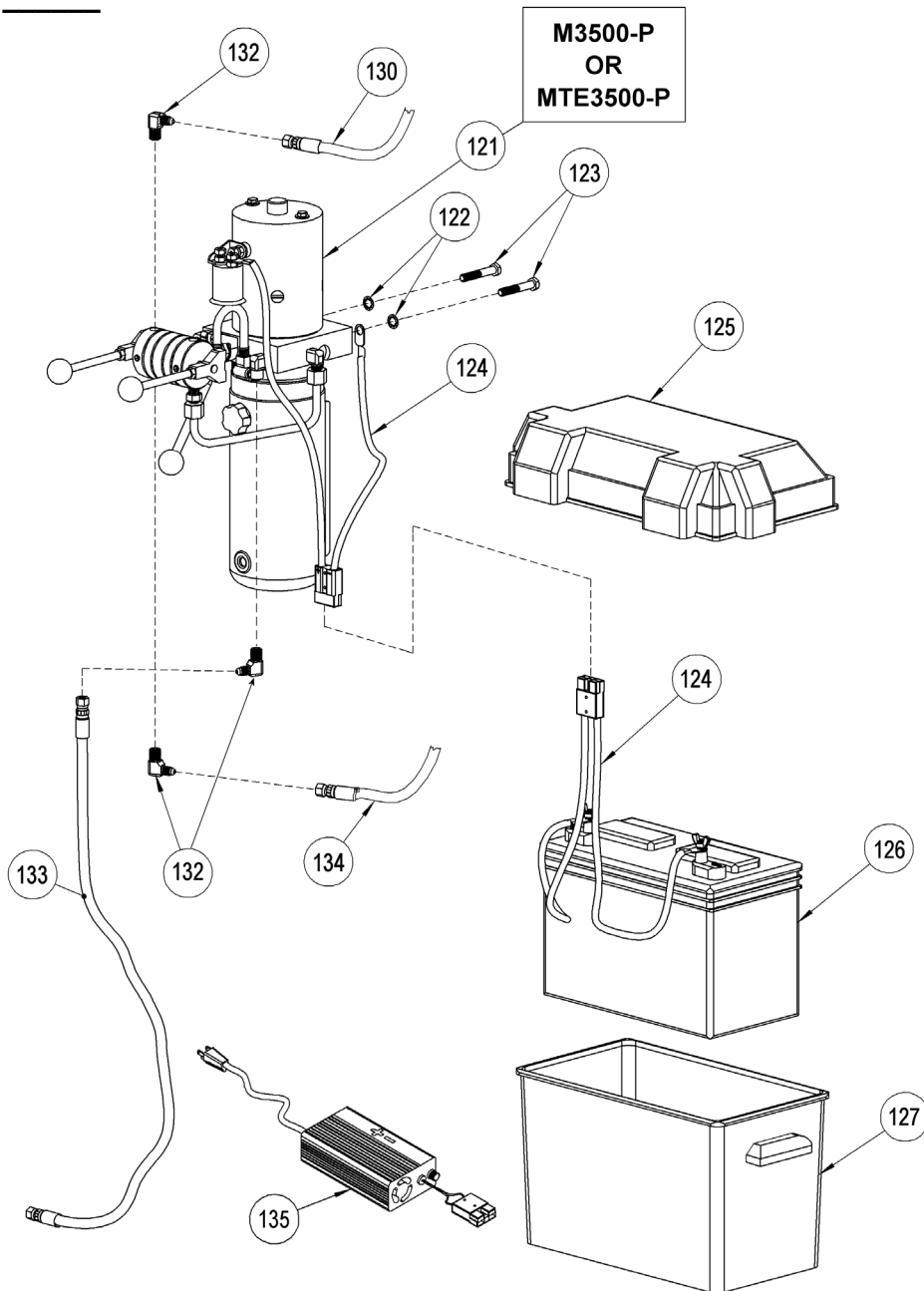


Parts Diagram for DC Power Lift and Tilt Components
Used on Morse Two-Stage, 102" MORStak Drum Rackers
with serial # 235161 to _____



ITEM	QTY.	PART #	DESCRIPTION
121	1	M3500-P	HYD POWER PACK, -115 (shown)
		MTE3500-P	HYD POWER PACK, -115 MTE
122	2	1474-P	WASHER, 3/8 SPLIT LOCK
123	2	82-P	HHCS, 3/8-16 X 2-1/4 GR2
124*	2	5475-P	HARNESS, CABLE, 30/30, 600
125	1	1728-P	TOP, BATTERY BOX, 400, 285A-BP
126	1	388-P	BATTERY, 12V DC

ITEM	QTY.	PART #	DESCRIPTION
127	1	1729-P	BOTTOM, BATTERY BOX, 400
130	2	3571-P	HYD HOSE ASM, 1X PT, 132"
132	3	765-P	HYD FIT, MALE ELBOW, FLARE 400
133	1	3573-P	HYD HOSE ASM, VERT, CYL, 45"
134	1	5477-P	HYD HOSE ASM, 48", PO CHECK
135	1	391-P	CHARGER 12V 50HZ 60HZ 100-240V

* Recommended spare parts