

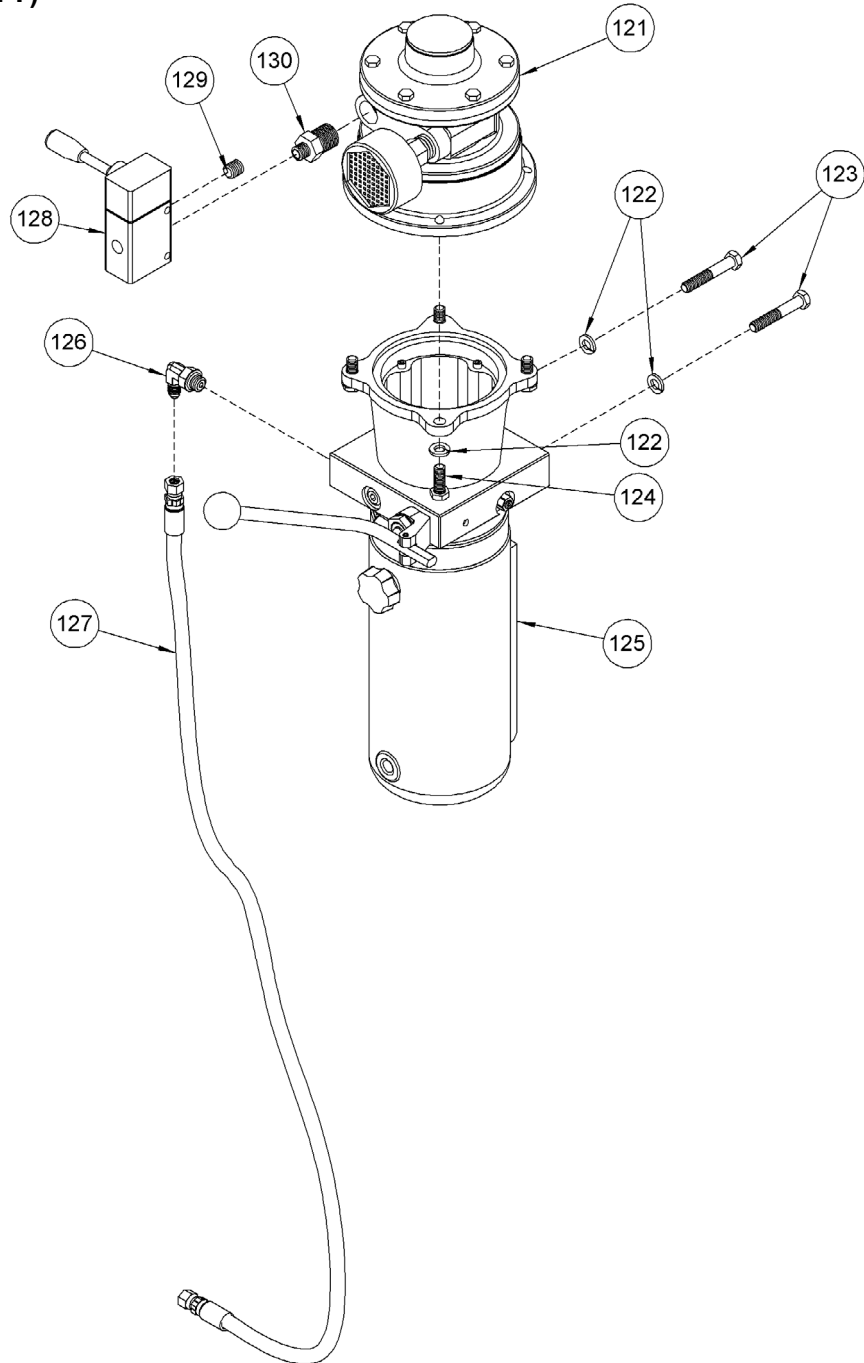
**Parts Diagram for Air Power Lift Components  
Used on Morse Model 410-124 Heavy-Duty Hydra-Lift Karrier  
with serial # 1210 to \_\_\_\_ (MMYY)**



**IMPORTANT  
NOTE**

4-Digit serial numbers  
are simply the month  
& year of manufacture

Example: 0802 is  
August 2002



ITEM	QTY.	PART #	DESCRIPTION
121	1	290-A-2P	MOTOR, 2HP, AIR, 56C
122	6	1474-P	WASHER, 3/8 SPLIT LOCK
123	2	82-P	HHCS, 3/8-16 X 2-1/4 GR2
124	4	1572-P	HHCS, 3/8-16 X 1 GR2
125	1	M4509-P	HYD POWER PACK, -120, -124

ITEM	QTY.	PART #	DESCRIPTION
126	1	3610-P	HYD FIT, MALE ELBOW, SAE
127	1	5180-P	HYD HOSE ASM, 28"
128	1	3632-P	VALVE, AIR MOTOR, 400, 500
129	1	3634-P	HYD FIT, PIPE PLUG, 1/4 HEX
130	1	332-P	HYD FIT, PIPE NIPPLE 1/2-1/4