

CONTENTS

- Assembly Instructions
- Parts List and Diagram

Model 160

4-Wheel Drum Truck

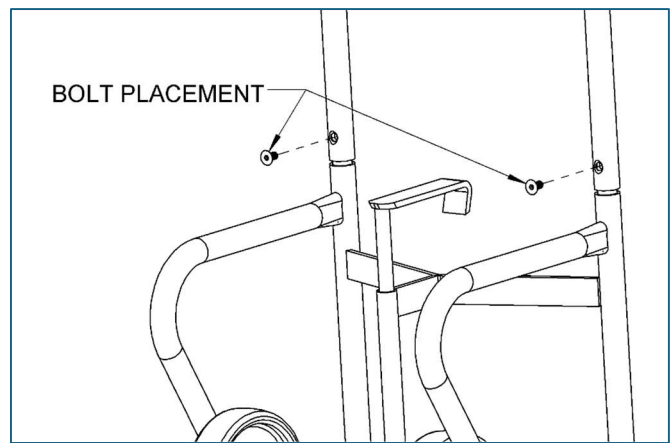
Wheels inside frame

Capacity: 1000 Lb. (454 kg)



Assembly Instructions

1. Insert Hook Weld (item 7) into tube of drum truck base with holes aligned.
2. Install handle onto drum truck base. Secure with 2 screws (item 11) using 7/32" hex wrench.

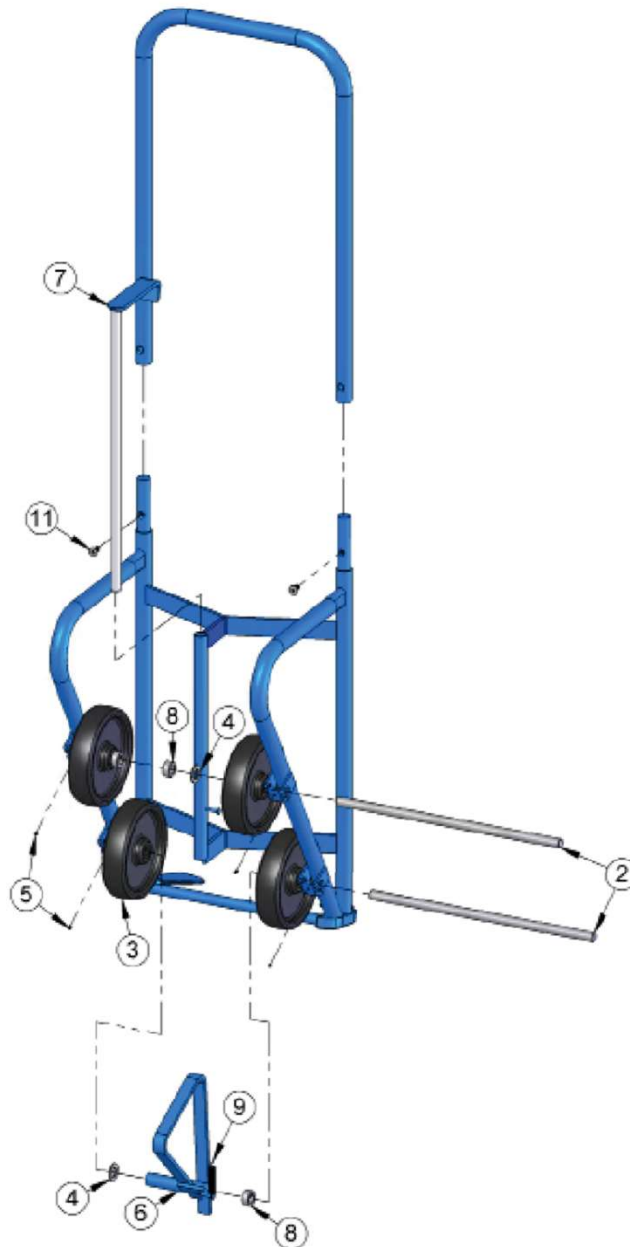


WARNING - This product can expose you to chemicals including barium sulfate, cobalt, titanium dioxide, and 2-methylimidazole, which are known to the State of California to cause cancer, and bisphenol-A, which is known to the State of California to cause birth defects or other reproductive harm. For more information go to www.P65Warnings.ca.gov

Model 160

Drum Truck

S/N 40000 to _____ or 1215 to ____ (MMYY)



ITEM NO.	PART NUMBER	DESCRIPTION	QTY.
2	1355-P	AXLE, 19.75", 160	2
3	87-P	WHEEL, MORTUF, 8", 3/4" BRG	4
4	55-P	WASHER, 3/4 SAE FL 1-1/2 OD	4
5	1000-P	SET SCREW, 1/4 - 20 X 1/4	4
6	1369-P	STAND WELD, 160	1
7	5941-P	HOOK WELD, 160	1
8	15-P	COLLAR, 3/4" ID	4
9	1114-P	SPRING, EXTENSION, 160	1
11	4685-P	SHCS, 3/8-16 X 3/4 FH	2