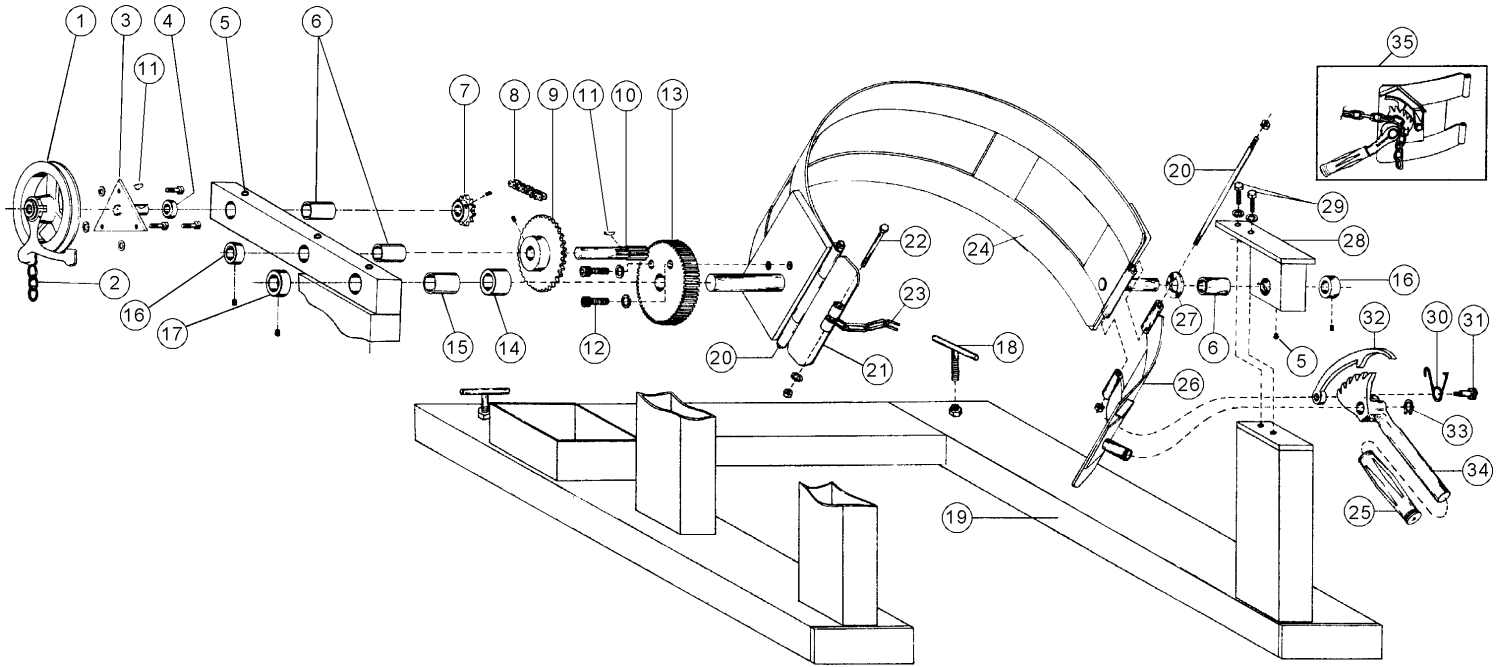


**PARTS LIST FOR 285 SERIES FORK LIFT-KARRIERS**  
**Serial Number 0981 to 0984 (MMYY)**

| ITEM | LETTER SUFFIX* | QTY | P/N     | DESCRIPTION                    |
|------|----------------|-----|---------|--------------------------------|
| 1    |                | 1   | 1-P     | CHAIN WHEEL #1-1/2 W/ GUIDE    |
| 2    |                | 1   | 2-285-P | PULL CHAIN, 1/0, 20' LENGTH    |
| 3    |                | 1   | 3-P     | TRIANGLE & SHAFT W/ BOLTS      |
| 4    |                | 1   | 4-P     | SPACER, CHAIN WHEEL, PRE 19-P  |
| 5    |                | 4   | 33-P    | ALEMITE GREASE FIT             |
| 6    |                | 3   | 7-P     | BEARING, 3/4" ID X 1-1/2"      |
| 7    |                | 1   | 11-P    | SPROCKET, #35 12T, 3/4" BORE   |
| 8    |                | 1   | 12-P    | CHAIN, ROLLER, #35 W/ MLINK    |
| 9    |                | 1   | 13-P    | SPROCKET #35 36T, 3/4" BORE    |
| 10   |                | 1   | 14-P    | GEAR, PINION, 7 TOOTH          |
| 11   |                | 2   | 735-P   | KEY, WOODRUFF, SIZE 9, ASA606  |
| 12   |                | 2   | 22-P    | 3/8 - 24 x 5/8" SHCS           |
| 13   |                | 1   | 23-P    | GEAR, SPUR, 72T, 1" HOLE       |
| 14   |                | 1   | 24-P    | SPACER, SPUR GEAR 1-1/16"      |
| 15   |                | 1   | 9-P     | BEARING, 1" ID 1-1/2" LONG     |
| 16   |                | 2   | 15-P    | COLLAR, 3/4" ID                |
| 17   |                | 1   | 16-P    | COLLAR, 1" ID                  |
| 18   |                | 2   | 58-P    | LOCK TEE SET SCREW, 285        |
| 19   | A              | 1   | 49-P    | ** BASE FRAME, 285A            |
| 19   | B              | 1   | 49B-P   | ** BASE FRAME, 285B            |
| 20   |                | 2   | 157-P   | HINGE PIN & NUTS, 3/8          |
| 21   |                | 1   | 150-P   | CHAIN HINGE PLT, 285 TYPE      |
| 22   |                | 1   | 155-P   | 3/8 - 16 X 2-1/2 HHCS GR 2     |
| 23   |                | 1   | 180-P   | CHAIN, CINCH, 3/16 ALLOY 33 LK |
| 24   | A              | 1   | 1427A-P | SADDLE CPT 285A, LONG IDLER    |
| 24   | B              | 1   | 1427B-P | ** SADDLE CPT 285B LONG IDLER  |
| 25   |                | 1   | 136-P   | HANDLE GRIP, 7/8" X 4-3/4"     |
| 26   |                | 1   | 159-P   | RATCHET HINGE PLATE ONLY, 3/8" |
| 27   |                | 1   | 55-P    | WASHER, 3/4 SAE FL             |
| 28   |                | 1   | 53-P    | ** BEARING BLOCK, 285, 285HD   |
| 29   |                | 2   | 57-P    | BEARING BLOCK BOLTS            |
| 30   |                | 1   | 169-P   | PAWL SPRING                    |
| 31   |                | 1   | 170-P   | 3/8" DIA X 5/8" SHOULDER SCREW |
| 32   |                | 1   | 168-P   | PAWL, WITH DRILLED HOLE        |
| 33   |                | 1   | 166-P   | SNAP RING, EXTERNAL, 5SSC-P 82 |
| 34   |                | 1   | 165-P   | RATCHET, MALLEABLE, FOR SADDLE |
| 35   |                | 1   | 159-PC  | RATCHET HINGE PLATE CPT, 3/8"  |

\* UNLESS OTHERWISE SPECIFIED, PARTS ARE FOR MODELS 285A & 285B.  
\*\* DISCONTINUED AND NO LONGER AVAILABLE. CONTACT FACTORY FOR RECOMMENDED REPLACEMENT.

**PARTS LIST for 285 Series Fork Lift-Karriers**  
**Serial # 0981 to 0984 (MMYY)**



**For replacement parts, please contact your Morse dealer.**

**When ordering parts, please specify:**

- Part number and description,
- Model number
- Serial number

**Find model number and serial number on metal name plate attached to frame.**