

CONTENTS

	Page
Receiving Procedures.	1
Warranty.	1
Safety Information.	1 - 2
Machine Description.	3 - 4
Accessories.	3
Assembly Instructions.	4
Operating Instructions.	5
Maintenance.	5
Dimensions to Calculate Lost Load.	6
Parts Lists and Diagrams.	7 - 8

Operator’s Manual
for Morse Super-Duty Forklift-Karrier

Model 285XGR
with serial number 414797 to _____

Receiving Procedures

Every Morse drum handler is inspected prior to shipping. However, damage may be incurred during transit.

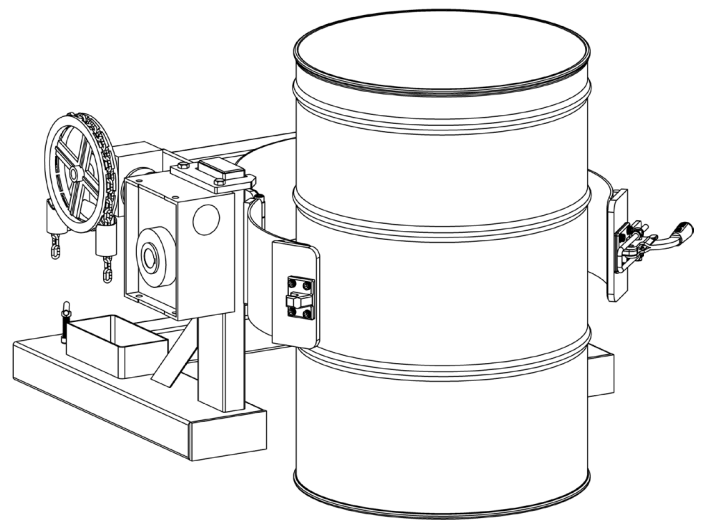
- Check for visible damage. If you choose to accept damaged freight, always sign noting the damage on the **Bill of Lading**.
- Document the damage and have the truck driver sign. We recommend keeping a digital camera at your receiving dock for this purpose.
- Open packages expeditiously to check the condition of the goods. There is only a 24 hour window to notify the carrier of any concealed damage.
- Immediately **report all damage to the shipping company!** Then you may contact Morse for assistance with your freight claim.
- Morse Manufacturing will not be held responsible for any damaged freight that is not signed for as damaged.

Limited 2 Year Warranty

Morse drum handling equipment is guaranteed against defects in workmanship or materials for two years when used properly within its rated capacity. Warranty does not cover wear from normal use or damage from accident or abuse. Motors and other purchased parts carry the warranties of their manufacturers.

For warranty claims, contact your Morse Dealer to obtain a return authorization number, and for return freight advice. Return freight must be prepaid.

In all instances, liability is limited to the purchase price paid or to repairing or replacing the product. Customer assumes liability for any modifications, unauthorized repairs or parts substitution.



Safety Information

While Morse Manufacturing Co. drum handling equipment is engineered for safety and efficiency, a high degree of responsibility must be placed upon the machine operator to follow safe practices, based primarily on common sense, upon which true safety depends.

Failure to follow the safety precautions in this manual can result in personal injury or property damage. Observe the same precautions as with similar machinery where carelessness in operating or maintenance is hazardous to personnel. Carefully read the safety precautions below and throughout this manual.



morsedrum.com



service@morsedrum.com






(315) 437-8475



103 Kuhn Rd.
Syracuse, NY, 13208 U.S.A.

Operator's Manual for
Morse Super-Duty Forklift-Karrier with 2500 Lb. Capacity - Model 285XGR
with serial number 414797 to _____

Safety Information (continued)

	DANGER - Indicates a situation which, if not avoided, will result in serious injury or death. This signal word is limited to the most extreme situations.
	WARNING - Indicates a situation which, if not avoided, could result in serious injury or death.
	CAUTION - Indicates a situation which, if not avoided, can result in damage to the machine.



CAUTION – Do Not Transport with Drum Raised. Always lower the drum holder to lowest position before transporting.



WARNING - The Forklift-Karrier is designed to handle one drum of the types listed at the top of page 3. Machine Description. DO NOT attempt to handle any other type of drum or object. DO NOT exceed the weight capacity of 2500 Lb. (1134 kg).



WARNING - Do Not Modify the Unit.
Under no circumstances should any modifications be made to the Morse machinery without factory authorization. Any modifications may void the warranty. This machine was designed to perform a specific job and alterations may result in injury to operator or machine.



WARNING - No Loose Fitting Clothing
Wear close-fitting clothing and safety equipment appropriate to the job. Loose fitting clothing may become caught on the machinery and cause severe personal injury.



CAUTION - Wear Safety Shoes
Wear safety shoes with non-slip soles and hard toe protection.



CAUTION: DO NOT allow drum to impact on floor, ground, or dumping station, etc.



WARNING: This product can expose you to chemicals including barium sulfate, cobalt, titanium dioxide, and 2-methylimidazole, which are known to the State of California to cause cancer, and bisphenol-A, which is known to the State of California to cause birth defects or other reproductive harm.
For more information go to www.P65Warnings.ca.gov

Operator's Manual for
Morse Super-Duty Forklift-Karrier with 2500 Lb. Capacity - Model 285XGR
with serial number 414797 to _____

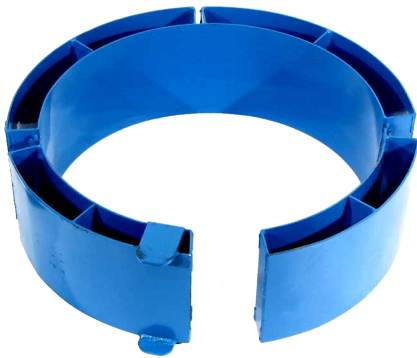
Machine Description

Model 285XGR Super-Duty Forklift-Karrier is designed to lift, transport, and dispense a ribbed 55-gallon (210 liter) steel drum 22.5" (57 cm) in diameter.

Maximum full-drum capacity is 2500 Lb. (1134 kg). Capacity is derated to 1250 Lb. (567 kg) for a half-full drum. Half-full rating is based on the tilt mechanism's capacity for handling an unbalanced bottom-heavy drum.



ACCESSORIES
to Install on EXISTING Drum Handler



Model # 55/30-19GR
Diameter Adapter
for 30-gallon (114 liter) drum. Insert Diameter Adapter into drum holder to handle a 19" (48.3 cm) diameter steel drum.



Kit # 2690GR-P
Hand Wheel
10" (25.4 cm) diameter Hand Wheel with speed knob. Replaces standard pull chain to turn drum.

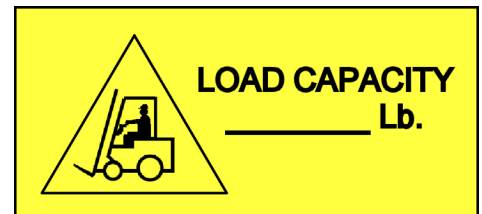
Operator's Manual for
Morse Super-Duty Forklift-Karrier with 2500 Lb. Capacity - Model 285XGR
with serial number 414797 to _____

Assembly Instructions

1. Remove the following items from small cardboard box packaged with 285XGR: chain wheel, chain guide with pull chain, and roll pin.
2. Slide chain wheel assembly onto shaft with chain guide facing outward, as pictured in parts diagram.
3. Insert 3/16 roll pin into the chain wheel on the input shaft of the speed reducer.
4. Prior to initial use, inspect all moving parts and test rotation of chain wheel and saddle assembly. Perform necessary load test, inspections, operator training, etc.

Important

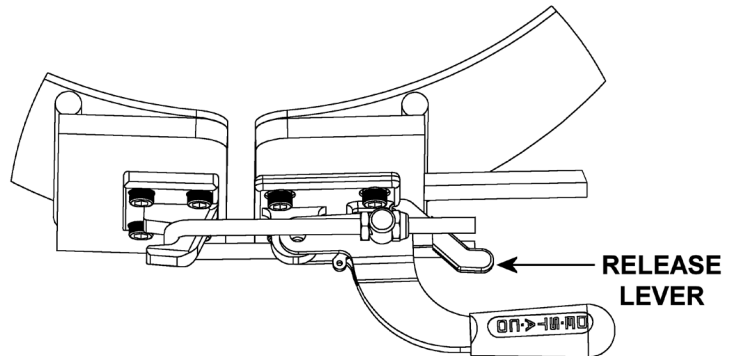
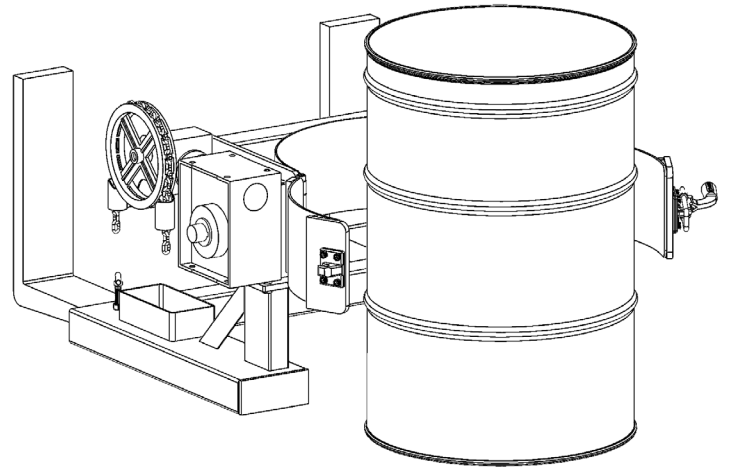
1. Review Material Safety Data Sheet(s) for material(s) in the drum(s) and take all necessary precautions. Safety shoes, work gloves, hard hat and other personal protective devices are recommended.
2. Please read all instructions thoroughly before attempting to operate your new Morse drum handler.
3. Model 285XGR has a maximum capacity rating of 2500 Lb. (1134 kg) full drum and 1250 Lb. (567 kg) half-full drum and is designed to lift, move and pour a 55-gallon (210 liter) steel drum. DO NOT exceed these ratings. Exceeding these ratings or handling drums other than those mentioned above is unsafe and could result in equipment damage, excessive wear or awkward handling.
4. When loading, unloading, operating, or maintaining your MORSE drum handler, always use care and good judgment. Maintain secure footing and a firm hold. Keep hands and loose clothing away from all moving parts. Never allow anyone to be below any part of a raised drum handler or drum. Read operating instructions and review the pictures in the sales brochure before operation.
5. Because model 285XGR is a front-end attachment for a forklift, OSHA recommends that "... the truck (forklift) be marked to identify the attachment(s) and show the approximate weight of the truck and attachment combination at maximum elevation with load laterally centered." See center of gravity dimensions of model 285XGR on page 5 for calculating lost load on your equipment.
6. Prior to initial use, inspect all moving parts and test rotation of chain wheel and drum holder (saddle) assembly. Inspect saddle assembly for proper operation. Perform necessary load test, inspections, operator training, etc.



Operator's Manual for
Morse Super-Duty Forklift-Karrier with 2500 Lb. Capacity - Model 285XGR
with serial number 414797 to _____

Operating Instructions

1. Before sliding forklift forks into the fork tubes, adjust forks to an inside spread of 24.5" (62.2 cm) minimum. Lock forks into position on the forklift carriage.
2. Drive the forklift forward to slip the forks into the fork tubes. Tighten tee screws to secure the Forklift Karrier to the forks. Transport Forklift Karrier to drum to be handled.
3. Drive the forklift with the Forklift Karrier near floor level to position the saddle band around the middle of the drum between the ribs.
4. Open the toggle clamp by activating the release lever and swing both hinge bands to the open position. Push the Forklift-Karrier against the drum to surround the drum with the saddle band.
5. Close the two hinged bands around the drum and latch the toggle clamp to secure the drum.
6. Remove pull chain from chain box on base frame and place end of loop near operator's seat.
7. Raise forks to clear the floor and transport drum in vertical position to dispensing location.
8. To pour drum: pull on chain, rotating drum to angle required for dispensing. To control the pouring angle of the drum, pay out one side of chain and pull the other side to prevent the drum from free-wheeling.
9. When dispensing is completed, rotate the drum back to vertical and return drum. While transporting, ensure that the drum is raised away from the floor to prevent the drum bottom from interfering with a pallet or other obstacle.
10. Remove the drum by activating the release lever and opening the toggle clamp. Swing both hinged bands open. Drive the forklift away from the drum.



Maintenance

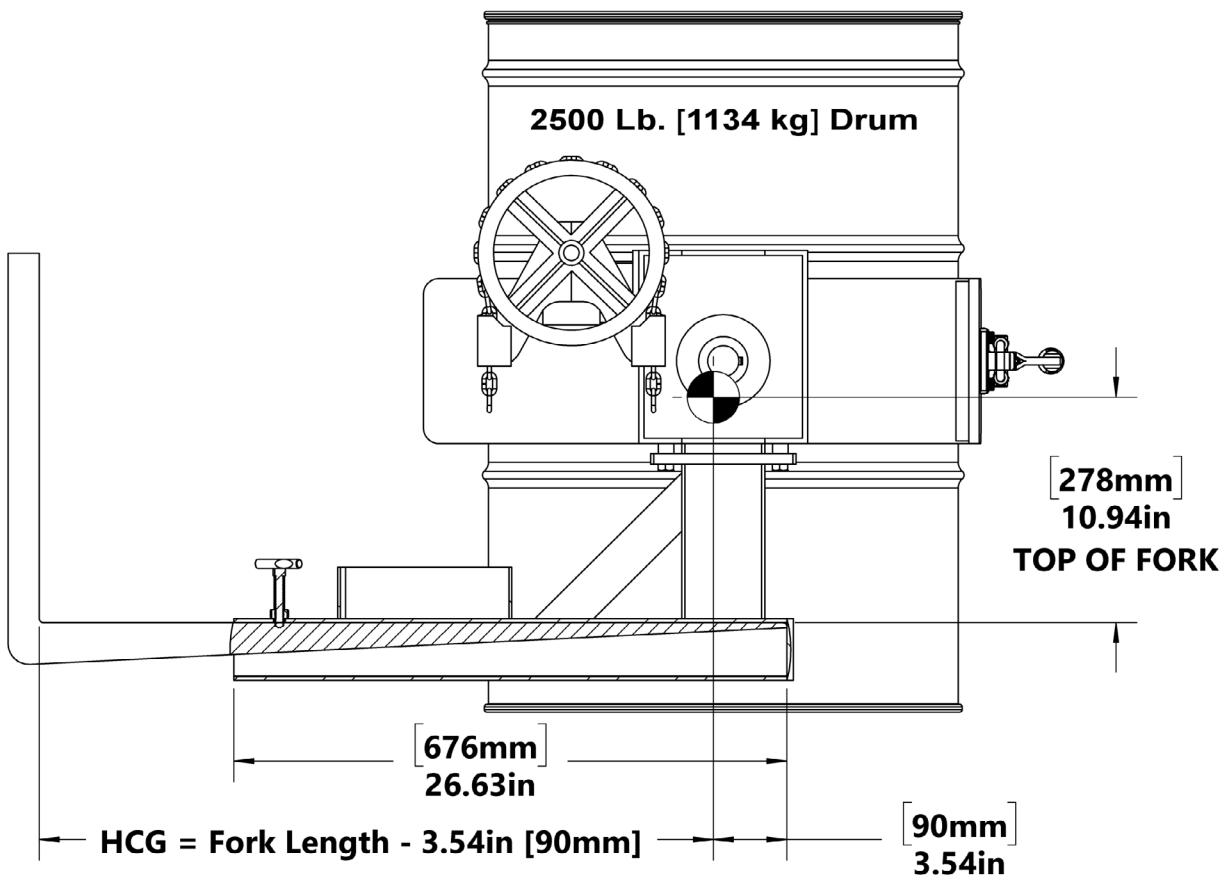
Periodic inspection for the general condition of structural and mechanical components is imperative for safe and efficient operation.

1. Periodically inspect all moving parts, framework, drum holder and contact areas for signs of wear, fatigue, or loosening. Tighten, adjust, or replace parts as necessary to prevent failure and maintain proper function.
2. Oil or grease all moving parts.
3. Worn or damaged parts must be properly replaced with the correct, genuine Morse parts.
4. The speed reducer has been filled and tested prior to shipment. No maintenance is required.

Operator's Manual for
Morse Super-Duty Forklift-Karrier with 2500 Lb. Capacity - Model 285XGR
with serial number 414797 to _____

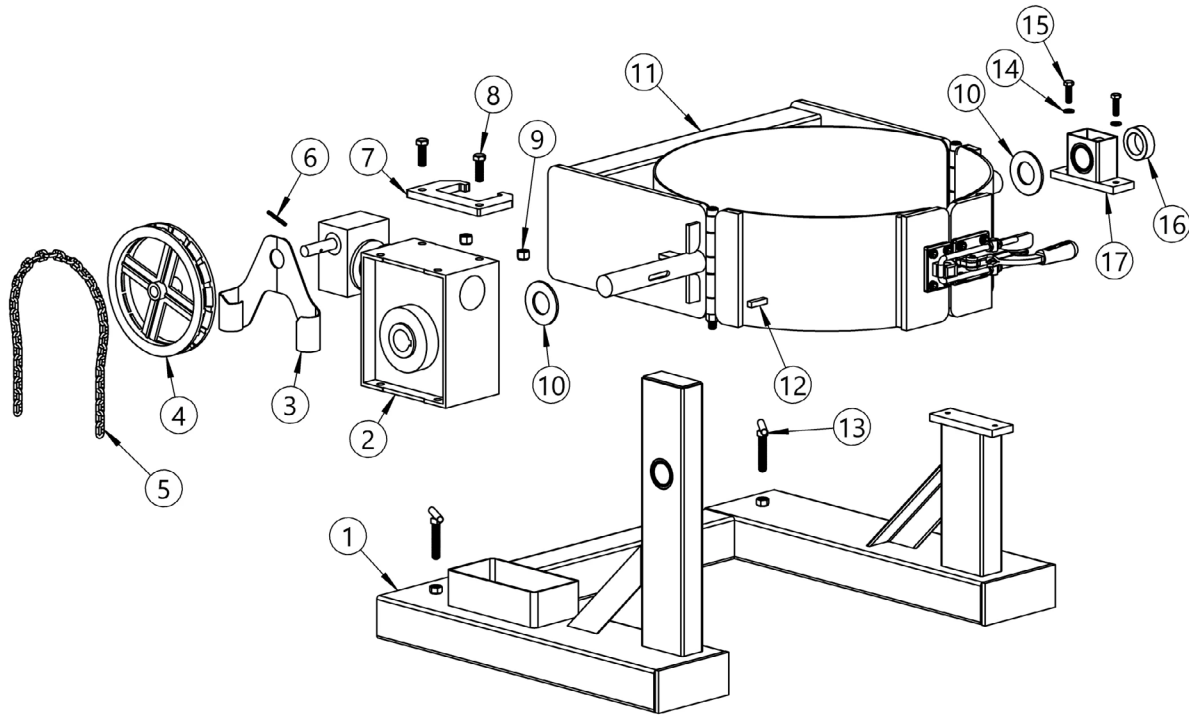
MORSE MODEL 285XGR

Center of gravity shown for Morse attachment combined with max drum: 2,746lb [1245kg]



(DIMENSIONS ASSUME FORKS ARE TOUCHING FORK TUBE END CAPS.)

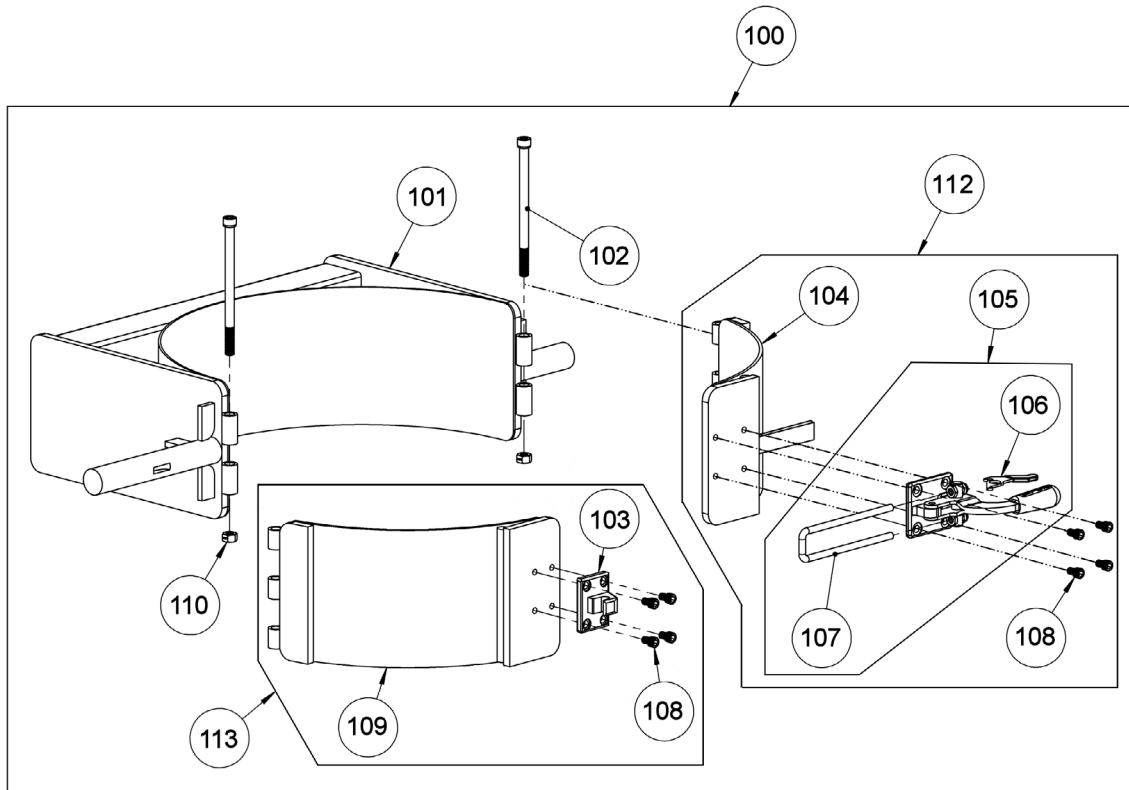
Operator's Manual for
Morse Super-Duty Forklift-Karrier with 2500 Lb. Capacity - Model 285XGR
with serial number 414797 to _____



ITEM NO.	PART NUMBER	DESCRIPTION	QTY.
1	6834-P	BASE FRAME GR XGR	1
2	6287-P	SPEED REDUCER, A-GR, 150:1	1
3	5245-P	GUIDE, POCKET CHAIN WHEEL	1
4	1303-P	POCKET CHAIN WHEEL, 3/4 BORE	1
5	3-285-P	CHAIN, PULL, POCKET 20' LENGTH	1
6	5269-P	ROLL PIN, 3/16 X 1-3/4	1
7	5940F-P	TORQUE PLATE, 285A-GR XGR	1
8	2172-P	HHCS, 1/2-13 X 1-1/2 GR5	2
9	6266-P	NUT, 1/2-13 NYLON LOCK	2
10	540-P	WASHER, 1-1/2 SAE FL 3" OD	2
11	4511-P	SADDLE ASM, XGR, 3PC, 2500LB	1
12	6812-P	KEY, 3/8" X 1.5", GR XGR	1
13	58-P	SET SCREW, LOCK TEE, 285	2
14	1474-P	WASHER, 3/8 SPLIT LOCK	2
15	535-P	HHCS, 3/8-16 X 1-1/4 GR 5 ZINC	2
16	570-P	COLLAR, 1-1/2" ID	1
17	595-P	IDLER BEARING ASM, 285A-GR	1

Operator's Manual for
Morse Super-Duty Forklift-Karrier with 2500 Lb. Capacity - Model 285XGR
with serial number 414797 to _____

Drum Holder (Saddle Assembly) - Part # 4511-P



ITEM #	QTY.	PART #	DESCRIPTION
100	1	4511-P	SADDLE ASM, XGR, 3PC, 2500LB
101	1	4512-P	SADDLE WELD, XGR, 2500LB (NOT SOLD SEPARATELY)
102	2	6294-P	SHCS, 1/2-13 X 8"
103	1	3067-P	CATCH, 375-R TOGGLE, CAMLOCK
104	1	4516-P	FRONT BAND WELD, CLAMP, XGR
105*	1	4187-P	TOGGLE CLAMP, W/ 6" U, GR
106	1	3601-P	RELEASE LEVER, 2984-P
107	1	4682-P	U-BOLT, 6", 375-R CLAMP
108	8	22-P	SHCS, 3/8-24 X 5/8
109	1	4515-P	FRONT BAND WELD, CATCH, XGR
110	2	6266-P	NUT, 1/2-13 NYLON LOCK
112	1	4514-P	FRONT BAND CPT, CLAMP, XGR
113	1	4513-P	FRONT BAND CPT, CATCH, XGR

* Recommended spare parts.