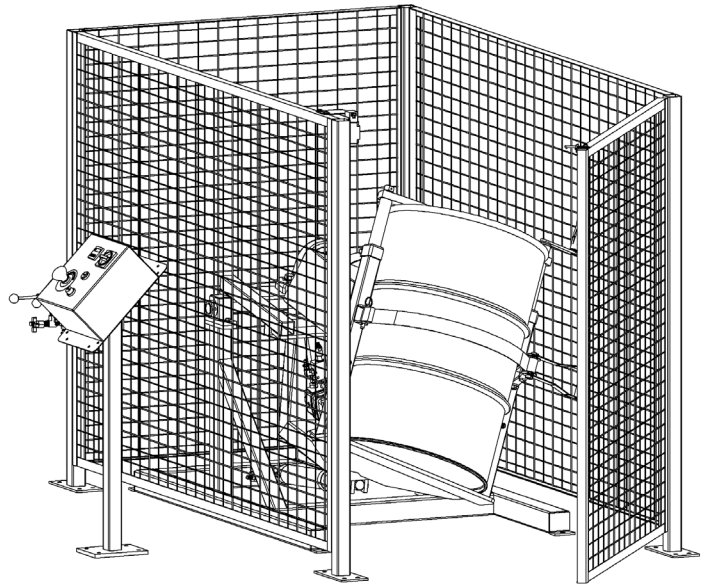


CONTENTS

	Page
Receiving Procedures.	1
Warranty.	1
Safety Information.	1 - 2
Machine Description.	3
Installation.	4
Operating Instructions.	5 - 6
Maintenance.	6
Parts Lists and Diagrams.	6 - 15
Specifications.	16
Declaration of Conformity.	17

Operator’s Manual
for Morse CE Marked Tilt-To-Load
Drum Rotators
310-CE Series

Serial Number 315601 to _____



Receiving Procedures

Every Morse drum handler is inspected prior to shipping. However, damage may be incurred during transit.

- Check for visible damage. If you choose to accept damaged freight, always sign noting the damage on the **Bill of Lading**.
- Document the damage and have the truck driver sign. We recommend keeping a digital camera at your receiving dock for this purpose.
- Open packages expeditiously to check the condition of the goods. There is only a 24 hour window to notify the carrier of any concealed damage.
- Immediately **report all damage to the shipping company!** Then you may contact Morse for assistance with your freight claim.
- Morse Manufacturing will not be held responsible for any damaged freight that is not signed for as damaged.

Limited 2 Year Warranty

Morse drum handling equipment is guaranteed against defects in workmanship or materials for two years when used properly within its rated capacity. Warranty does not cover wear from normal use or damage from accident or abuse. Motors and other purchased parts carry the warranties of their manufacturers.

For warranty claims, contact your Morse Dealer to obtain a return authorization number, and for return freight advice. Return freight must be prepaid.

In all instances, liability is limited to the purchase price paid or to repairing or replacing the product. Customer assumes liability for any modifications, unauthorized repairs or parts substitution.

Safety Information

While Morse Manufacturing Co. drum handling equipment is engineered for safety and efficiency, a high degree of responsibility must be placed upon the machine operator to follow safe practices, based primarily on common sense, upon which true safety depends.

Failure to follow the safety precautions in this manual can result in personal injury or property damage. Observe the same precautions as with similar machinery where carelessness in operating or maintenance is hazardous to personnel. Carefully read the safety precautions below and throughout this manual.

Review the Material Safety Data Sheet(s) for the material(s) in the drum(s) and take all necessary precautions. Safety shoes, work gloves, hard hat and other personal protective devices are recommended.

Prior to initial use, inspect all moving parts and test rotation of drum holder. Inspect drum holder for proper operation. Perform necessary inspections, operator training, etc.



morsedrum.com



service@morsedrum.com






(315) 437-8475



103 Kuhn Rd.
Syracuse, NY, 13208 U.S.A.

Operator's Manual for Morse 310-CE Series CE Marked Tilt-To-Load Drum Rotators
Serial Number 315601 and up

Safety Information (continued)

	DANGER - Indicates a situation which, if not avoided, will result in serious injury or death. This signal word is limited to the most extreme situations.
	WARNING - Indicates a situation which, if not avoided, could result in serious injury or death.
	CAUTION - Indicates a situation which, if not avoided, can result in damage to the machine.



DANGER - Watch Out for Pinch Points. Stay clear of moving parts. Do Not Stand Near any Part of a Rotating Drum or Drum Holder. Operator should remain directly in front of the control station while operating the rotator (see figure on page 3). Morse CE Marked Drum Rotators comply with OSHA subpart O, 1910.212 - "General requirements for all machines." "Revolving drums, barrels, and containers shall be guarded by an enclosure which is interlocked with the drive mechanism, so that the barrel, drum, or container cannot revolve unless the guard enclosure is in place." (A safety enclosure is included with each CE Marked MORSE drum rotator.)



WARNING - The 310-CE Series is designed to rotate a steel, plastic or fiber drum weighing up to 800 Lb. (363 kg), ranging from 45.7 to 59.7 cm (18" to 23.5") in diameter and from 73.7 to 94 cm (29" to 37") in height. DO NOT attempt to handle any other type of drum or object. DO NOT exceed the weight capacity of 363 kg (800 Lb.).



WARNING - Level Floors Only. For operation only on clean, level floors of suitable bearing capacity. Do not use on sloped surfaces, ramps, irregular or debris strewn floors.



WARNING - Properly Mount to Floor. Do Not put into service without proper floor mounting and leveling. Use the four mounting holes in each corner of the base to anchor to floor.



WARNING - Do Not Modify the Unit. Under no circumstances should any modifications be made to the Morse machinery without factory authorization. Any modifications may void the warranty. This machine was designed to perform a specific job and alterations may result in injury to operator or machine.



WARNING - No Loose Fitting Clothing. Wear close-fitting clothing and safety equipment appropriate to the job. Loose fitting clothing may become caught on the machinery and cause severe personal injury.



WARNING - Hydraulic Fluid Under Pressure Can Be Hazardous. Escaping hydraulic fluid under pressure can penetrate the skin, causing serious injury. Avoid the hazard by relieving pressure before disconnecting hydraulic lines. Keep hands and body away from pinholes and nozzles which eject fluid under high pressure. Use a piece of cardboard to search for leaks. If an accident occurs, see a doctor immediately and inform them of the nature of the accident.



CAUTION - Wear safety shoes with non-slip soles and hard toe protection.



CAUTION: DO NOT allow drum to impact on floor.



WARNING: This product can expose you to chemicals including barium sulfate, cobalt, titanium dioxide, and 2-methylimidazole, which are known to the State of California to cause cancer, and bisphenol-A, which is known to the State of California to cause birth defects or other reproductive harm. For more information go to www.P65Warnings.ca.gov

**Operator’s Manual for Morse 310-CE Series CE Marked Tilt-To-Load Drum Rotators
 Serial Number 315601 and up**

Machine Description

The Morse 310-CE Series CE Marked Tilt-To-Load Drum Rotators are designed to receive an upright steel, plastic or fiber drum at floor level, hydraulically tilt up to clear the floor, and rotate the drum “corner-over-corner” between 4 and 16 RPM. The maximum full drum capacity is 363 kg (800 Lb.). Capacity is derated to 181 kg (400 Lb.) for a half-full drum. Half-full Capacity is an indication of the capacity for tilting a bottom-heavy drum. A partially full drum with an unbalanced and shifting load is harder to tilt than a full drum.

MORSE
 Mfg. Co., Inc.
 E. Syracuse, NY

800 Lb.
 (363 kg) **Max.**
 Capacity

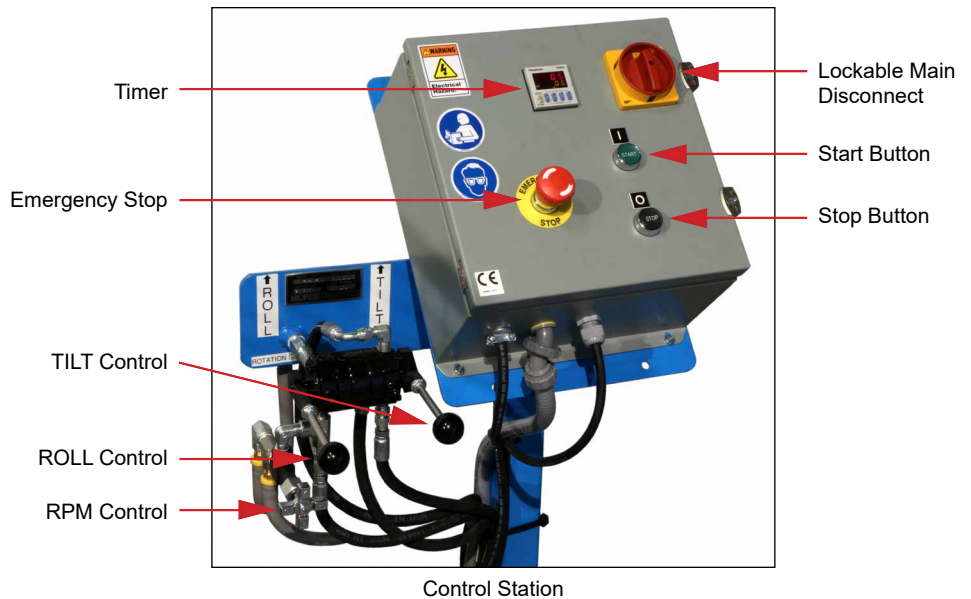
The Specialist In Drum Handling Equipment

Made in U.S.A.

Controls

There are two powered functions for the operator to control. Each function is controlled separately by levers mounted on the control station (shown right).

1. The “TILT” function, for vertical positioning of the drum holder. The lever on the right side is the “TILT” control valve. Raising the lever causes the drum holder to rise. Lowering the lever will lower the drum holder.
2. The “ROLL” function, or the rotation of the drum holder. The lever on the left side is the “ROLL” control valve. Raising this lever causes the drum holder to rotate. Lowering the lever away from the operator will stop the drum holder from rotating. The rotation speed can be varied with the flow control valve (item 13 on page 9). Turn the valve clockwise to increase speed up to a nominal 16 RPM, counterclockwise to decrease speed down to a nominal 4 RPM.



Drum Holder

The drum holder is the component on the CE Marked Tilt-To-Load Drum Rotator that securely holds the drum for rotating. The drum holder features the web strap and ratchet mechanism for tightening the drum at the middle and two top clamps for holding the drum end-to-end.

Operator's Manual for Morse 310-CE Series CE Marked Tilt-To-Load Drum Rotators Serial Number 315601 and up

Machine Unpacking

Carefully remove the top and sides of the crate covering the machine so as not to damage painted surfaces, electrical or hydraulic components. Inspect the machine for visible damage. If damage is noted, follow receiving procedure on page 1. Remove the (4) lag screws connecting the machine base to the pallet. Remove machine from pallet by lifting 7.62 cm (3") diameter drum holder shaft. Attach a strap to an overhead crane and raise slowly, as the machine will have a tendency to tilt (see figure 1).

Installation / Assembly Instructions

- The base has four holes spaced 91.44 wide x 151.13 cm long (36" x 59.5"). Morse recommends the rotator be secured to the floor using 1.58 x 7.62 cm (5/8" x 3") lag bolts (not included).
- Install enclosure and safety interlock around drum rotator (see enclosure instructions). Drum rotator must automatically turn off when enclosure door is opened.
- **IMPORTANT: BEFORE Operation**
 - Machine is shipped with hydraulic fluid.
 - BEFORE operation, REMOVE the **RED** shipping plug from the hydraulic reservoir. REPLACE with supplied **BLACK** breather.
 - Install hydraulic levers.
- CE Marked Tilt-To-Load Rotators are shipped filled with hydraulic fluid (Dexron 3 or equivalent).
- Control Station - Making Connections:
 - Drum rotator is shipped with the motor wired to the control box. An electrician needs to install power supply to the control box according to local codes.
 - Jog the motor to check rotation. Motor fan must turn clockwise.
 - To reverse rotation if necessary
 - For 3 phase motors: interchange any two input leads.
 - For 1 phase motors: interchange wires 5 and 8 in junction box.

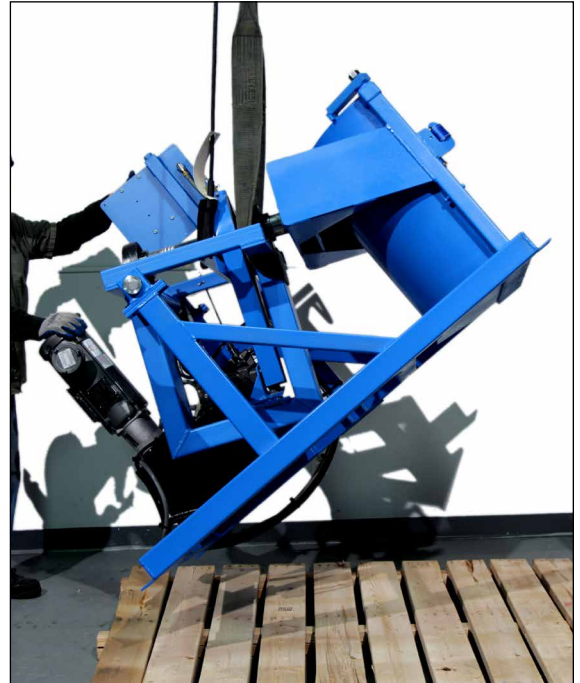


Figure 1: 310-CE Lifting Point

Important

When loading, unloading, operating, or maintaining your MORSE drum handler, always use care and good judgment. Maintain secure footing and a firm hold. Keep hands and loose clothing away from all moving parts. Never allow anyone to be below any part of a raised drum handler or drum. Read operating instructions and review the pictures in the sales brochure before operation.

Operator's Manual for Morse 310-CE Series CE Marked Tilt-To-Load Drum Rotators
Serial Number 315601 and up

Loading a Drum

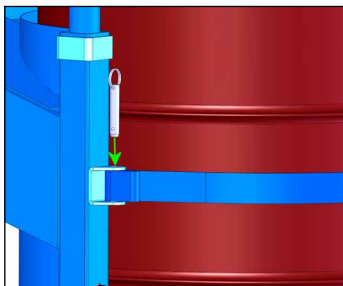
1. With the drum holder in the lowered position, the bottom loading plate will be slightly above the floor. Swing the hinged ratchet plate clear of the drum opening. Loosen the top clamps to the full open position.
2. A variety of drum handling methods can be used to set the drum into the drum holder. Ensure that the drum is fully seated against the back of the drum holder.



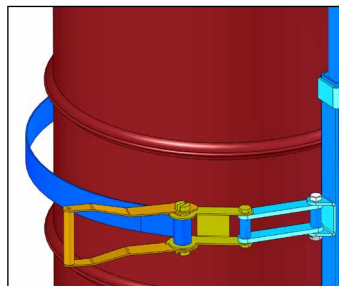
Load drum with drum truck



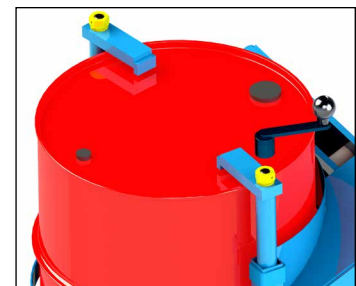
Load drum with hoist attachment



3. Drape the web strap across the face of the drum, place strap loop between clevis and secure with pin.



4. Operate ratchet to tighten strap around drum.



5. Turn the top clamps until they tighten against top of drum. Then remove hand crank BEFORE rotating drum.

Rotating a Drum

1. After ensuring that the drum is securely fastened into the drum holder, turn the motor on to activate the hydraulics (for the air motor version, open the air shutoff ball valve).



2. Raise the drum to the top position by raising the "LIFT" lever, on the right.

Note: There is an interlock switch built into the tilt frame which is intended to prevent rotating when the drum holder is not properly positioned at it's highest lift point. The true safety of this operation, however, depends on the operator correctly positioning the drum holder, and verifying that the tilt frame is fully raised.



DANGER - It is critical that the drum holder assembly is fully raised BEFORE rotating. If the drum holder is not in the fully raised position when rotating, it can interfere with the floor and frame, causing severe damage to equipment and/or serious injury or death

3. To begin rotating, raise the "ROTATE" lever.



4. The drum rotation speed can be varied with the metering valve. Turn the valve clockwise to increase speed up to 20 RPM, counter-clockwise to decrease speed down to 5 RPM.

Alternate method on the air motor version: With the air shutoff ball valve in the OFF position, raise the ROTATE valve to the ROTATE position. Then, slowly open the air shutoff ball valve to begin the rotation. This can allow for more control over the speed of rotation.



Operator's Manual for Morse 310-CE Series CE Marked Tilt-To-Load Drum Rotators
Serial Number 315601 and up

Unloading a Drum

1. Ensure the drum is in vertical upright position to unload.
2. Squeeze the ratchet release lever and open all the way to unlock, then release the tension on the strap. Allow enough slack in the strap in order to remove strap from ratchet.
3. Loosen top clamps and swing clear of drum.
4. Remove drum with appropriate drum handling equipment.

Preventative Maintenance

Periodic inspection for the general condition of structural and mechanical components is imperative for safe and efficient operation.

Monthly

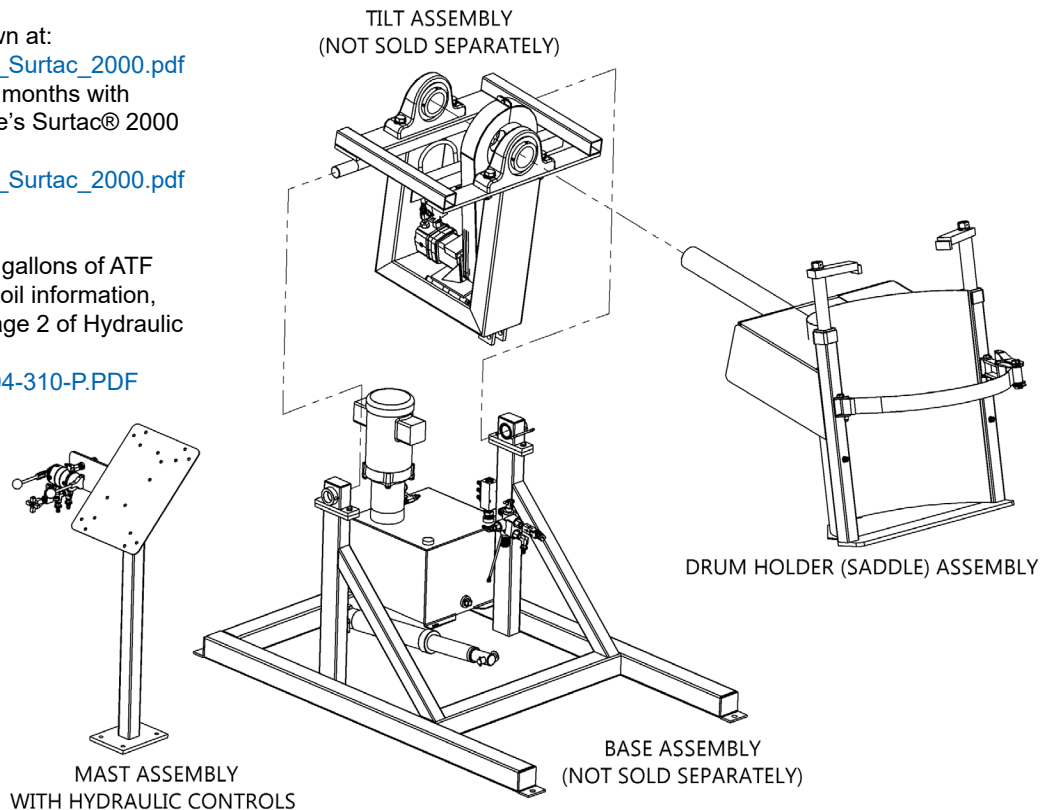
- Inspect the hydraulic system for oil drips, hose damage, or other signs of wear. Inspect the level and condition of the hydraulic fluid. Hydraulic fluid level should be within a 1/2" of the top of the reservoir when the cylinder is in the retracted position. Replace any parts that show signs of wear.
- Inspect all moving parts, framework, ratchet, web strap, fasteners and contact areas for signs of wear, fatigue, or loosening. The web strap should be removed from service and replaced if any of the following are visible:
 - Acid or caustic damage
 - Melting or charring of any part of the strap
 - Holes, tears, cuts, snags or embedded articles
 - Broken or worn stitching in load bearing splices
 - Excessive abrasive wear

Every 6 to 12 Months in Ordinary Environment (monthly in dirty conditions)

- Lubricate all moving parts.
- Pillow Block Bearings. See Bearing Lubrication Sheet for grease types and fill amounts at: https://morsedrum.com/ops/2654-P_bearing-grease.pdf
- Drive chain: Grease with multiservice lubricant such as Whitmore's Surtac® 2000 HD shown at: https://morsedrum.com/ops/MSDS_Surtac_2000.pdf
- Clamp Screws: Grease every 6-12 months with multiservice lubricant e.g. Whitmore's Surtac® 2000 HD shown at: https://morsedrum.com/ops/MSDS_Surtac_2000.pdf

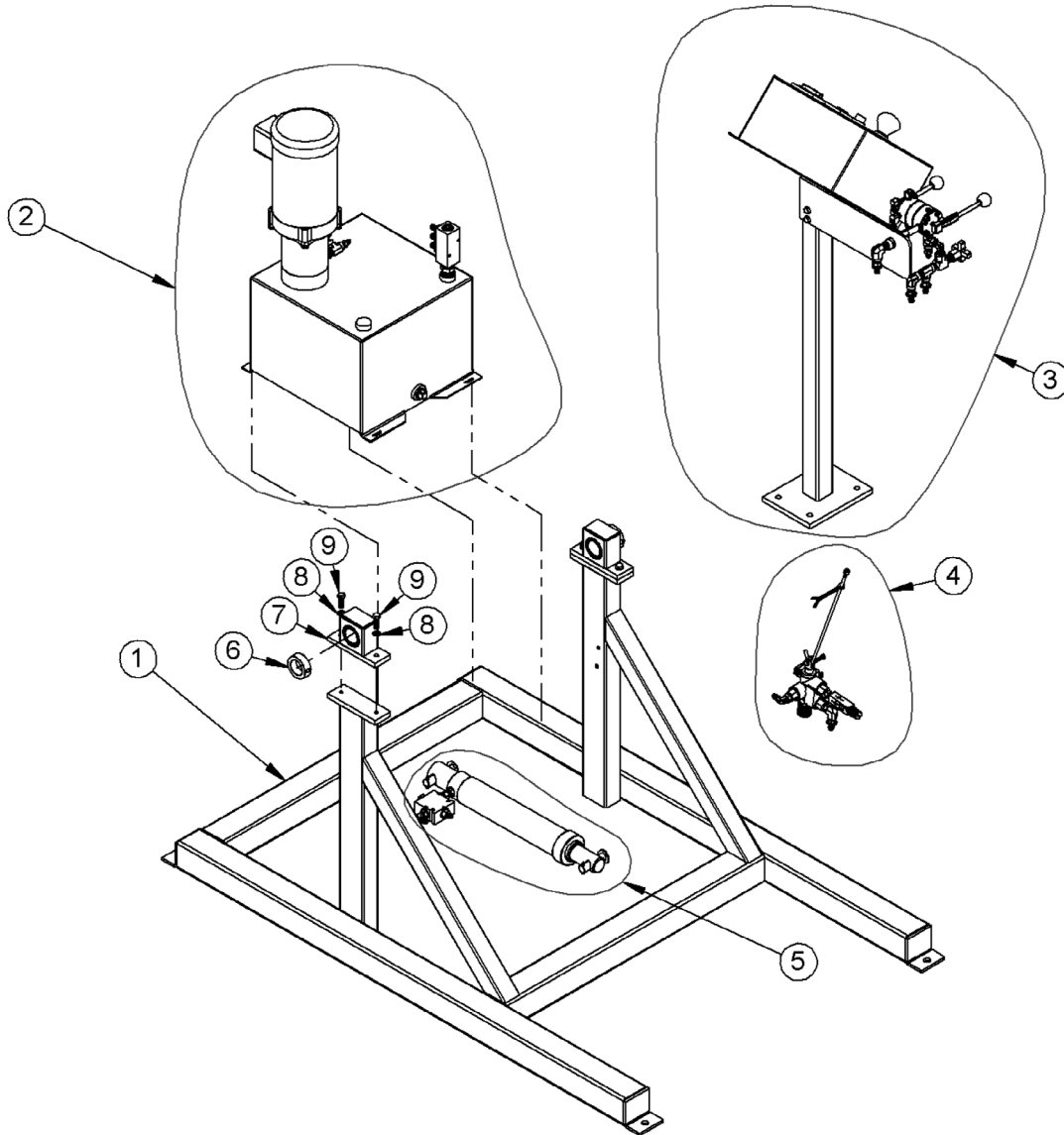
Yearly

- Hydraulic Pump: Change oil with 6 gallons of ATF Dexron III or equivalent. For more oil information, see maintenance information on page 2 of Hydraulic Pump Sheet at: <https://morsedrum.com/ops/PLM404-310-P.PDF>



Operator's Manual for Morse 310-CE Series CE Marked Tilt-To-Load Drum Rotators
Serial Number 315601 and up

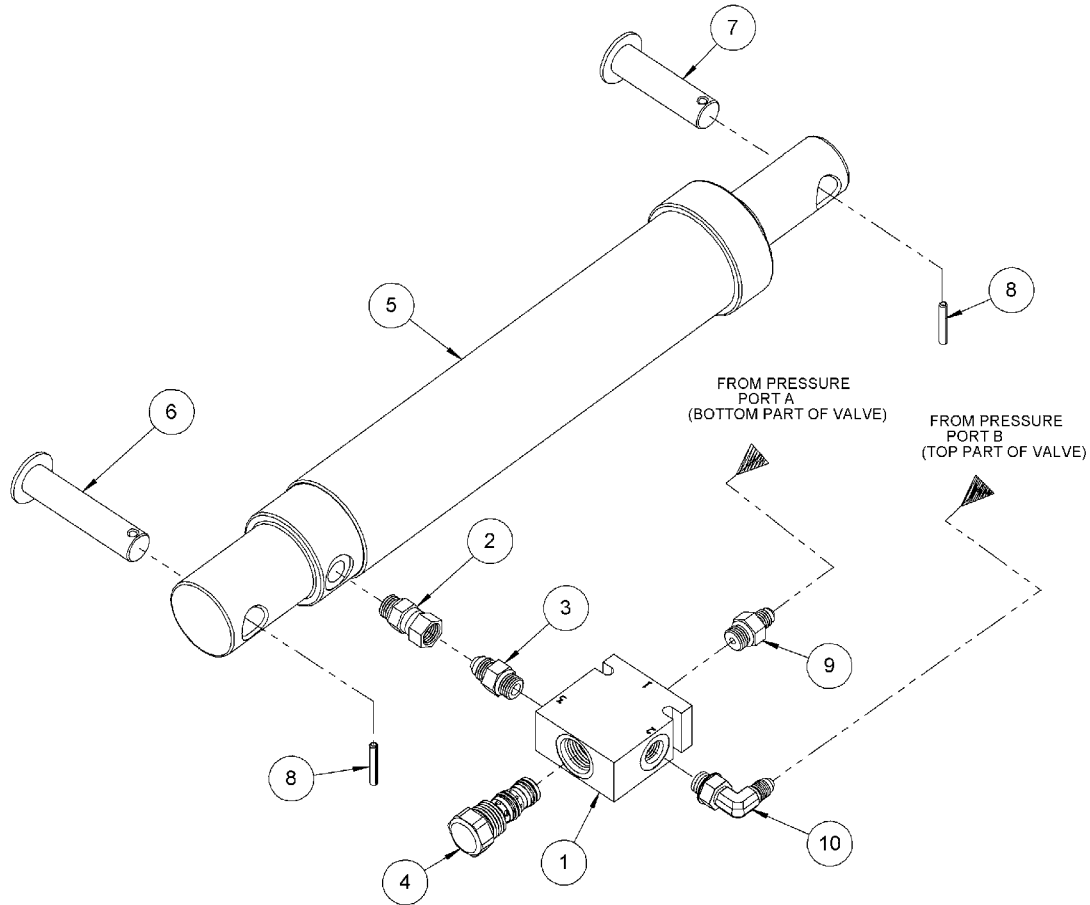
Base Assembly



ITEM	QTY.	PART #	DESCRIPTION
1	1	4920-P	BASE WELD, 310
2	1	N/A	310 HYDRAULIC POWER PACK
3	1	N/A	310 CONTROL PLATE ASM.
4	1	N/A	310 SAFETY LIMIT VALVE
5	1	N/A	310 CYLINDER ASM.
6	2	570-P	COLLAR, 1-1/2" ID
7	2	3520-P	IDLER BEARING ASM W/ CAP 310
8	4	1474-P	WASHER, 3/8 SPLIT LOCK
9	4	535-P	HHCS, 3/8-16 X 1-1/4 GR5B1

Operator's Manual for Morse 310-CE Series CE Marked Tilt-To-Load Drum Rotators
Serial Number 315601 and up

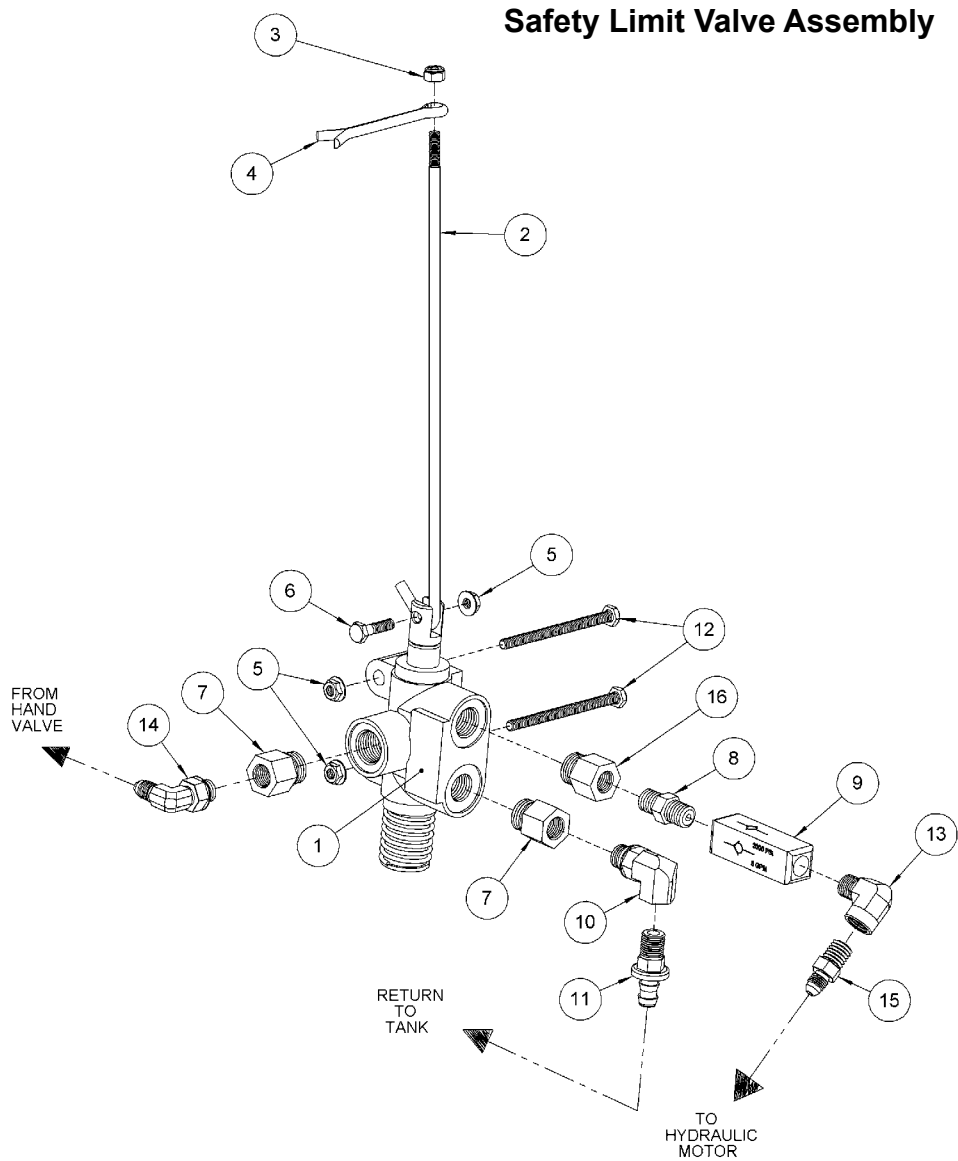
Cylinder Assembly



ITEM	QTY.	PART #	DESCRIPTION
1	1	4576B-P	BODY, VALVE, 310
2	1	4594-P	HYD FIT, SAE STRAIGHT SWIVEL
3	1	4593-P	HYD FIT, SAE STRAIGHT
4	1	4576C-P	CART, PO CHECK, 310
5	1	4572-P	CYLINDER, 2 X 10.5, 310
6	1	3275-P	CLEVIS PIN 3-3/8, 310 DEAD
7	1	3276-P	CLEVIS PIN 2-7/8", 310 LIVE
8	2	64-P	ROLL PIN, 3/16 X 1-1/4
9	1	3612-P	HYD FIT, SAE ADAPTER
10	1	3610-P	HYD FIT, MALE ELBOW, SAE

* Recommended spare parts

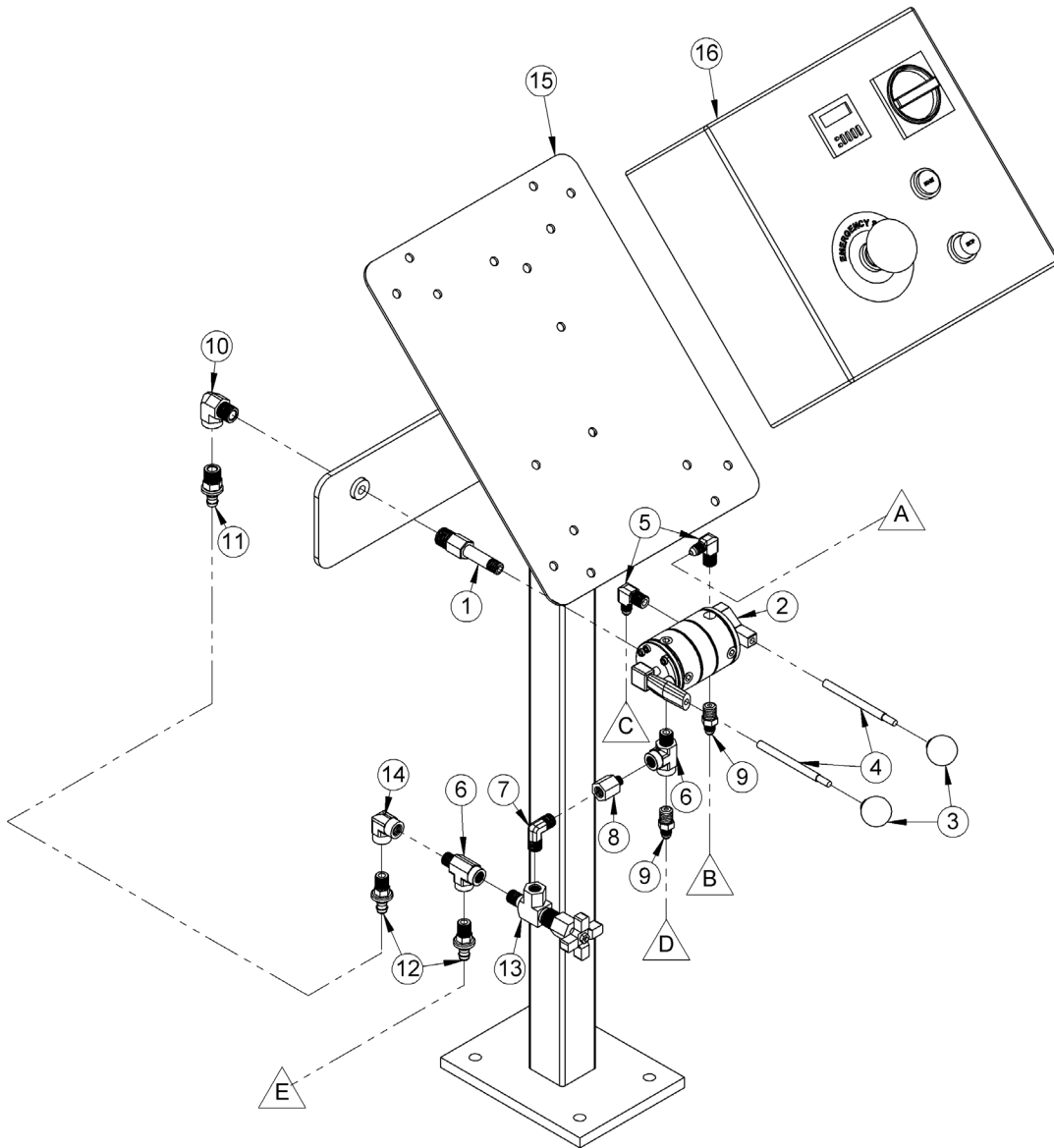
Operator's Manual for Morse 310-CE Series CE Marked Tilt-To-Load Drum Rotators
Serial Number 315601 and up



ITEM	QTY.	PART #	DESCRIPTION
1	1	4859-P	SAFETY LIMIT VALVE, 310
2	1	4922-P	LINK, SAFETY LIMIT VALVE 310
3	1	4250-P	NUT, 1/4-28 NYLON LOCK
4	1	4249-P	COTTER PIN, 1/4" X 2-1/2"
5	3	3923-P	NUT, 1/4-20 WHIZ LOCK
6	1	1641-P	HHCS, 1/4-20 X 1 GR2
7	2	4860-P	FIT, ADAPTOR, SAE, 310
8	1	1108-P	HYD FIT, PIPE NIPPLE, 1/4

ITEM	QTY.	PART #	DESCRIPTION
9	1	4027-P	CHECK VALVE, 310
10	1	3757-P	HYD FIT, SAE ELBOW, 456 CYL
11	1	1107-P	HYD FIT, PUSH LOK 1/4 X 3/8
12	2	4923-P	HHCS, 1/4-20 X 3-1/2 GR2
13	1	765-P	HYD FIT, MALE ELBOW, FLARE 400
14	1	3610-P	HYD FIT, MALE ELBOW, SAE
15	1	345-P	HYD FIT, MALE FLARE, 456, 82
16	1	4431-P	HYD FIT, ADAPTOR, 1/4 3/4-16

Operator's Manual for Morse 310-CE Series CE Marked Tilt-To-Load Drum Rotators Serial Number 315601 and up



HYDRAULIC KEY	
	TO BOTTOM CYLINDER
	TO TOP CYLINDER
	PUMP PRESSURE IN
	TO SAFETY LIMIT VALVE
	TO TANK RETURN

ITEM	QTY.	PART #	DESCRIPTION
1	1	M01319-P	ADAPTER, PUMP VALVE, 3-3/8
2	1	M07381-P	VALVE, 3-4 WAY, 456, 310
3*	2	M01157-P	BALL, PLASTIC, HANDLE, MONARCH
4*	2	M01326-P	ROD, 4"L, VALVE HANDLE, MON
5	2	765-P	HYD FIT, MALE ELBOW, FLARE 400
6	2	1105-P	HYD FIT, RUN TEE, 456, 310
7	1	2119-P	HYD FIT, MALE PIPE ELBOW, 456
8	1	3209-P	HYD FIT, PIPE ADAPTER, 1/4-1/8
9	2	345-P	HYD FIT, MALE FLARE, 456, 82
10	1	3301-P	HYD FIT, STREET ELBOW, 3/8 310

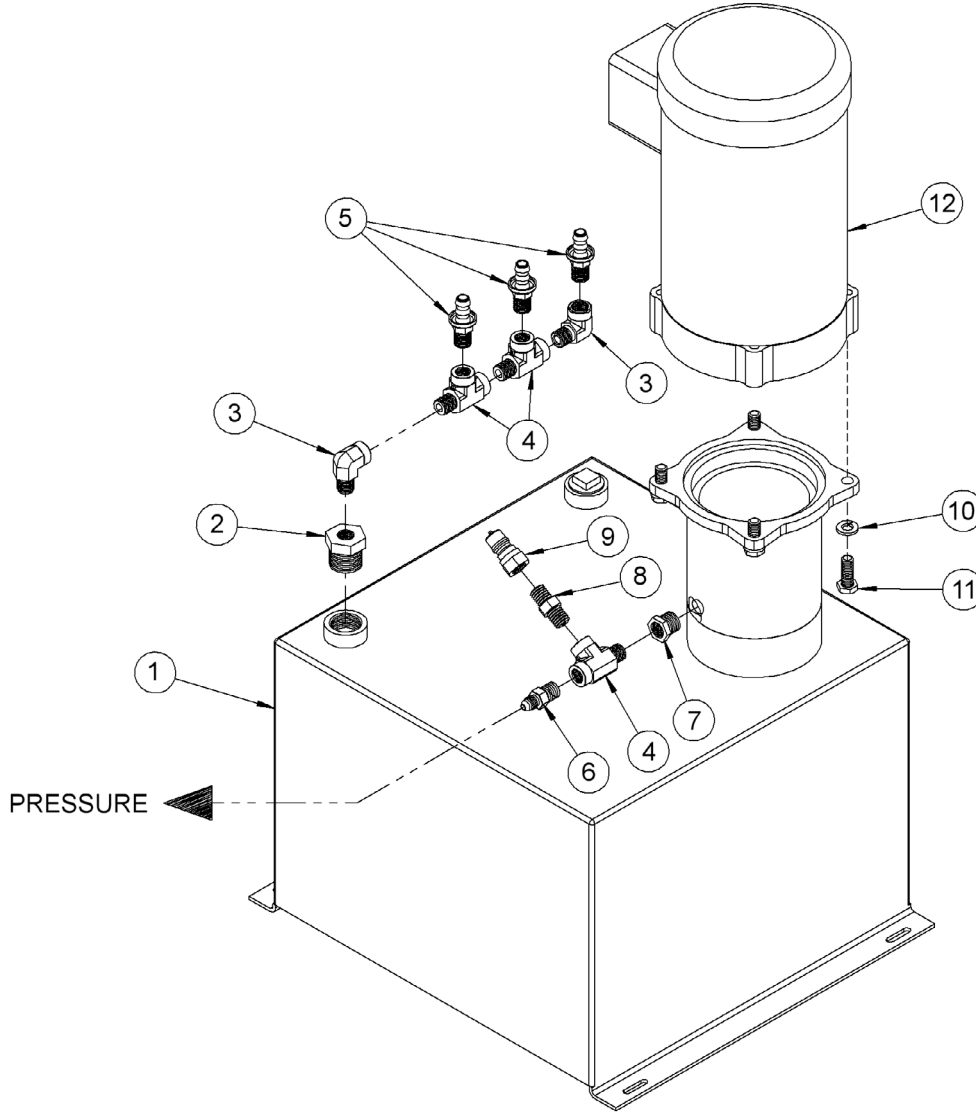
ITEM	QTY.	PART #	DESCRIPTION
11	1	2519-P	HYD FIT, PUSH LOK 3/8 X 3/8
12	2	1107-P	HYD FIT, PUSH LOK 1/4 X 3/8
13	1	4772-P	VALVE, METERING, 310, 456
14	1	4776-P	HYD FIT, ELBOW, 1/4
15	1	5762-P	MAST ASM, 310, 456

Item 16 - Control Box		
MODEL #	PART #	DESCRIPTION
310-1-50-CE	5949-P	CONTROL BOX, 1PH/230V TIMER CE
310-3-50-CE	5538-P	CONTROL BOX, 3PH/400V TIMER CE

* Recommended spare parts

Operator's Manual for Morse 310-CE Series CE Marked Tilt-To-Load Drum Rotators
Serial Number 315601 and up

Hydraulic Power Pack Assembly



ITEM	QTY.	PART #	DESCRIPTION
1 **	1	M404-310-P	HYD POWER PACK, 310
2	1	4008-P	HYD FIT, PIPE REDUCER, 3/4-1/4
3	2	2118-P	HYD FIT, STREET ELBOW, 1/4
4	3	1105-P	HYD FIT, RUN TEE, 456, 310
5	3	1107-P	HYD FIT, PUSH LOK 1/4 X 3/8
6	1	345-P	HYD FIT, MALE FLARE, 456, 82
7	1	3299-P	HYD FIT, PIPE REDUCER 3/8-1/4
8	1	1108-P	HYD FIT, PIPE NIPPLE, 1/4"

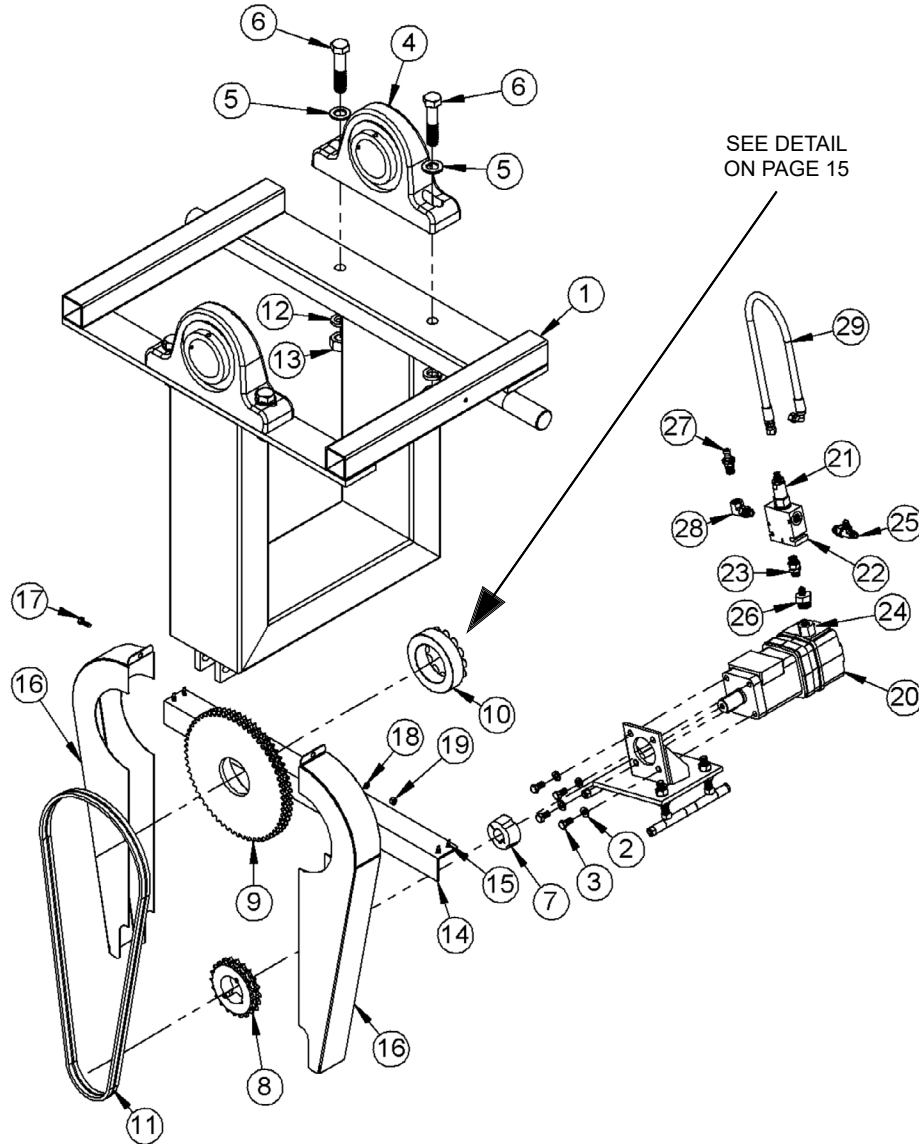
ITEM	QTY.	PART #	DESCRIPTION
9	1	3596-P	HYD FIT, QUICK 1/4 NIPPLE, 310
10	4	1474-P	WASHER, 3/8 SPLIT LOCK
11	4	1572-P	HHCS, 3/8-16 X 1 GR2 ZINC

Item 12 - Motor		
MODEL #	PART #	DESCRIPTION
310-1-50-CE	3186-1-50-P	MOTOR, 2HP, 1PH, 2850 RPM 50HZ
310-3-50-CE	3186-3-50-P	MOTOR, 2HP, 3PH, 2850 RPM 50HZ

* Recommended spare parts
** Includes items 2, 3, 4 and 5 on page 10

Operator's Manual for Morse 310-CE Series CE Marked Tilt-To-Load Drum Rotators Serial Number 315601 and up

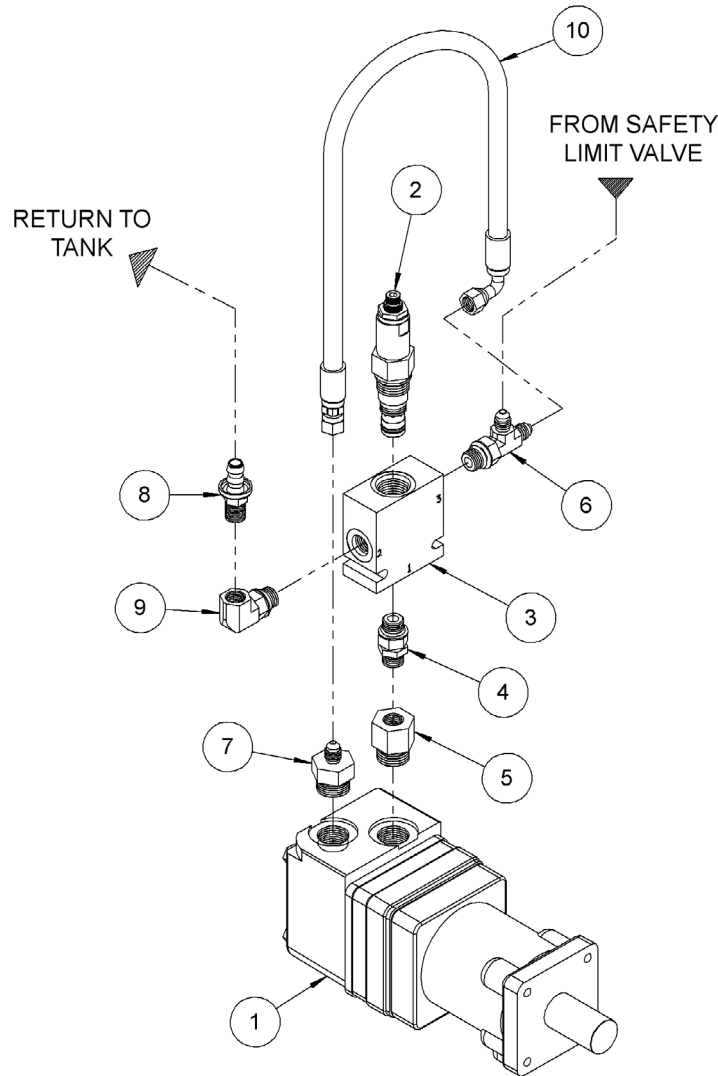
Tilt Assembly



ITEM	PART #	DESCRIPTION	QTY.	ITEM	PART #	DESCRIPTION	QTY.
1	3081-P	TILT WELD, 310	1	16	5382-P	CHAIN COVER PIECE, 309, 310	2
2	1474-P	WASHER, 3/8 SPLIT LOCK	4	17	1714-P	HHCS, 1/4-20 X 3/4 GR2	1
3	1657-P	HHCS, 3/8-16 X 3/4 GR2	4	18	1882-P	WASHER, 1/4 SPLIT LOCK	1
4	2654-P	BEARING, 2-15/16" PILLOW BLOCK	2	19	1297-P	NUT, 1/4-20 REV HEX LOCK	1
5	55-P	WASHER, 3/4 SAE FL 1-1/2 OD	4	20	3114-P	MOTOR, HYDRAULIC HYD, 310	1
6	3318-P	HHCS, 3/4-10 X 3-1/2 GR5	4	21	4600-P	CARTRIDGE, CBAL 310	1
7	3128-P	BUSHING, 1" TAPER LOCK, 310	1	22	4576B-F	BODY, PO CHECK, 310	1
8	3127-P	SPROCKET, #40D, 20T, TAPER 310	1	23	4599-P	HYD FIT, NIPPLE	1
9	3117-P	SPROCKET, #40D, 60T, 310	1	24	4598-P	HYD FIT, REDUCER	1
10	3124-P	HUB, 2-15/16" KEYLESS, 310	1	25	4597-P	HYD FIT, SAE TEE	1
11	3132-P	CHAIN, ROLLER, #40D 115 PITCH	1	26	3154-P	HYD FIT, MALE ADAPTOR SAE, 310	1
12	3319-P	WASHER, 3/4 SPLIT LOCK	4	27	1107-P	HYD FIT, 1/4 X 3/8 PUSH LOK	1
13	2452-P	NUT, FIN, 3/4-10 HEX	4	28	3757-P	HYD FIT, SAE ELBOW, 456 CYL	1
14	5463-P	BRACKET, ANGLE 310 GUARD	1	29	4627-P	HYD HOSE ASM, 20" ELBOW, 310	1
15	193-P	SCREW, 12-14 X 3/4 3 PT TEK	8				

Operator's Manual for Morse 310-CE Series CE Marked Tilt-To-Load Drum Rotators
Serial Number 315601 and up

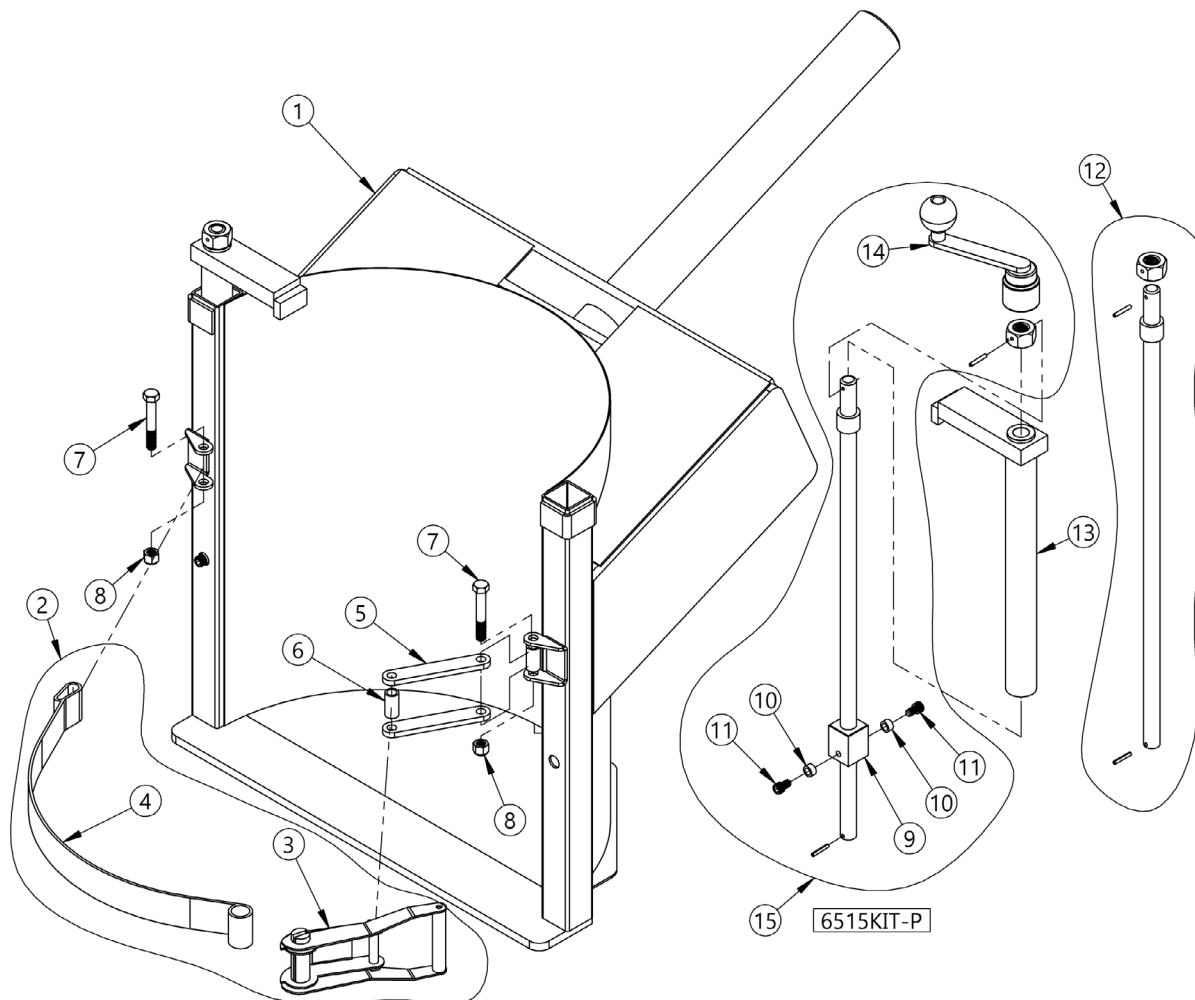
Hydraulic Motor Assembly



ITEM	QTY.	PART #	DESCRIPTION
1	1	3114-P	MOTOR, HYDRAULIC HYD, 310
2	1	4600-P	CART, COUNTER BALANCE, 310
3	1	4576B-P	BODY, VALVE, 310
4	1	4599-P	HYD FIT, NIPPLE
5	1	4598-P	HYD FIT, REDUCER
6	1	4597-P	HYD FIT, SAE TEE
7	1	3154-P	HYD FIT, MALE ADAPTOR SAE, 310
8	1	1107-P	HYD FIT, PUSH LOK 1/4 X 3/8
9	1	3757-P	HYD FIT, SAE ELBOW, 456 CYL
10	1	4627-P	HYD HOSE ASM, 20" ELBOW, 310

* Recommended spare parts

Operator's Manual for Morse 310-CE Series CE Marked Tilt-To-Load Drum Rotators
Serial Number 315601 and up



ITEM NO.	PART NUMBER	DESCRIPTION	QTY.
1	5802-P	SADDLE WELD, 309, 310, 311	1
2	4449-P	STRAP ASM W/ RATCHET	1
3	5498-P	RATCHET ONLY, 4449-P	1
4 *	5497-P	WEB STRAP ONLY, 4449-P	1
5	5790-P	LINK, CONNECTOR, RATCHET	2
6	5792-P	SPACER, CONNECTOR, RATCHET	2
7	6272-P	HHCS, 1/2-13 X 3-1/4"	2
8	6266-P	NUT, 1/2-13 NYLON LOCK	3
9	6517-P	CLAMP NUT BLOCK, ACME 310	1
10	3271-P	CLAMP NUT BLOCK SPACER, 310	2
11	22-P	SHCS, 3/8-24 X 5/8	2
12	6515-P	CLAMP SCREW WELD, ACME, 310	1
13	4553-P	CLAMP PIPE W/ BEARING WELD 310	1
14	6525-P	HAND CRANK, SOCKET, ACME, 310	1
15 *	6515KIT-P	KIT, SCREW ASM REPLACE, ACME	1

* Recommended spare parts

Operator's Manual for Morse 310-CE Series CE Marked Tilt-To-Load Drum Rotators Serial Number 315601 and up

B400

INSTALLATION AND REMOVAL INSTRUCTIONS FOR B-LOC® KEYLESS BUSHING SERIES B400

B-LOC® Keyless Bushings provide a high capacity, zero-backlash shaft/hub or coupling connection by means of a mechanical interference fit. Please follow these INSTALLATION AND REMOVAL INSTRUCTIONS carefully to ensure proper performance of this **B-LOC®** unit.

ⓘ WARNING ⓘ

When installing or removing **B-LOC®** products, always adhere to the following safety standards:

1. Be sure that the system is de-energized using proper lockout/tagout procedures.
2. Wear proper personal protective equipment.

INSTALLATION

(Refer to Figure 1)

B-LOC® Keyless Bushings are supplied lightly oiled and ready for installation. The frictional torque capacity of these devices is based on a coefficient of friction of 0.12 for lightly oiled screw, taper, shaft and bore contact areas.

Therefore, it is important not to use Molybdenum Disulfide (e.g., Molykote, Never-Seize or similar lubricants) in any Keyless Bushing installation.

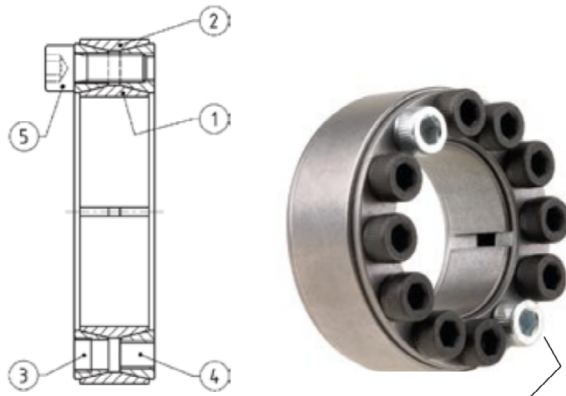


Figure 1

Cadmium plated screws

1. Make sure that locking screw, taper, shaft and bore contact areas are clean and lightly oiled with a light machine oil.
2. Insert Keyless Bushing into hub counterbore prior to shaft installation.
3. After confirming correct hub position, hand-tighten three (3) or four (4) equally spaced locking screws until initial contact with shaft and hub bore is established.
4. Use torque wrench and set it approximately 5% higher than specified tightening torque (M_a). Tighten locking screws in either a clockwise or counterclockwise sequence (it is not necessary to tighten in a diametrically opposite pattern), using only 1/4 (i.e., 90°) turns for several passes until 1/4 turns can no longer be achieved.
5. Continue to apply overtorque for 1 to 2 more passes. This is required to compensate for a system-related relaxation of locking screws since tightening of a given screw will always relax adjacent screws. Without overtorquing, an infinite number of passes would be needed to reach specified tightening torque.
6. Reset torque wrench to specified torque (M_a) and check all locking screws. No screw should turn at this point, otherwise repeat Steps 5 and 6.

NOTE: 1. It is not necessary to re-check tightening torque after equipment has been in operation.
2. In applications subject to extreme corrosion, the slits in all collars can be sealed with a suitable caulking compound or equivalent.

INSTALLATION OF B-LOC® KEYLESS BUSHING OVER SHAFT KEYWAYS

The Keyless Bushing should be positioned so that slits in Keyless Bushing collars that contact the shaft are located approximately opposite the keyway. In addition, a locking screw should be centered directly over the keyway.

When tightening locking screws, it is important to follow the installation procedure outlined above, which specifies equal 1/4 turns of each locking screw. Failure to follow these instructions could result in excessive tightening of the screw over the keyway, possibly causing permanent deformation of the Keyless Bushing collars.

REMOVAL

(Refer to Figure 2)

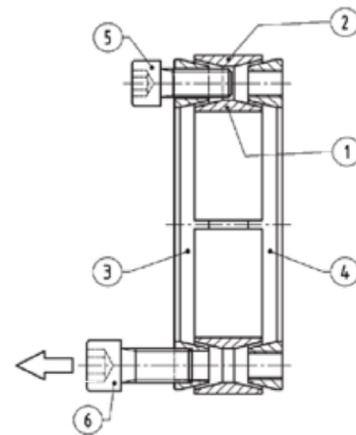


Figure 2

Prior to initiating the following removal procedure, check to ensure that no torque or thrust loads are acting on the Keyless Bushing, shaft or any mounted components.

1. Loosen locking screws in several stages by using approx. 1/4 turns, following either a clockwise or counterclockwise sequence.
- NOTE:** **B-LOC®** Series B400 Keyless Bushings feature self-releasing tapers, meaning collars should release during Step 1. However, if for some reason the thrust collars jam, a light tap on three (3) equally spaced heads of loosened locking screws will positively release the connection.
2. Hub and Keyless Bushing are normally removed together. Removal of Keyless Bushing only from deep counterbores is accomplished by inserting pull-off screws (not provided) into threads located under plated locking screws. These threads are NOT to be used for high pulling forces, as thrust collar is only partially threaded.

LOCKING SCREW SIZES AND SPECIFIED TIGHTENING TORQUE M_a B400 KEYLESS BUSHINGS

Metric Series	Inch Series	Tightening Torque M_a (ft lb)	Screw Size	Hex Key Size (mm)	Pull-off Thread dB
20 x 47 to 40 x 65	3/4 to 1-1/2	11	M6	5	M8
42 x 75 to 65 x 95	1-5/8 to 2-9/16	26	M8	6	M10
70 x 110 to 95 x 135	2-5/8 to 3-3/4	51	M10	8	M12
100 x 145 to 160 x 210	3-7/8 to 6	91	M12	10	M14
170 x 225 to 200 x 260	6-7/16 to 8	138	M14	12	M16
220 x 285 to 260 x 325		214	M16	14	M20
280 x 355 to 300 x 375		293	M18	14	M22
320 x 405 to 340 x 425		420	M20	17	M24
360 x 455 to 420 x 515		565	M22	17	M27
440 x 545 to 1000 x 1110		725	M24	19	M30

dB = pull-off thread, located only under cadmium plated screws of front thrust collar

**Operator's Manual for Morse 310-CE Series CE Marked Tilt-To-Load Drum Rotators
Serial Number 315601 and up**

310 SPECIFICATION SHEET (CE Marked)	
Capacity: Full Drum 1/2-Full Drum	363 kg (800 Lb.) 182 kg (400 Lb.)
Drum Holder Specs: Drum Diameter Drum Height	45.72 cm to 59.69 cm (18" to 23.5") 73.66 cm to 93.98 cm (29" to 37")
Drum RPM:	4 to 16 Variable Speed
Machine Height: Loading Position Tumbling Position	126.37 cm (49.75") 139.70 cm (55")
Machine Floor Space: Loading Position Tumbling Position	154.94 cm x 99.06 cm (61" Long x 39" Wide) 154.94 cm x 99.06 cm (68" Long x 39" Wide)
Enclosure Height:	160.66 cm (63.25")
Enclosure Floor Space:	223.52 cm x 132.08 cm (88" Long x 52" Wide)
Shipping Weight:	870.9 kg (1916 Lb.)
AC Motor Specs for Model 310-1-50-CE 2HP 1PH 2850 RPM 50HZ 56C TEFC	VOLTS (AMP DRAW) 220V (9.7 Amps)
AC Motor Specs for Model 310-3-50-CE 2HP 3PH 2850 RPM 50HZ 56C TEFC	VOLTS (AMP DRAW) 400V (3 Amps)
Max Hydraulic Pressure:	2100 PSI

Operator's Manual for Morse 310-CE Series CE Marked Tilt-To-Load Drum Rotators
Serial Number 315601 and up

Declaration of Conformity

RF Solutions, LLC has tested the product to the current appropriate standards and finds that the product is in compliance with those requirements.

EMC Directive: **2014/30/EU**
Generic Emissions Standard: EN 61000-6-4:2007
Product Specific Emissions: EN 55011 Class A
Generic Immunity Standard: EN 61000-6-2: 2005
Immunity: EN 61000-4-2 Electrostatic Discharge
EN 61000-4-6 Conducted Susceptibility

Low Voltage Directive: **2014/35/EU**
Standard: EN 60204-1 Safety of Machinery

Machinery Directive: **2006/42/EC**
Standard: EN 60204 Safety of Machinery

Manufacturer's Name: **MORSE Mfg. Co., Inc.**
Manufacturer's Address: 103 Kuhn Rd.
Syracuse, NY 13208
Product: Tilt-to-Load Drum Rotator
Model: 310 Series
Serial Number: 273420 and up

This Certificate of Compliance issued November 19, 2014 is valid for the test sample of the product specified above and that it conforms to the Directive(s) and Standard(s).

Signature: 

Nathan Andrews
President
Morse Manufacturing Company, Inc.
103 Kuhn Rd.
Syracuse, New York, USA 13208
Phone: (315)-437-8475
Fax: (315)-437-1029