

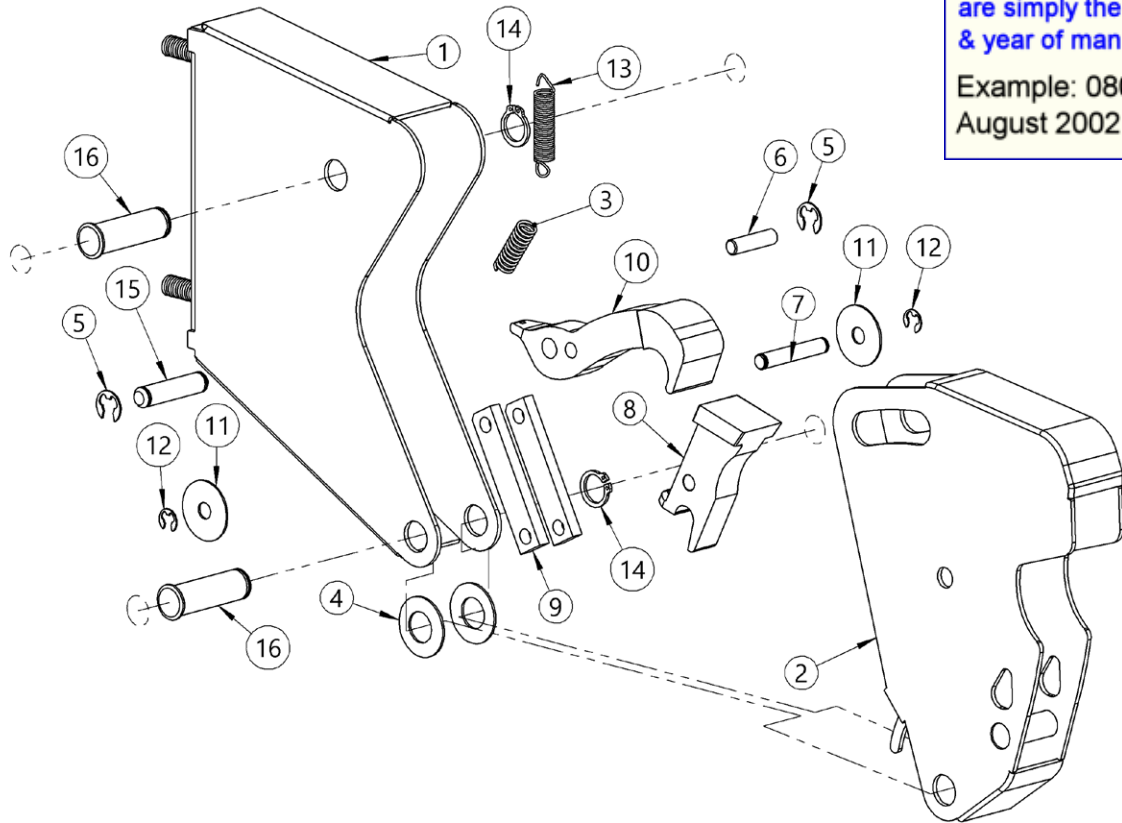
Parts Diagram for part # 3360-P Head Assembly for 82H Drum Movers / Palletizers
Serial Number 0509 to ____ (MMYY)



IMPORTANT NOTE

4-Digit serial numbers are simply the month & year of manufacture

Example: 0802 is August 2002



ITEM NO.	PART NUMBER	DESCRIPTION	QTY.
1	3861B-P	BACK HEAD WELD, LDH	1
2	3861F-P	FRONT HEAD WELD, LDH	1
3	1110-P	SPRING, COMPRESSION, 155	1
4	62-P	WASHER, 3/4 SPRING	2
5	3461-P	E CLIP, 1/2", 82	2
6	3460-P	PIN INNER LINK 3/8 X 1.437 LDH	1
7	3354-P	PIN, GROOVE, 3/8 X 2" LDH	1
8	2166-P	LOWER JAW, MORSPEED, 929-P	1
9	3355-P	LINK, JAW, LDH	2
10	2165-P	UPPER JAW, MORSPEED, 929-P	1
11	3362-P	WASHER, 3/8" FENDER	2
12	3361-P	E CLIP, 3/8", 82	2
13	3879-P	SPRING, LDH, RED	1
14	5330-P	SNAP RING, EXT, HD, .078, 3/4"	3
15	3352-P	PIN, GROOVE, 1/2 X 1.836	1
16	5586L-P	PIN, GROOVE, 3/4 X 2.18 C	2