

### Parts List and Diagram for Part # 400-96 Base Assembly

Used on Morse 400 Series 96" Hydra-Lift Karriers

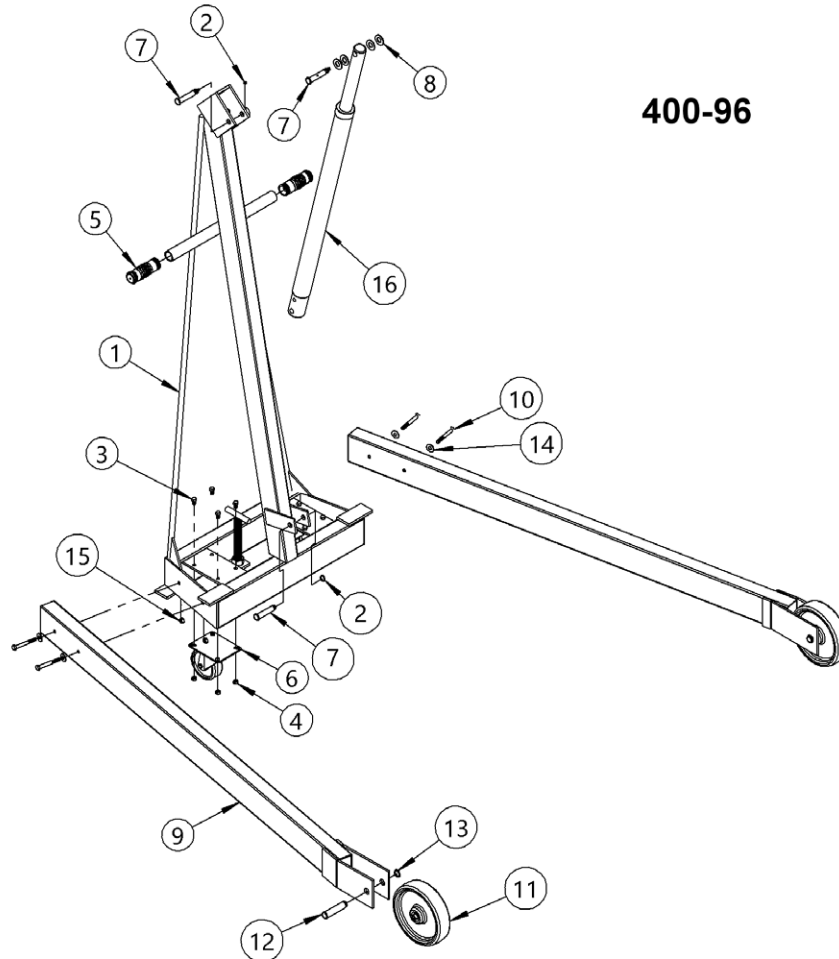
Serial # 0217 to \_\_\_\_ (MMYY)



#### IMPORTANT NOTE

4-Digit serial numbers are simply the month & year of manufacture

Example: 0802 is August 2002



ITEM NO.	PART NUMBER	DESCRIPTION	QTY.
1	3999-P	ASM, TOWER, DC, 400A-96	1
2	1005-P	SET SCREW, 5/16-18 X 3/8 KNURL	2
3	215-P	HHCS, 5/16-18 X 5/8 GR2	8
4	1634-P	NUT, 5/16-18 WHIZ LOCK	8
5	83-P	GRIP, HANDLE, 1-1/4 X 4-1/2	2
6	3308-P	CASTER, 4" SWIVEL, DBL RACE	2
7	6061-P	PIN, CLEVIS, 400, GREASE FIT	3
8	17-P	WASHER, 5/8 SAE FL 1-5/16 OD	4
9	134-84-P	LEG WELD, 400A-84, 96, 405	2
10	1521-P	HHCS, 3/8-16 X 3 GR5	4
11	87-P	WHEEL, MORTUF, 8", 3/4" BRG	2
12	5329-P	PIN, GROOVE, 3/4 X 3.10	2
13	5330-P	SNAP RING, EXT, HD, .078, 3/4"	2
14	1166-P	WASHER, 3/8 USS 1" OD	4
15	1169-P	NUT, 3/8-16 REV HEX LOCK	4
16	3006-P	CYLINDER, 1.5 X 29, 510 515 610	1