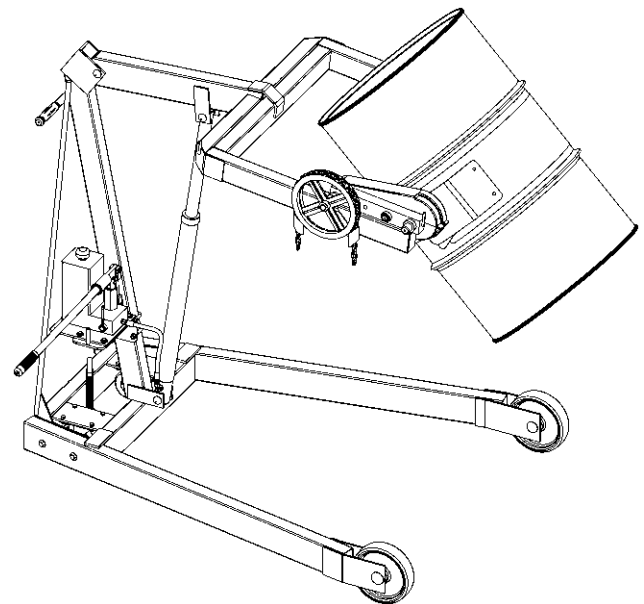


Contents

	Page
Receiving Procedures.	1
Warranty.	1
Safety Information.	1 - 2
Machine Description.	3 - 4
Operating Instructions.	5
Maintenance.	5
Parts Lists and Diagrams.	6 - 8
Recommended Spare Parts.	9

Operator's Manual
for Morse Hydra-Lift Drum Karrier
with Manual Lift and Tilt

Model 400AM-96
Serial Number 0409 to 1110 (MMYY)



Receiving Procedures

Every Morse drum handler is inspected prior to shipping. However, damage may be incurred during transit.

- Check for visible damage. If you choose to accept damaged freight, always sign noting the damage on the **BILL OF LADING**.
- Document the damage and have the truck driver sign. We recommend keeping a digital camera at your receiving dock for this purpose.
- Open packages expeditiously to check the condition of the goods. There is only a 24 hour window to notify the carrier of any concealed damage.
- **IMMEDIATELY REPORT ALL DAMAGE TO THE SHIPPING COMPANY!** Then you may contact Morse for assistance with your freight claim.
- Morse Manufacturing will not be held responsible for any damaged freight that is not signed for as damaged.

Delivery to non-business addresses without a loading dock result in additional freight charges. Residential delivery fees, inside delivery fees, re-delivery charges, and lift gate services will be added by the truck line, and are non-negotiable.

Limited 2 Year Warranty

Morse drum handling equipment is guaranteed against defects in workmanship or materials for **TWO YEARS** when used properly within its rated capacity. Warranty does not cover wear from normal use or damage from accident or abuse. Motors and other purchased parts carry the warranties of their manufacturers.

For warranty claims, contact your Morse Dealer to obtain a return authorization number, and for return freight advice. Return freight must be prepaid.

In all instances, liability is limited to the purchase price paid or to repairing or replacing the product. Customer assumes liability for any modifications, unauthorized repairs or parts substitution.

Safety Information

While Morse Manufacturing Co. drum handling equipment is engineered for safety and efficiency, a high degree of responsibility must be placed upon the machine operator to follow safe practices, based primarily on common sense, upon which true safety depends.

Failure to follow the safety precautions in this manual can result in personal injury or property damage. Observe the same precautions as with similar machinery where carelessness in operating or maintenance is hazardous to personnel. Carefully read the safety precautions below and throughout this manual.



Operator's Manual for Morse Hydra-Lift Karrier Model 400AM-96
with Serial Number 0409 to 1110 (MMYY)

Safety Information (continued)



DANGER - Indicates a situation which, if not avoided, *will* result in serious injury or death. This signal word is limited to the most extreme situations.



WARNING - Indicates a situation which, if not avoided, *could* result in serious injury or death.



CAUTION - Indicates a situation which, if not avoided, can result in damage to the machine.



CAUTION – Do Not Transport with Drum Raised

ALWAYS LOWER THE DRUM HOLDER TO LOWEST POSITION BEFORE TRANSPORTING. The unit can become unstable when transporting with a raised load.



DANGER - Stay Clear of Power Lines

KEEP WELL CLEAR OF POWER LINES. Never approach a power line. Current in a high voltage line may arc some distance from the wire to the steel framed, grounded machine.



WARNING

The Hydra-Lift Karrier is designed to handle one drum of the types listed at the top of page 3, under **2. Machine Description**. *DO NOT* attempt to handle any other type of drum or object. *DO NOT* exceed the weight capacity of 800 Lb.



WARNING - Level Floors Only

For operation only on clean, level floors of suitable bearing capacity. Do not use on sloped surfaces, ramps, irregular or debris strewn floors.



WARNING - Do Not Modify the Unit

Under no circumstances should any modifications be made to the Morse machinery without factory authorization. Any modifications may void the warranty. This machine was designed to perform a specific job and alterations may result in injury to operator or machine.



WARNING - No Loose Fitting Clothing

Wear close-fitting clothing and safety equipment appropriate to the job. Loose fitting clothing may become caught on the machinery and cause severe personal injury.



WARNING - Hydraulic Fluid Under Pressure Can Be Hazardous

Escaping hydraulic fluid under pressure can penetrate the skin, causing serious injury. Avoid the hazard by relieving pressure before disconnecting hydraulic lines. Keep hands and body away from pinholes and nozzles, which eject fluid under high pressure. Use a piece of cardboard to search for leaks. If an accident occurs, see a doctor immediately and inform them of the nature of the accident.



CAUTION - Wear Safety Shoes

Wear safety shoes with non-slip soles and hard toe protection.



**Operator's Manual for Morse Hydra-Lift Karrier Model 400AM-96
with Serial Number 0409 to 1110 (MMYY)**

Machine Description

The Model 400AM-96 Hydra-Lift Karrier will pour a drum up to 96" high, measured from the floor to the lowest point of a horizontal drum. It is designed to lift, transport, and dispense a 55-gallon steel or fiber drum 22" to 23.5" in diameter.

The maximum full-drum capacity is 800 Lb. The capacity is derated to 500 Lb. for a half-full drum. The half-full rating is based on the tilt mechanism's capacity for handling an unbalanced bottom-heavy drum.

Options

- A smaller diameter drum can be handled with the correct size 55/30M Series Diameter Adaptor installed (see Diameter Adaptor literature).
- The adjustable Bracket Assembly (Part # 4556M-P) is **required** to handle a plastic drum without a top rim (see figure 2.1). The Bracket Assembly is also recommended when handling a fiber drum. You can also use the Bracket Assembly when handling a rimmed drum.
- To handle a 55-gallon plastic drum with suitable top rim, you **must** install either the Bracket Assembly or the Top Rim Clamp (Part # 4560M-P) (see figure 2.2). You can use the Top Rim Clamp to handle a 55-gallon plastic, steel or fiber drum with suitable top rim.

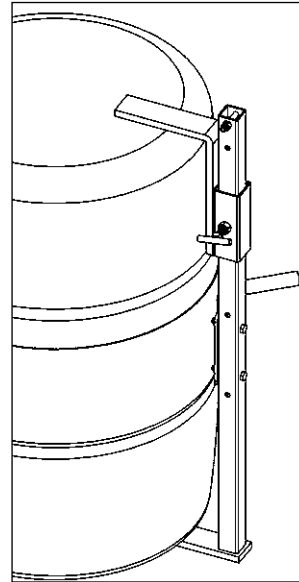


Figure 2.1
Plastic drum being lifted with part number 4556M-P Bracket Assembly installed.

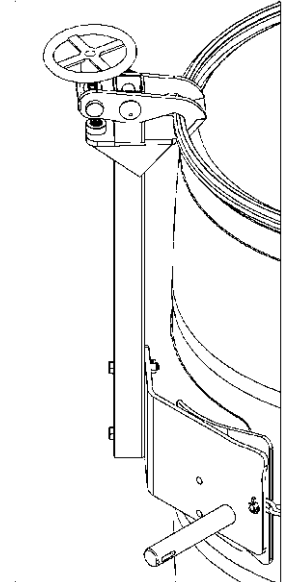


Figure 2.2
Plastic drum being lifted with part number 4560M-P Top Rim Clamp Assembly installed.

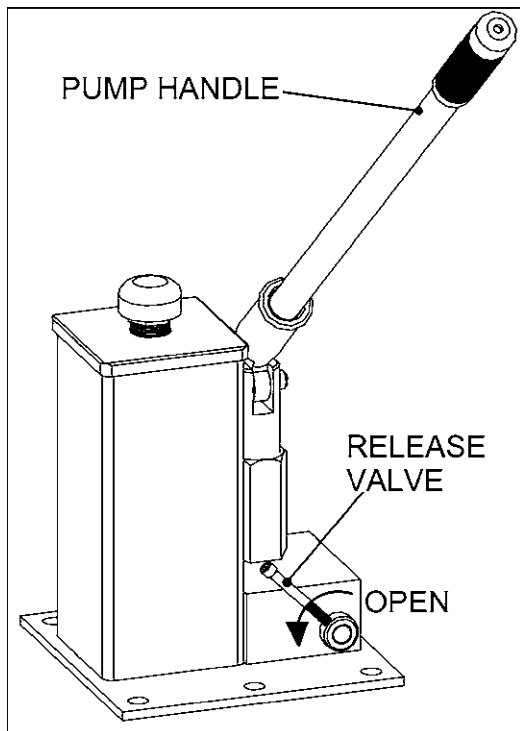


Figure 2.3

Controls

The Morse Hydra-Lift Karrier is manually propelled and steered.

There are two functions for the operator to control (Figure 2.3):

1. "LIFT" and lower function for vertical positioning of the drum
2. "TILT" function to control the degree of rotation of the drum

LIFT and Lower Function

To raise the drum

1. Insert pump lever handle into pump socket.
2. With the release valve closed, begin to pump the lever handle. The drum will lift.

To lower the drum

1. Open the release valve slowly, a part of a turn. Allow the drum to descend at a controlled rate. The valve may be reclosed to hold the drum at any height.

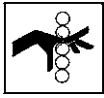
TILT Function

To tilt the drum

1. Pull down on one side of chain, rotating drum to angle required for pouring.
2. For best control of drum pouring angle, pay out one side of the chain loop while pulling in the other side. This helps you to hold back the drum rotation if the contents of the drum shift.
3. The pull chain pin on the corner of the overhead assembly can be used to prevent drum rotation. Simply "tie-off" the chain by engaging in into the pin.
4. If the drum handler is equipped with the MORStop Tilt-Brake, there is no need to hold tension on both sides of the chain loop. Braking is immediate and self-actuating, without additional steps by the operator. To add the MORStop Tilt-Brake to your drum handler, order part # 3900-P for a field installation kit.



**Operator's Manual for Morse Hydra-Lift Karrier Model 400AM-96
with Serial Number 0409 to 1110 (MMYY)**



WARNING - Watch Out for Pinch Points

Stay clear of moving parts. Operator should remain behind the push handle during the lift operation.

Floor Lock

The screw-down floor lock is located on the base of the tower (figure 3.1). Turning the floor lock clockwise until it locks in the down position activates the floor lock. When the floor lock is activated it prevents unwanted free wheeling of the unit. Floor conditions determine the effectiveness of the floor lock. The operator should verify its holding action before depending on it to hold.

MORcinch Drum Holder Assembly

The drum holder assembly (or "saddle assembly") is the component on the Hydra-Lift Karrier that is intended to hold the drum. The MORcinch drum holder assembly is designed to secure a standard ribbed 55-gallon steel drum around its middle using a cinch chain and ratchet tightening system. The MORcinch drum holder accepts accessories for handling a plastic drum, a fiber drum, or smaller diameter drums (see Options on pg. 3).

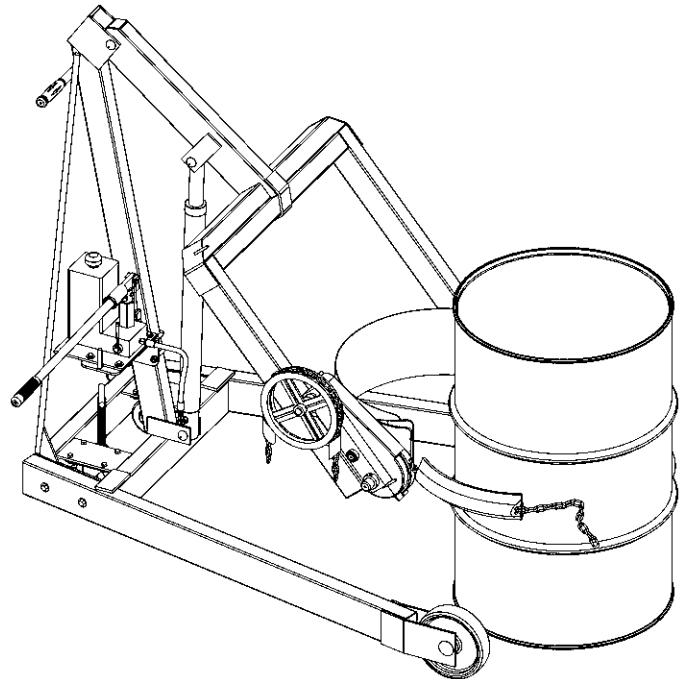


Figure 3.1



**Operator’s Manual for Morse Hydra-Lift Karrier Model 400AM-96
with Serial Number 0409 to 1110 (MMYY)**

Operating Instructions

1. Push the Hydra-Lift Karrier to the drum.
2. Using the “LIFT” control as described in “Machine Description - Controls” (page 3) , position the drum holder assembly with the back band at the middle of the drum. (Figure 3.1). With the ratchet plate swung open and the cinch chain hanging from the chain hook, push the unit until the back band rests firmly against the drum. Some adjustment to the tilt angle of the saddle may be necessary to ensure band fits flush on the drum.
3. Attaching the drum: Drape the chain across the front of the drum and engage a link into the slot in the ratchet (Figure 3.2). Turn the ratchet clockwise to tighten chain. If ratchet turns until the pawl is beyond the last ratchet tooth, turn the ratchet back and slide the next link into the ratchet slot and try tightening again. The chain must be held tightly against the drum with the pawl engaged securely in the ratchet teeth.
4. Operate the lift function to lift drum clear of floor. Roll to dispensing location. NOTE: Do not allow the drum to impact on floor, pouring station, etc. or a spill or damage could occur.

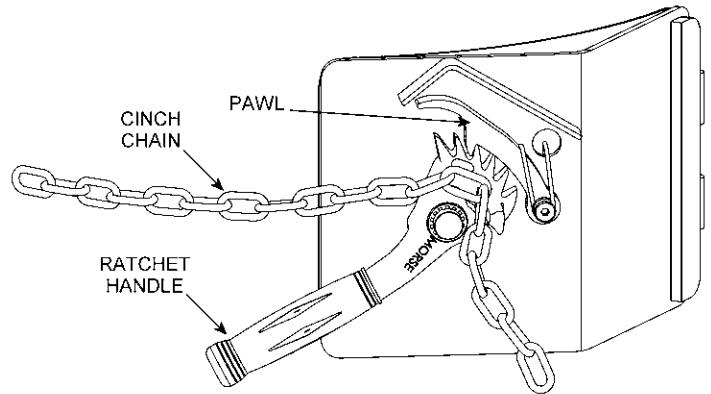


Figure 3.2



CAUTION – Do Not Transport with Drum Raised

ALWAYS LOWER THE DRUM HOLDER TO LOWEST POSITION BEFORE TRANSPORTING.

The unit can become unstable when transporting with a raised load.

5. Lift drum to desired pouring height. Operate the tilt control as described in “Machine Description - Controls” (page 3) to adjust the drum attitude. This is especially important when lifting an open drum. The floor lock should be engaged while dispensing / draining.
6. When dispensing is complete, tilt drum back to upright position. Disengage the floor lock and lower the drum to transporting height; about 6” off the floor.



WARNING - Stay Clear of Raised Drum

NEVER allow anyone to be below any part of a raised drum handler or drum. Remain behind the push handle while handling a drum.



WARNING – Do NOT Disengage the Cinch Chain When Drum is off the Ground

When the drum is in the upright position, lower the drum to the floor before releasing the cinch chain.

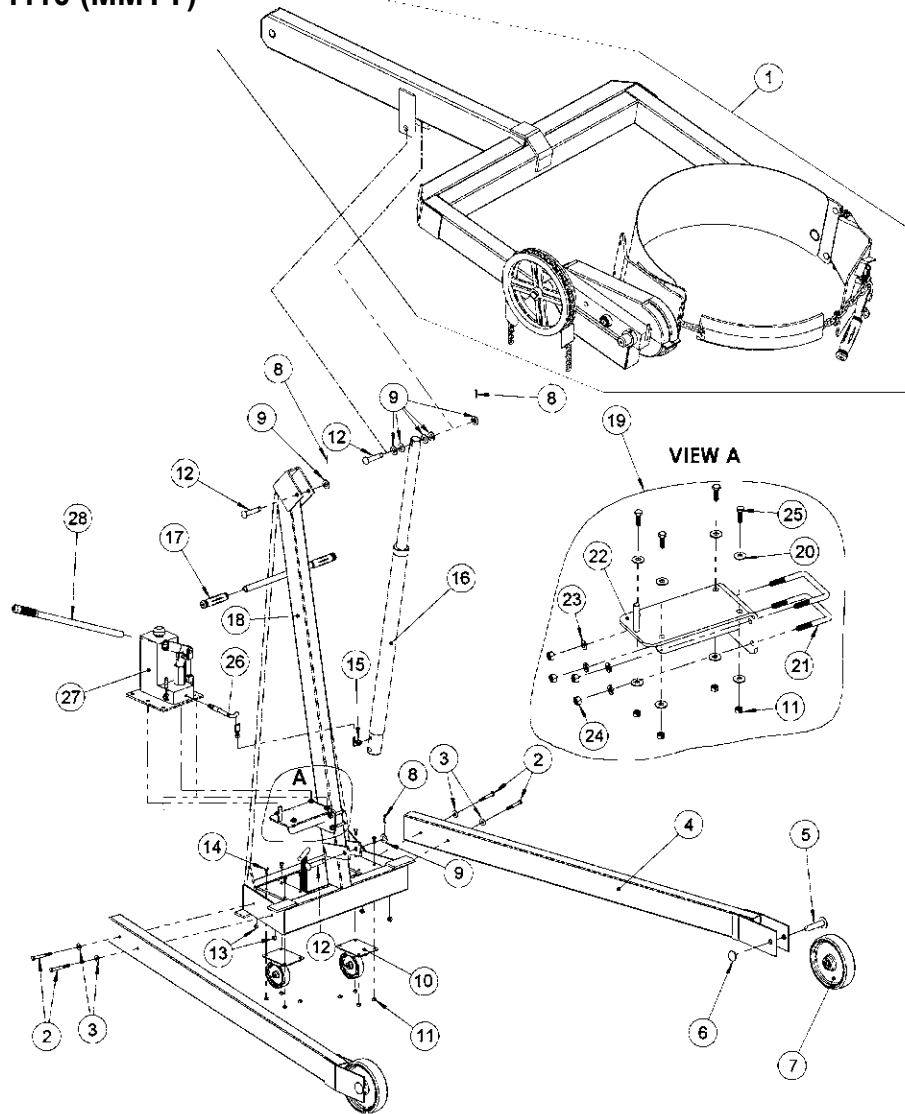
7. Push the unit to the drum storage area and lower to the floor in an upright position. Release the cinch chain from the ratchet by applying pressure to the ratchet handle in a clockwise direction with one hand and opening the pawl to free the ratchet with the other hand. Remove the cinch chain link from the ratchet.

Maintenance

- Periodic inspection for the general condition of structural and mechanical components is imperative for safe and efficient operation.
- Periodically inspect all moving parts, framework, and contact areas for signs of wear, fatigue, or loosening. Tighten, adjust, or replace parts as necessary to prevent failure and maintain proper function.
- Inspect the hydraulic system for oil drips, hose damage, or other signs of wear. Inspect the level and condition of the hydraulic fluid. Replace any parts that show signs of wear.
- Grease wheel bearings periodically. Oil or grease all moving parts including: the three clevis pins and the surfaces of the boom which contact the inside of the mast cap, the hinge pin, the gears and sprockets in the tilt drive, and the ratchet and pawl.
- Worn or damaged parts must be properly replaced with the correct, genuine Morse parts.
- Hydraulic pump is shipped filled with Noco Premium plus automatic transmission fluid d/m. Material safety data sheet (msds) is available online. Change oil yearly, sooner depending on dirty conditions or outdoor use. Replace oil with Mobil dte 24 or equivalent for indoor use (Mobil dte 13 for outdoor use).



Operator's Manual for Morse Hydra-Lift Karrier Model 400AM-96 with Serial Number 0409 to 1110 (MMYY)



ITEM	QTY.	PART #	DESCRIPTION
1	1	4519M-96-P	OVERHEAD ASM, MOR, 400A-72, SR
2	4	1521-P	HHCS, 3/8-16 X 3 GR5
3	4	1166-P	WASHER, 3/8 USS 1" OD
4	2	134-84-P	LEG WELD, 400A-84, 96, 405
5	2	704-P	AXLE, 3/4", USE WITH PUSH-ON
6 *	2	705-P	CAP, HUB, PUSH-ON, 3/4"
7 *	2	87-P	WHEEL, MORTUF, 8", 3/4" BRG
8	3	64-P	ROLL PIN, 3/16 X 1-1/4
9	7	17-P	WASHER, 5/8 SAE FL 1-5/16 OD
10 *	2	3308-P	CASTER, 4" SWIVEL, DBL RACE
11	12	491-P	NUT, 5/16-18 REV HEX LOCK
12	3	138-P	CLEVIS PIN 5/8 X 3"
13	4	1169-P	NUT, 3/8-16 REV HEX LOCK
14	8	215-P	HHCS, 5/16-18 X 5/8 GR2

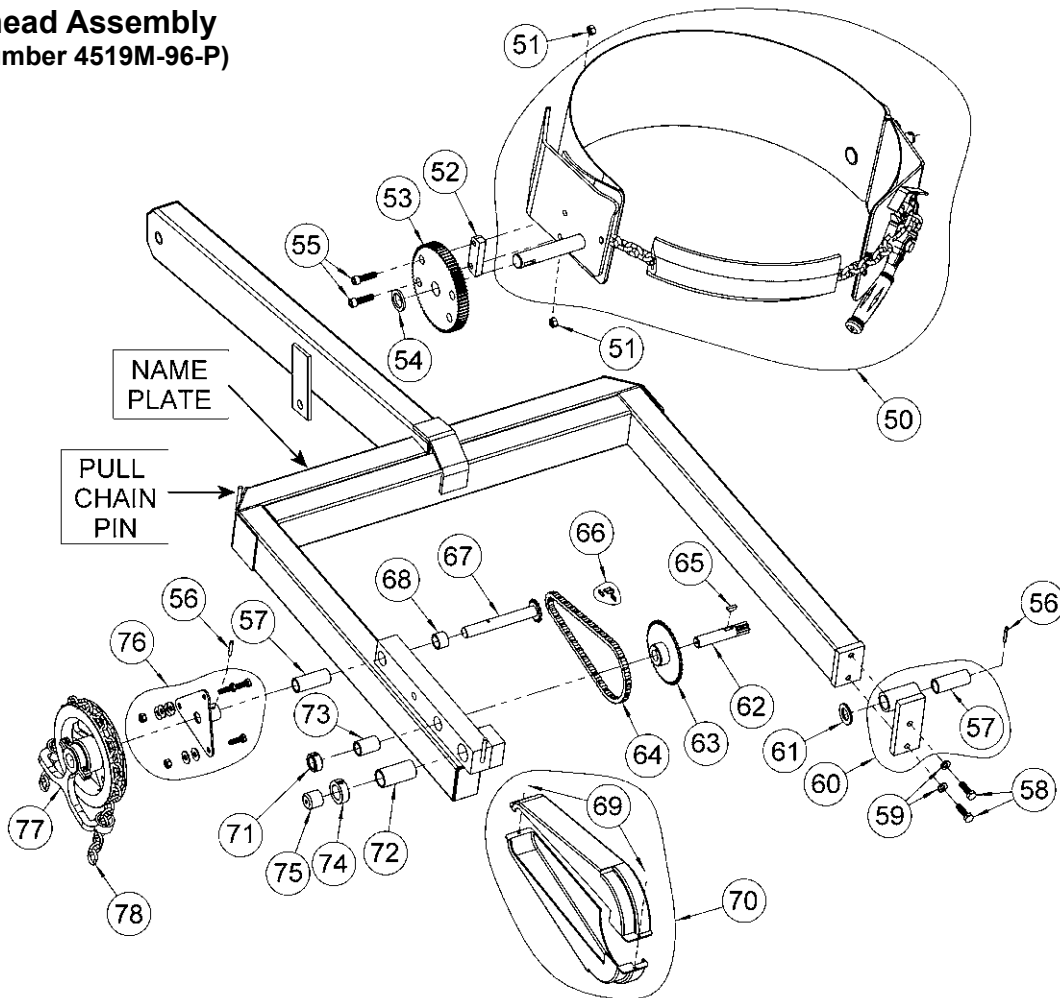
ITEM	QTY.	PART #	DESCRIPTION
15	1	3610-P	HYD FIT, MALE ELBOW, SAE
16	1	3006-P	CYLINDER, 1.5 X 29 510 515 611
17	2	136-P	GRIP, HANDLE 7/8" X 4-3/4"
18	1	3999-P	ASM, TOWER, 400AM-96
19	1	3679-P	KIT, PUMP MOUNT PLATE, ML MT
20	8	1570-P	WASHER, 5/16 USS 7/8 OD
21	2	3641-P	U-BOLT, 3/8-16, 400 PUMP MOUNT
22	1	3642W-P	MOUNT PLATE WELD, MANUAL PUMP
23	4	1474-P	WASHER, 3/8 SPLIT LOCK
24	4	149-P	NUT, 3/8-16 FIN HEX
25	4	35-P	HHCS, 5/16-18 X 1 GR2
26	1	766-P	HYD HOSE ASM, 12"
27	1	96MK1939-P	PUMP, HYD, HAND STAR
28	1	96CP13-23	HANDLE, LEVER W/ GRIP, STAR

* Recommended spare parts



Operator's Manual for Morse Hydra-Lift Karrier Model 400AM-96 with Serial Number 0409 to 1110 (MMYY)

Overhead Assembly (Part Number 4519M-96-P)

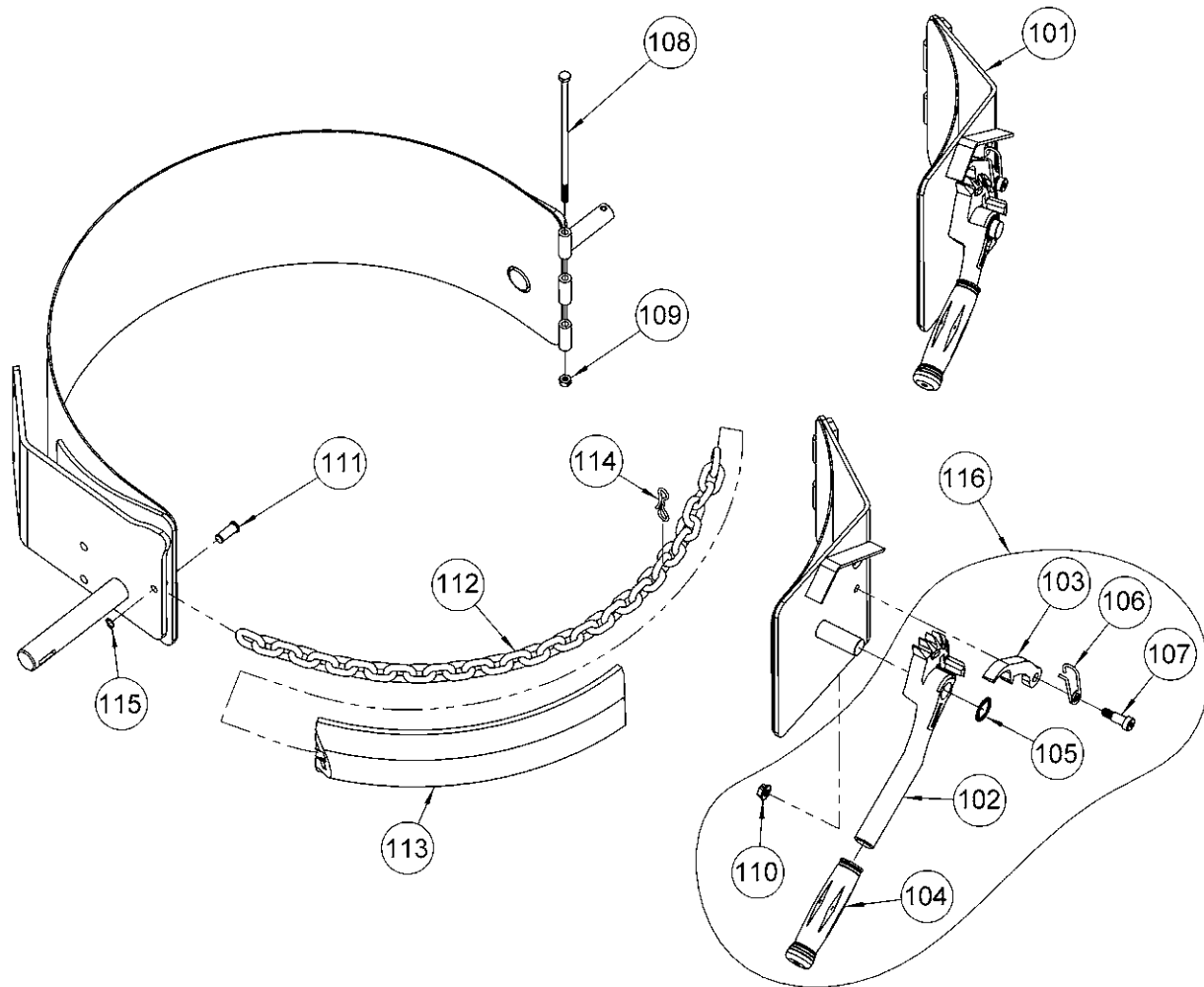


ITEM	QTY.	PART #	DESCRIPTION
50	1	5000M-P	SADDLE ASM, MORCINCH, MOR, SR
51	2	1169-P	NUT, 3/8-16 REV HEX LOCK
52	1	4473-P	SPACER, SPUR GEAR, MOR
53*	1	23-P	GEAR, SPUR, 72T, 1" HOLE
54	1	29-P	SPACER, SPUR GEAR .15"
55	2	4370-P	SHCS, 3/8-16 X 1-3/8
56*	2	64-P	ROLL PIN, 3/16 X 1-1/4
57*	2	19-P	BEARING, 3/4" ID X 2-1/2"
58	2	535-P	HHCS, 3/8-16 X 1-1/4 GR5
59	2	1474-P	WASHER, 3/8 SPLIT LOCK
60*	1	3849B-P	BEARING ASM, SLIDING IDLER
61	1	55-P	WASHER, 3/4 SAE FL 1-1/2 OD
62*	1	14-P	GEAR, PINION, 7 TOOTH
63*	1	13-P	SPROCKET #35 36T, 3/4" BORE
64*	1	12-P	CHAIN, ROLLER, #35 W/ M LINK

ITEM	QTY.	PART #	DESCRIPTION
65*	1	735-P	KEY, WOODRUFF, SIZE 9, ASA606
66	1	795-P	LINK, MASTER, #35 CHAIN
67*	1	1302-P	SHAFT W/ 12T SPROCKET, POCKET
68*	1	1411-P	SPACER, SHAFT W/ 12T SPROCKET
69	2	2182-P	WIRE / CABLE TIE, 4-33/64 (NOT SHOWN)
70	1	4285-P	COVER SET, 30:1 GEARS, REG
71	1	15-P	COLLAR, 3/4" ID
72*	1	18-P	BEARING, 1" ID X 2-1/2"
73*	1	7-P	BEARING, 3/4" ID X 1-1/2"
74	1	16-P	COLLAR, 1" ID
75	1	4235-P	CAP, PLASTIC, DRIVE SHAFT
76*	1	3M-P	TRIANGLE W/ TUBE & BOLTS, SR
77*	1	1-P	CHAIN WHEEL #1-1/2 W/ GUIDE SR
78*	1	2435-P	CHAIN, PULL, BRASS, 1/0, 12'

* Recommended spare parts.

Operator's Manual for Morse Hydra-Lift Karrier Model 400AM-96 with Serial Number 0409 to 1110 (MMYY)



ITEM	QTY.	PART #	DESCRIPTION
101*	1	4214M-P	RATCHET HINGE CPT, MOR, SR
102	1	165SS-P	RATCHET, STEEL-IT
103	1	168-P	PAWL, WITH DRILLED HOLE
104	1	4409-P	GRIP, HANDLE 7/8" X 4-3/4" RED
105	1	710-P	RETAINER, RATCHET PUSH NUT 3/4
106	1	169-P	SPRING, PAWL
107	1	170-P	SCREW, 3/8 DIA X 5/8 SHOULDER
108	1	1296-P	HHCS, 1/4-20 X 7-1/2 GR5

ITEM	QTY.	PART #	DESCRIPTION
109	1	1297-P	NUT, 1/4-20 REV HEX LOCK
110	1	4178-P	NUT, 5/16-18 FLANGE LOCK, MOR
111*	1	4172SS-P	PIN, CINCH CHAIN, 5000M-P
112*	1	4408-P	CHAIN, CINCH, 9/32 SS, 38 LINK
113*	1	4414-P	COVER, CINCH CHAIN, FLEX PVC
114	1	4710-P	PIN, BOW TIE COTTER, MOR
115*	1	4744SS-P	SNAP RING, EXTERNAL, 3/8" SS
116	1	165KITM-P	KIT, RATCHET TIGHTENER, SR

* Recommended spare parts.



**Operator's Manual for Morse Hydra-Lift Karrier Model 400AM-96
with Serial Number 0409 to 1110 (MMYY)**

Recommended Spare Parts Kit Number: RP400-30.01

Kit Description: KIT, SPARE PARTS, 400AM-96

Qty.	Part #	Description
2	705-P	CAP, HUB, PUSH-ON, 3/4"
2	87-P	WHEEL, MORTUF, 8", 3/4" BRG
2	3308-P	CASTER, 4" SWIVEL, DBL RACE
1	23-P	GEAR, SPUR, 72T, 1" HOLE
2	64-P	ROLL PIN, 3/16 X 1-1/4
2	19-P	BEARING, 3/4" ID X 2-1/2"
1	3849B-P	BEARING BLOCK, SLIDING IDLER
1	14-P	GEAR, PINION, 7 TOOTH
1	13-P	SPROCKET #35 36T, 3/4" BORE
1	12-P	CHAIN, ROLLER, #35 W/ M LINK
1	735-P	KEY, WOODRUFF, SIZE 9, ASA606
1	1302-P	SHAFT W/ 12T SPROCKET, POCKET
1	1411-P	SPACER, SHAFT W/ 12T SPROCKET
1	18-P	BEARING, 1" ID X 2-1/2"
1	7-P	BEARING, 3/4" ID X 1-1/2"
1	3M-P	TRIANGLE W/ TUBE & BOLTS, SR
1	1-P	CHAIN WHEEL #1-1/2 W/ GUIDE SR
1	2435-P	CHAIN, PULL, BRASS, 1/0, 12'
1	4214M-P	RATCHET HINGE CPT, MOR, SR
1	4172SS-P	PIN, CINCH CHAIN, 5000M-P
1	4408-P	CHAIN, CINCH, 9/32 SS, 38 LINK
1	4414-P	COVER, CINCH CHAIN, FLEX PVC
1	4744SS-P	SNAP RING, EXTERNAL, 3/8" SS
1	4195-P	KIT, SEAL, 1-1/2 CYL 0504-
1	96MK1939-20	KIT, REPAIR, STAR HYD PUMP

