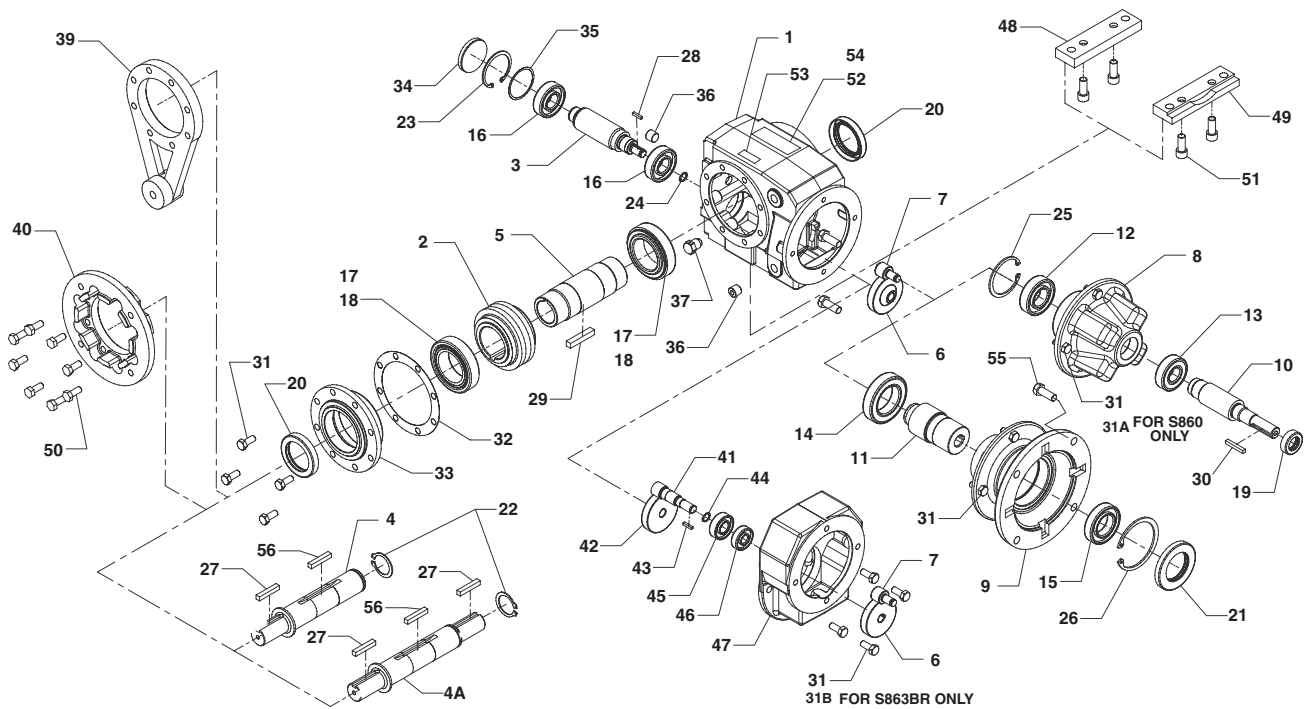


# 800 SERIES PARTS LIST — RIGHT ANGLE HELICAL WORM GEAR DRIVES



ITEM NO.	DESCRIPTION OF PART
1	HOUSING
2	O/P WORM GEAR
3	O/P WORM
4	OUTPUT SHAFT, PROJECTION (SINGLE)
4A	OUTPUT SHAFT, PROJECTION (DOUBLE)
5	OUTPUT SHAFT, HOLLOW
6	HELICAL GEAR, 1ST REDUCTOR
7	HELICAL PINION, 1ST REDUCTOR
8	INPUT BEARING CARRIER
9	MOTOR FLANGE (B5/B7-B9/B11)
10	INPUT REDUCTOR SHAFT
11	INPUT MOTOR SHAFT
12	BEARING, INPUT SHAFT (INBOARD)
13	BEARING, INPUT SHAFT (OUTBOARD)
14	BEARING, MOTOR SHAFT (INBOARD)
15	BEARING, MOTOR SHAFT (OUTBOARD)
16	BEARING, OUTPUT PINION
17	BEARING, OUTPUT SHAFT (CUP)
18	BEARING, OUTPUT SHAFT (CONE)
19	OIL SEAL, INPUT REDUCTOR SHAFT
20	OIL SEAL, OUTPUT SHAFT
21	OIL SEAL, INPUT MOTOR SHAFT
22	RETAINING RING, OUTPUT SHAFT
23	RETAINING RING, OUTPUT PINION (HOUSING)
24	RETAINING RING, 1ST REDUCTOR GEAR
25	RETAINING RING, INPUT CARRIER
26	RETAINING RING, B5/B7-B9/B11 FLANGE
27	KEY, OUTPUT SHAFT PROJECTION

ITEM NO.	DESCRIPTION OF PART
28	KEY, 1ST REDUCTION GEAR
29	KEY, OUTPUT SHAFT HOLLOW
30	KEY, INPUT REDUCTOR
31	HEX HEAD CAP SCREWS
32	OUTPUT SHIM
33	OUTPUT BEARING CARRIER
34	BORE PLUG, OUTPUT PINION
35	OUTPUT PINION SHIM
36	PLUG, PIPE
37	PLUG, OIL VENT
39	TORQUE ARM
40	OUTPUT FLANGE 11V BASE
41	HELICAL PINION, 2ND REDUCTOR (TRIPLE)
42	HELICAL GEAR, 2ND REDUCTOR (TRIPLE)
43	KEY, HELICAL PINION (TRIPLE)
44	RETAINING RING, HELICAL PINION
45	BEARING, HELICAL PINION (TRPL) OUTBOARD
46	BEARING, HELICAL GEAR (TRPL)
47	HOUSING, TRIPLE REDUCTION
48	MOUNTING FOOT
49	MOUNTING FOOT
50	SOCKET HEAD CAPSCREW
51	ALLEN HEAD CAPSCREWS
52	NAMEPLATE
53	SYNTHETIC OIL LEVEL
54	NAMEPLATE TAPE
55	MOTOR BOLTS
56	HOLLOW-TO-SOLID SHAFT KEY