

**INSTALLATION INSTRUCTIONS
for MORCINCH™ Drum Holder**

1. Bolt bottom bracket (item 5) to drum holder, using 2 bolts (item 4) and 2 nuts (item 3), bolt in place through the 2 lowest holes on bottom bracket.
2. Slide hold down (item 1) down over top of bottom bracket and tighten in place with tee handle (item 2).
3. Fasten stop bolt (item 4) and nut (item 3) into top hole of bottom bracket.

**INSTALLATION INSTRUCTIONS
for Drum Holder with Socket Tube**

1. Slide bottom bracket (item 5) up through socket tube and, using 2 bolts (item 7) and 2 nuts (item 3), bolt in place through the 2 lowest holes on bottom bracket.
2. Slide hold down (item 1) down over top of bottom bracket and tighten in place with tee handle (item 2).
3. Fasten stop bolt (item 4) and nut (item 3) into top hole of bottom bracket. Use bottom hole for 195 Series starting with serial number 0207.

ITEM	QTY.	PART #	DESCRIPTION
1	1	1371-P	HOLD DOWN, BRACKET ASM
2	1	1372-P	TEE HANDLE, BRACKET ASM, 1-1/2
3	3	1169-P	NUT, 3/8-16 REV HEX LOCK
4	3	82-P	HHCS, 3/8-16 X 2-1/4 GR2
5	1	5108-P	WELD, BRACKET, 35"
6	1	4556-P	KIT, BRACKET ASM, MORCINCH
7	2	1315-P	HHCS, 3/8-16 X 2-3/4 GR2

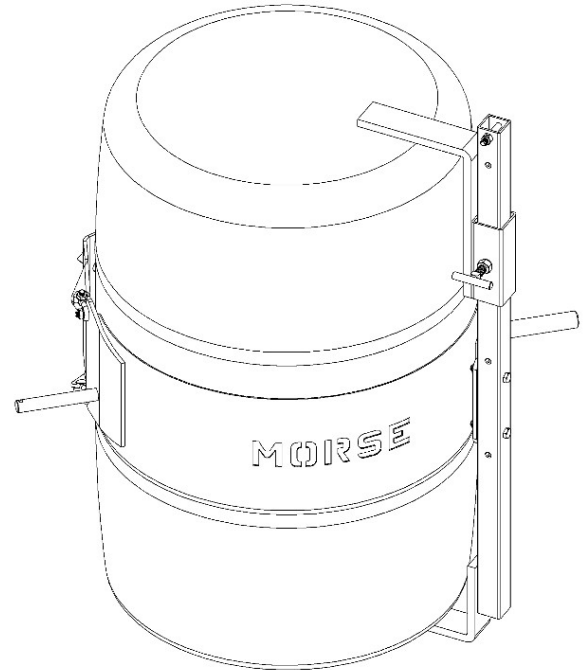
OPERATING INSTRUCTIONS

TO SECURE DRUM:

1. Position drum holder assembly so bottom bracket (item 5) rests on floor.
2. Loosen tee handle (item 2) and slide hold down (item 1) up to highest position. Tighten tee handle.
3. Load drum onto bottom bracket and into drum holder with a hand truck.
4. Loosen Tee handle and slide hold down to meet top of drum. Tighten Tee handle.
5. Secure drum with chain and ratchet mechanism. Drum is now ready to be lifted and tilted.

TO RELEASE DRUM:

1. Lower drum to floor in upright position.
2. Release chain from ratchet mechanism by applying pressure to ratchet handle in a clockwise direction with one hand and opening pawl to free ratchet with other hand. Remove chain link from ratchet.
3. Loosen tee handle and slide hold down up to highest position. Tighten tee handle.
4. Remove drum with hand truck.



WARNING - This product can expose you to chemicals including barium sulfate, cobalt, titanium dioxide, and 2-methylimidazole, which are known to the State of California to cause cancer, and bisphenol-A, which is known to the State of California to cause birth defects or other reproductive harm. For more information go to www.P65Warnings.ca.gov