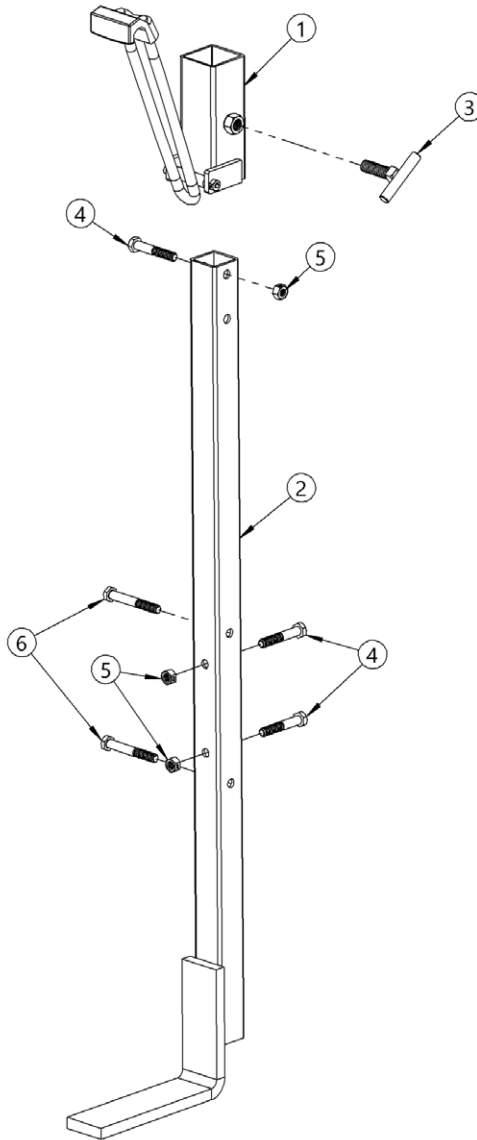


**Parts Diagram of Morse Kit # 4556CSS-P**  
**Stainless Steel Bracket Assembly**  
**for Use with Drum Cone**



ITEM #	PART #	DESCRIPTION	QTY.
1	1371CSS-P	HOLD DOWN, BRACKET, CONE SS	1
2	5108SS-P	WELD, BRACKET, 35" SS	1
3	1372SS-P	TEE HANDLE, BRACKET ASM, SS	1
4	82SS-P	HHCS, 3/8-16 X 2-1/4, SS	3
5	3981SS-P	NUT, 3/8-16 NYLON LOCK, SS	3
6	1315SS-P	HHCS, 3/8-16 X 2-3/4 SS	2



**WARNING:** This product can expose you to chemicals including barium sulfate, cobalt, titanium dioxide, and 2-methylimidazole, which are known to the State of California to cause cancer, and bisphenol-A, which is known to the State of California to cause birth defects or other reproductive harm.  
For more information go to [www.P65Warnings.ca.gov](http://www.P65Warnings.ca.gov)



[morsedrum.com](http://morsedrum.com)



[service@morsedrum.com](mailto:service@morsedrum.com)



(315) 437-8475



103 Kuhn Rd.  
Syracuse, NY, 13208 U.S.A.