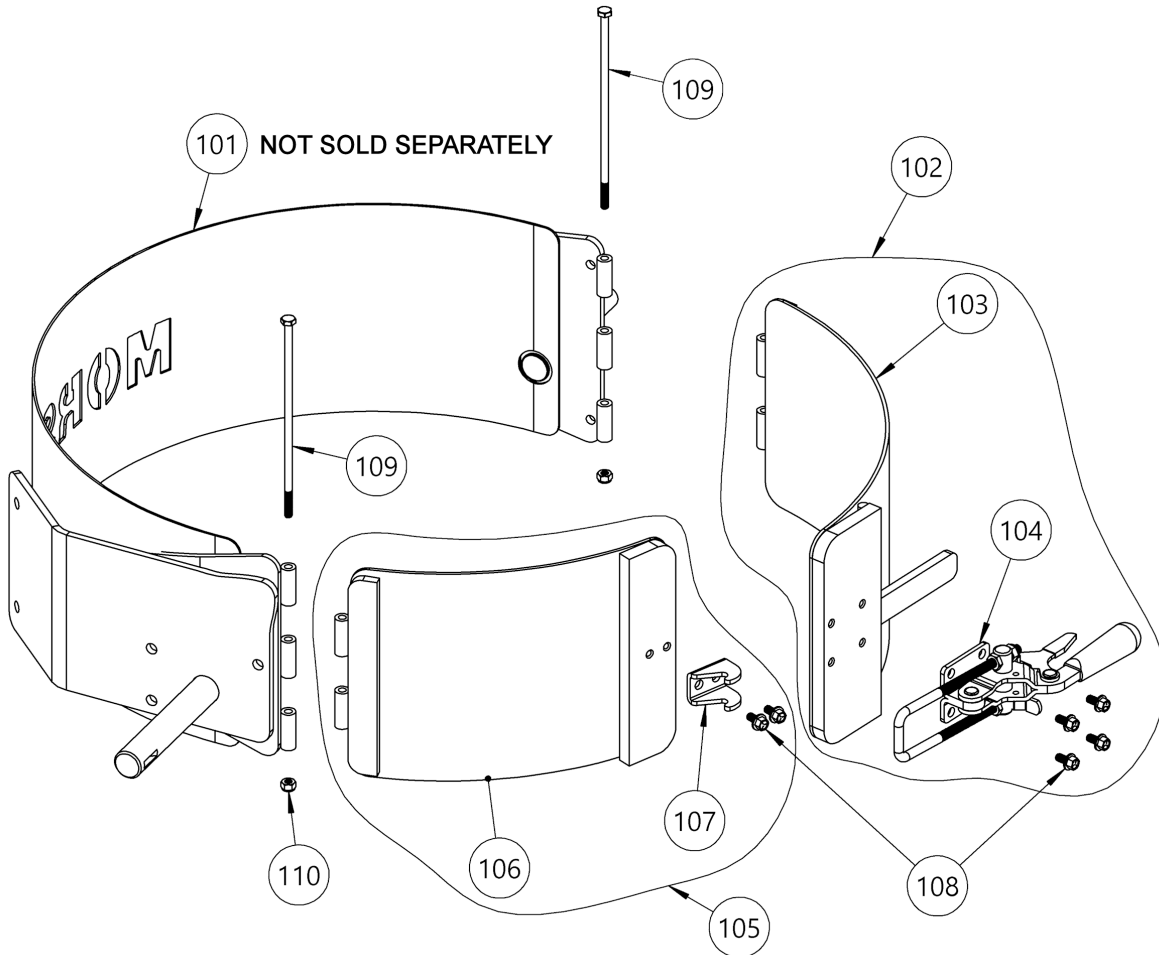


3-Piece Drum Holder Assembly

Used on:

- Model 185G and 185G-HD with Serial Number 0616 to ____ (MMYY)
- Model 285G and 285G-HD with Serial Number 0616 to ____ (MMYY)
- 400 Series with Option G-400 and serial number 0616 to ____ (MMYY)
- 500 Series with Option G-400 and serial number 264427 to _____



ITEM NO.	PART NUMBER	DESCRIPTION	QTY.
101	4210G-P	SADDLE WELD, MOR, 3PC	1
102	5933-P	HINGE CPT, CLAMP, 3PC, MOR	1
103	5933W-P	WELD, IDLER HINGE BAND, 3PC	1
104	6018-P	TOGGLE CLAMP, W/ 6" U, 5000G-P	1
105	5934-P	HINGE CPT, CATCH, 3PC, MOR	1
106	5934W-P	WELD, DRIVE HINGE BAND, 3PC	1
107	5932-P	CATCH, 341-R TOGGLE, CAMLOCK	1
108	4064-P	HHCS, 1/4-20 X 1/2 SER FLG	6
109	1296-P	HHCS, 1/4-20 X 7-1/2 GR5	2
110	1518-P	NUT, 1/4-20 NYLON LOCK	2