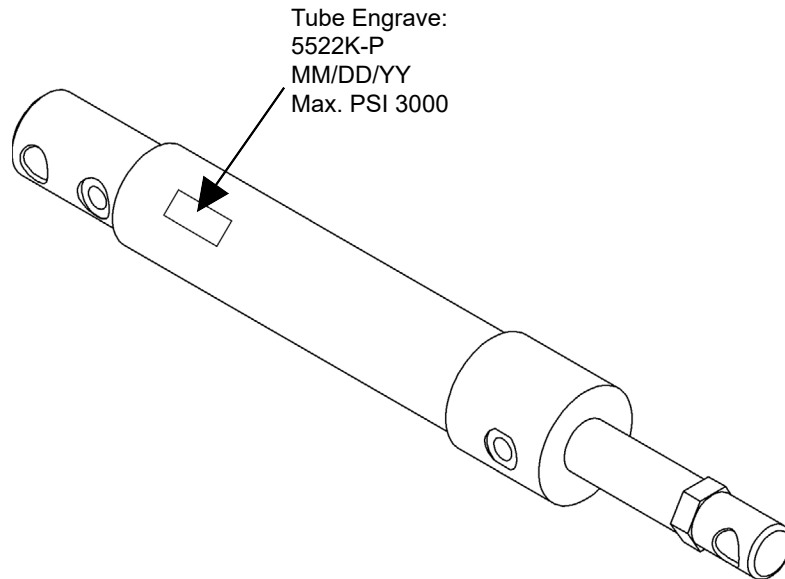


Replacement Parts List for Morse Part # 5522K-P* Hydraulic Cylinder

Used on:

- Model 285A-BP and 285XBP Forklift-Karriers with serial number 414762 to _____
- Model 289C and 289F Forklift Mounted Drum Rackers with serial number 415288 to _____
- 611 and 620 Series MORStak Drum Rackers with serial numbers 414047 to _____
- Model 910 < PILOT > MORStak Drum Racker with serial numbers 409160 to _____
- Model 290F Grip+GO™ Power-Grip Forklift Drum Handler with serial number 417374 to _____



QTY.	PART #	DESCRIPTION
1	5522K-P	CYLINDER, 2 X 10 DBL ACT, KFP
1	6748-P	KIT, SEAL, 2" CYL, 5522K-P

Note:

Stroke is 10" (25.4 cm)
 Length Closed: 19-3/4" to 20-1/8" (50.2 to 51.1 cm) Center to Center
 Length Fully Extended: 29-3/4" to 30-1/8" (75.6 to 76.5 cm) Center to Center

* The 5522K-P Cylinder might be replaced with an alternate part, due to stock shortages, lead times and availability. Alternate parts are commonly purchased from different vendors and have the same form, fit and function as original part, making them interchangeable.



morsedrum.com



service@morsedrum.com



(315) 437-8475



103 Kuhn Rd.
 Syracuse, NY, 13208 U.S.A.