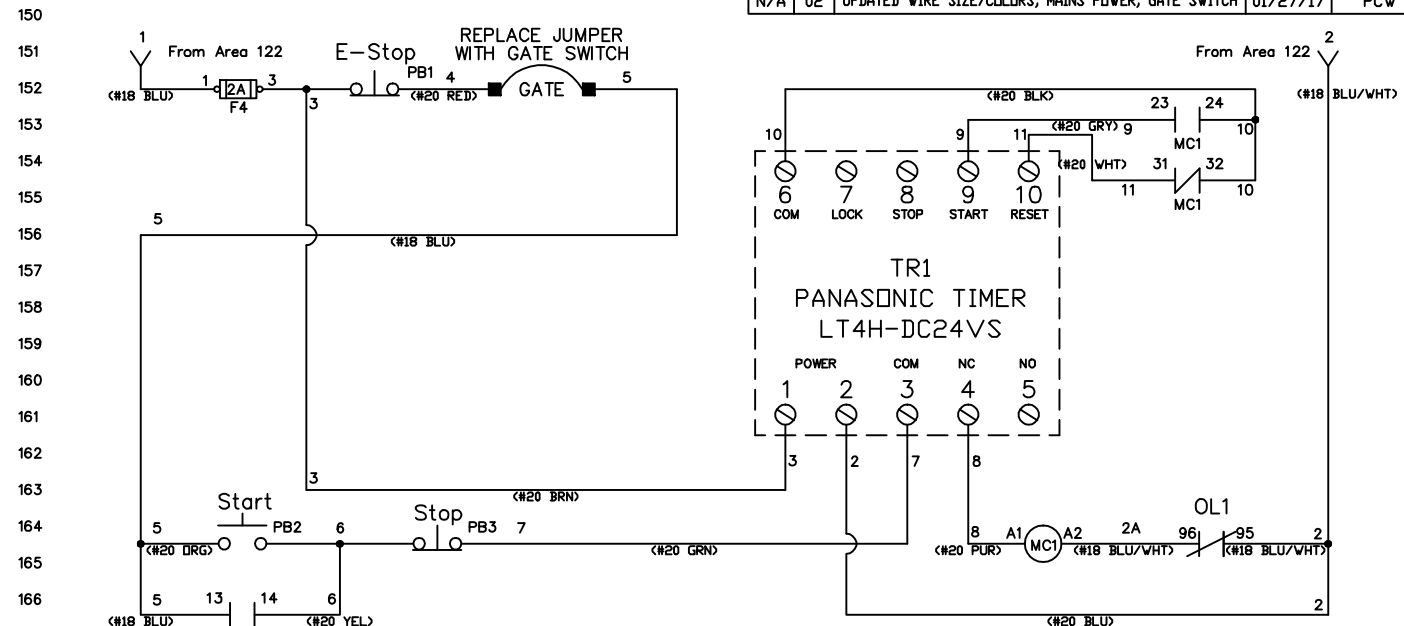
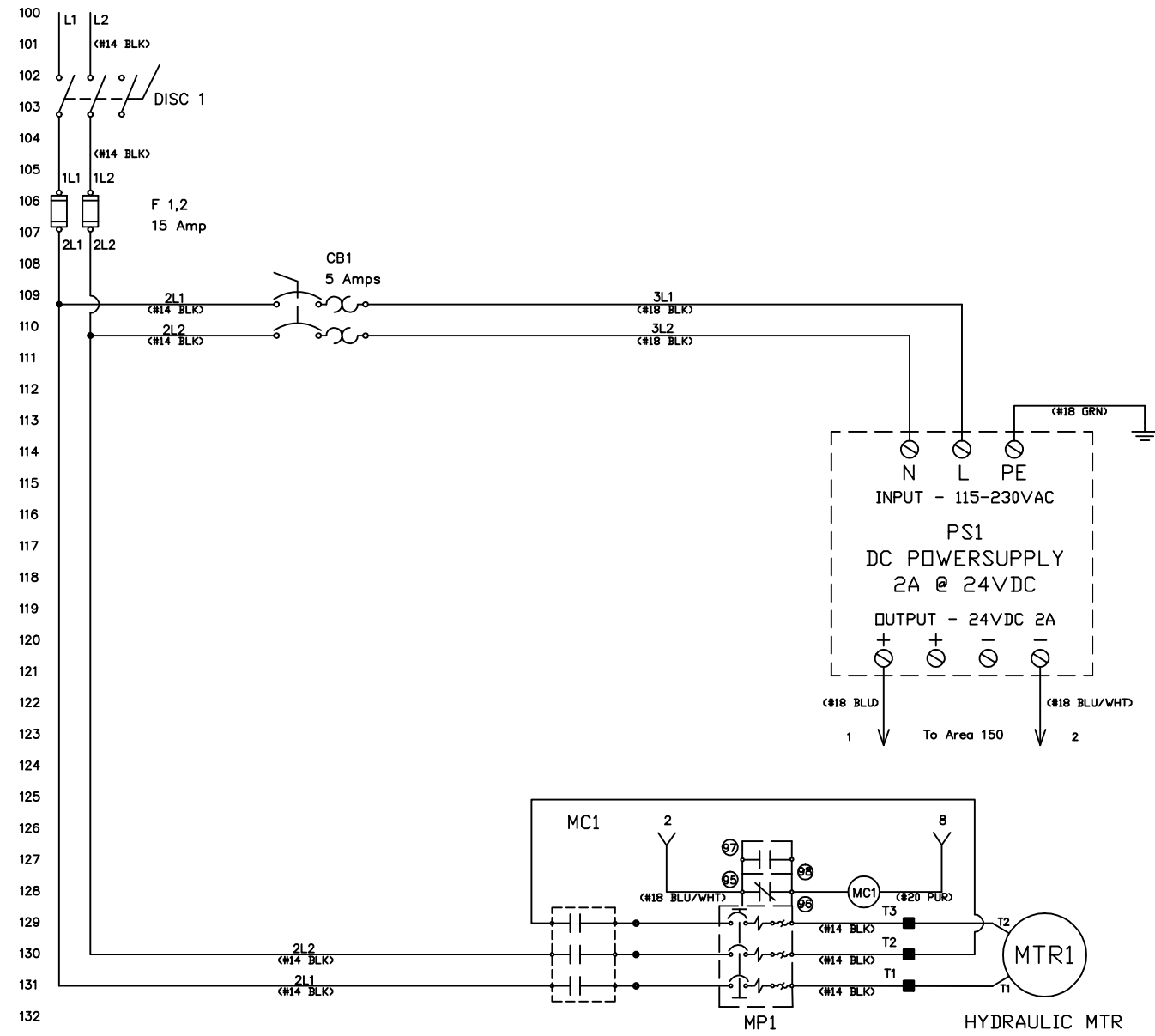


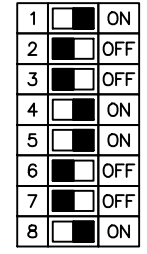
MAINS POWER  
230 VAC 1 Phase  
15 AMP



REV	DESCRIPTION	DATE	APPROVED
01	UPDATED WIRE SIZE/COLORS	10/03/16	PCW
02	UPDATED WIRE SIZE/COLORS, MAINS POWER, GATE SWITCH	01/27/17	PCW

MANUFACTURER	PART NUMBER	DESCRIPTION	QUANTITY
Automation Direct	T1-0510G-1	WIRE DUCT	1
Electrotech	WR-35AL/S	DIN Rail	1
Eurobox (EXM)	5412 ESCH121206	Enclosure, NEMA 4-12, 12" x 12" x 6"	1
Ferraz Shawmut	ATDR15	Class CC Fuse, 15 Amp, Time Delay	2
McMaster-Carr	5891T111	Electrical Hazard Warning Label	2
Mencom	PCG-1/2X	Cable Gland	1
Mencom	PCG-1/2	Cable Gland	2
Mencom	212PA	Nut	3
Panasonic	LT4H-DC24VS	LT4H Digital Timer, 24VDC, Relay Output	1
Sprecher+Schuh	FLEX6024A	Power Supply, Input 115/230VAC, Output 24VDC @2A	1
Sprecher+Schuh	CA8-12C-10-24D	Contactor	1
Sprecher+Schuh	CA8-P11	Auxiliary Contact Block, 1NO/1NC	1
Sprecher+Schuh	CT8-C12	Overload Relay 9.0 to 12.5A	1
Sprecher+Schuh	D7P-E202PX01	Pushbutton, Extended Black "STOP", 1NC	1
Sprecher+Schuh	D7P-F301FX10	Pushbutton, Flush Green "START", 1NO	1
Sprecher+Schuh	D7M-MT44MX01S	E-Stop Operator	1
Sprecher+Schuh	D7-15YSE112	E-Stop Inscription Ring	1
Sprecher+Schuh	LA7-16-1753	Base Mounted 3 Pole Switch	1
Sprecher+Schuh	LFS2-N-6-175	Switch Handle Assembly	1
Sprecher+Schuh	LA2-G3393	Metal Operating Shaft	1
Sprecher+Schuh	31 296	Fuse Holder, 2-Pole, CC Class	1
Sprecher+Schuh	V7-WFB4	Fuse Block	1
Sprecher+Schuh	V7-WG4	Ground Terminal	1
Sprecher+Schuh	V7-W4	Terminal	10
Sprecher+Schuh	V7-EA35	End Anchor	9
Sprecher+Schuh	V7-EB3	End Barrier	1
Sprecher+Schuh	V7-PP3	Partition	3
Sprecher+Schuh	V7-SM6X12	Marker Card	1
Sprecher+Schuh	L8-5/2/B	Circuit Breaker, 5 Amp, B-Curve	1
Sprecher+Schuh	V7-CJ6-2	Center Jumper	2
Woertz	WF520F/2	Fuse, 2 Amp	1

TIMER DIP SETTINGS



DESIGNED BY  
PCW  
CHECKED BY  
PCW  
DATE DRAWN  
08/03/2016  
DATE GOOD  
01/27/2017

**AACI**  
APPLIED AUTOMATION CONTROLS INC.  
1240 WOLF STREET, SYRACUSE NY 13208  
PHONE 315-453-5670 FAX 315-453-5681

THIS MATERIAL IS THE EXCLUSIVE PROPERTY OF AACI APPLIED AUTOMATION CONTROLS INC. AND MUST BE RETURNED TO AACI IMMEDIATELY UPON REQUEST. THIS MATERIAL AND INFORMATION ILLUSTRATED OR CONTAINED HEREIN MAY NOT BE REPRODUCED, COPIED, USED OR TRANSMITTED IN ANY FORM OR BY ANY MEANS WITHOUT THE PRIOR WRITTEN CONSENT OF AACI.	TITLE MORSE 5949-P (ELECTRICAL) 230VAC 50/60HZ 1PH 2HP	DRAWN BY AACI080316B	QUANTITY 1 of 1	REV 02
---	--	-------------------------	--------------------	-----------