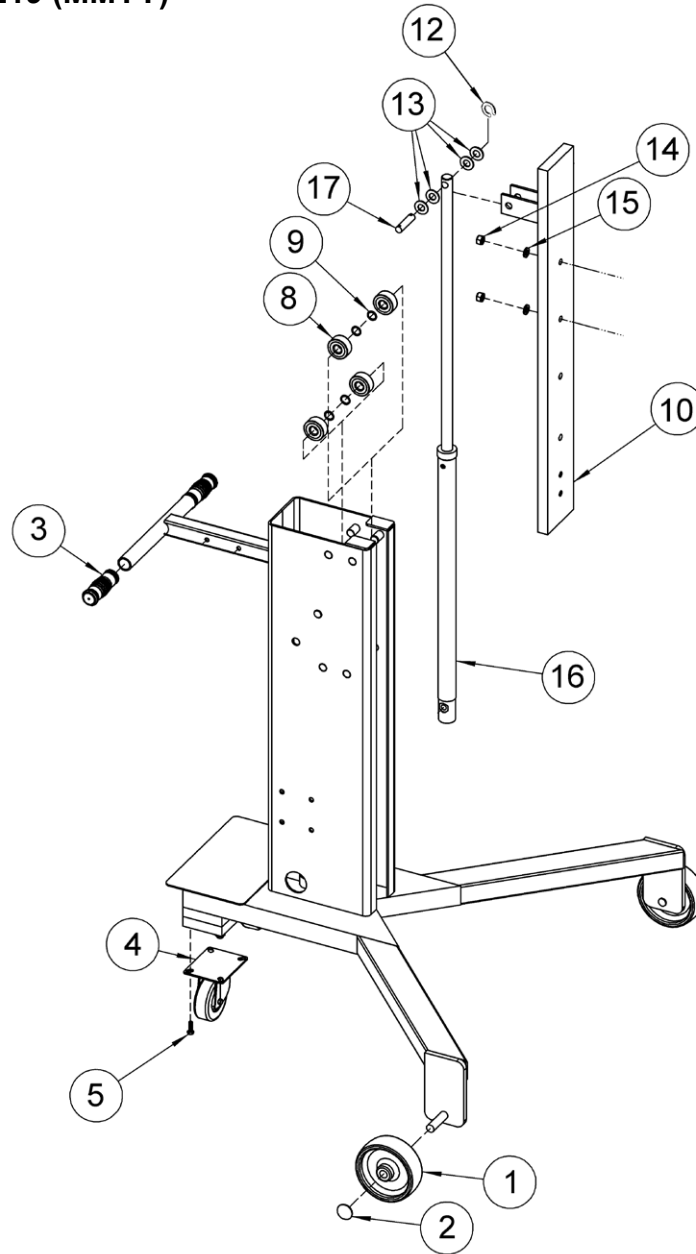


**Parts Diagram for Part # 82F-P**  
**Base Assembly of Morse 82 Series Mobile-Karrier / Palletizer**  
**Serial Number 0313 to 0219 (MMYY)**



ITEM	QTY.	PART #	DESCRIPTION
1*	2	8160-P	WHEEL, 6", 3/4" BRG, 81, 82
2*	2	15-P	COLLAR, 3/4" ID
3	2	83-P	GRIP, HANDLE, 1-1/4 X 4-1/2
4*	2	3308-P	CASTER, 4" SWIVEL, DBL RACE
5	8	6086-P	BOLT, 5/16-18 X 5/8 WHIZ
8*	4	5208-P	BEARING, 3/4 ID, SEALED
9	4	5330-P	SNAP RING, EXT, HD, .078, 3/4"

ITEM	QTY.	PART #	DESCRIPTION
10	1	5177-P	RISER WELD, 82 SERIES
12	1	5347-P	SNAP RING, EXT, HD, .05, 5/8"
13	4	17-P	WASHER, 5/8 SAE FL 1-5/16 OD
14	2	6266-P	NUT, 1/2-13 NYLON LOCK
15	2	1644-P	WASHER, 1/2 SPLIT LOCK
16	1	3611-P	CYLINDER, 1 X 24, SAE 82
17	1	5570-P	PIN, GROOVE, 5/8 X 2.125 C

\* Recommended spare parts.