

CONTENTS

	Page
Receiving Procedures.	1
Warranty.	1
Safety Information.	1 - 2
Machine Description.	3
Operating Instructions.	4 - 5
Maintenance.	5
Parts Lists and Diagrams.	6 - 9

Operator's Manual for Morse PailPRO™ 5-Gallon Pail Handler Model 83

with Serial Number 415107 to _____



Receiving Procedures

Every Morse drum handler is inspected prior to shipping. However, damage may be incurred during transit.

- Check for visible damage. If you choose to accept damaged freight, always sign noting the damage on the **Bill of Lading**.
- Document the damage and have the truck driver sign. We recommend keeping a digital camera at your receiving dock for this purpose.
- Open packages expeditiously to check the condition of the goods. There is only a 24 hour window to notify the carrier of any concealed damage.
- Immediately **report all damage to the shipping company!** Then you may contact Morse for assistance with your freight claim.
- Morse Manufacturing will not be held responsible for any damaged freight that is not signed for as damaged.

Limited 2 Year Warranty

Morse drum handling equipment is guaranteed against defects in workmanship or materials for two years when used properly within its rated capacity. Warranty does not cover wear from normal use or damage from accident or abuse. Motors and other purchased parts carry the warranties of their manufacturers.

For warranty claims, contact your Morse Dealer to obtain a return authorization number, and for return freight advice. Return freight must be prepaid.

In all instances, liability is limited to the purchase price paid or to repairing or replacing the product. Customer assumes liability for any modifications, unauthorized repairs or parts substitution.

Safety Information

While Morse Manufacturing Co. drum handling equipment is engineered for safety and efficiency, a high degree of responsibility must be placed upon the machine operator to follow safe practices, based primarily on common sense, upon which true safety depends.


Failure to follow the safety precautions in this manual can result in personal injury or property damage. Observe the same precautions as with similar machinery where carelessness in operating or maintenance is hazardous to personnel. Carefully read the safety precautions below and throughout this manual.


Review the Material Safety Data Sheet(s) for the material(s) in the drum(s) and take all necessary precautions. Safety shoes, work gloves, hard hat and other personal protective devices are recommended.


Prior to initial use, inspect all moving parts and test rotation of hand wheel and saddle assembly. Inspect saddle assembly for proper operation. Perform necessary load test, inspections, operator training, etc.

Operator's Manual for Morse Model 83
Serial Number 415107 to _____ (MMYY)

Safety Information (continued)

 **DANGER** - Indicates a situation which, if not avoided, will result in serious injury or death. This signal word is limited to the most extreme situations.

 **WARNING** - Indicates a situation which, if not avoided, could result in serious injury or death.

 **CAUTION** - Indicates a situation which, if not avoided, can result in damage to the machine.



DANGER - Stay Clear of Power Lines

KEEP WELL CLEAR OF POWER LINES. Never approach a power line. Current in a high voltage line may arc some distance from the wire to the steel framed, grounded machine.



WARNING

The PailPRO™ Pail Handler is designed to handle one can or pail of the types listed at the top of page 3, under **Machine Description**. **DO NOT** attempt to handle any other type of drum or object. **DO NOT** exceed the weight capacity of 150 Lb. (68 kg).



WARNING - Level Floors Only

For operation only on clean, level floors of suitable bearing capacity. Do not use on sloped surfaces, ramps, irregular or debris strewn floors.



WARNING - Do Not Modify the Unit

Under no circumstances should any modifications be made to the Morse machinery without factory authorization. Any modifications may void the warranty. This machine was designed to perform a specific job and alterations may result in injury to operator or machine.



WARNING - No Loose Fitting Clothing

Wear close-fitting clothing and safety equipment appropriate to the job. Loose fitting clothing may become caught on the machinery and cause severe personal injury.



WARNING - Stay Clear of Raised Pail

NEVER allow anyone to be below any part of a raised pail handler or pail. Remain behind the push handle while handling a pail.



WARNING - Do NOT Disengage the ratchet strap while pail is off the ground

When the pail is in the upright position, lower to the floor before releasing the ratchet strap.



CAUTION - Do Not Transport with Can or Pail Raised

ALWAYS LOWER THE PAIL HOLDER TO LOWEST POSITION BEFORE TRANSPORTING. The unit can become unstable when transporting with a raised load.



CAUTION - Wear Safety Shoes

Wear safety shoes with non-slip soles and hard toe protection.



WARNING: This product can expose you to chemicals including barium sulfate, cobalt, titanium dioxide, and 2-methylimidazole, which are known to the State of California to cause cancer, and bisphenol-A, which is known to the State of California to cause birth defects or other reproductive harm.

For more information go to www.P65Warnings.ca.gov

Operator's Manual for Morse Model 83
Serial Number 415107 to _____ (MMYY)

Machine Description

The PailPRO™ Pail Handler is designed to handle one pail with 11" to 12" (28 to 30.5 cm) diameter.

DO NOT attempt to handle any other type of container or object.

DO NOT exceed the capacity of 150 Lb. (68 kg), or capacity of 75 Lb. (34 kg) maximum weight if Counterweight Kit 3930-P is installed.

Operator's Manual for Morse Model 83
Serial Number 415107 to _____ (MMYY)

Operating Instructions

1. Push Pail Handler to the pail with holder in open position. Lock pail holder in horizontal position for upright pail using spring loaded plunger tilt lock. Engage holder under pail "rib".
2. Using cable winch, crank handle to position pail holder with back band at middle of pail (see Figure 1). If pail has pivoting handle, swing it to lay on front side to clear can holder back band. With ratchet strap swung open, push unit forward until back band rests firmly against pail. Engage floor lock to prevent pail handler from moving.



3. Secure pail in holder: Drape web strap around pail and engage web strap hook in eye. Use ratchet to tighten web strap around pail.



4. Adjust height of rim catch to pail top and tighten in place to prevent pail from slipping while pouring. If the pail has pivoting wire handle, swing it to lay on front side to clear back band of holder.

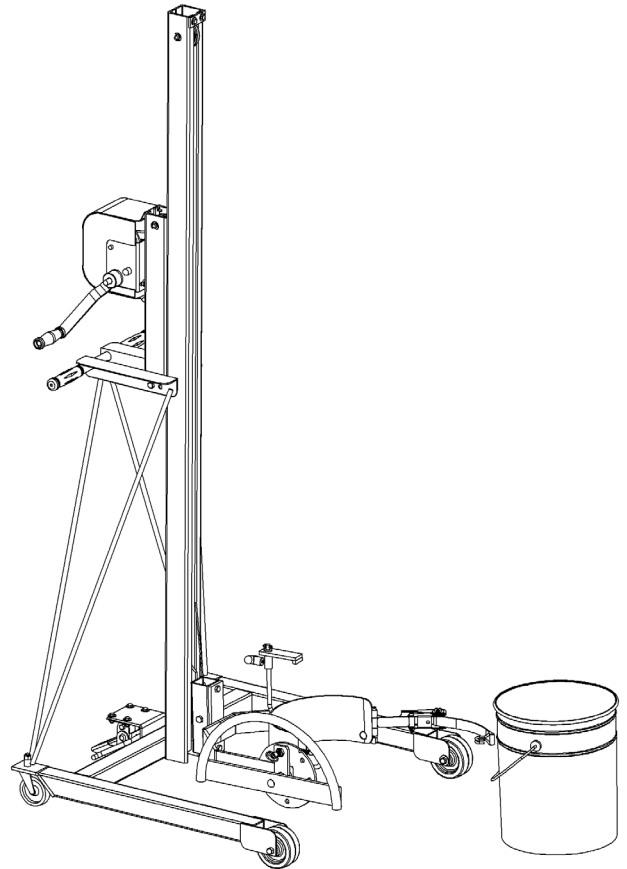


Figure 1

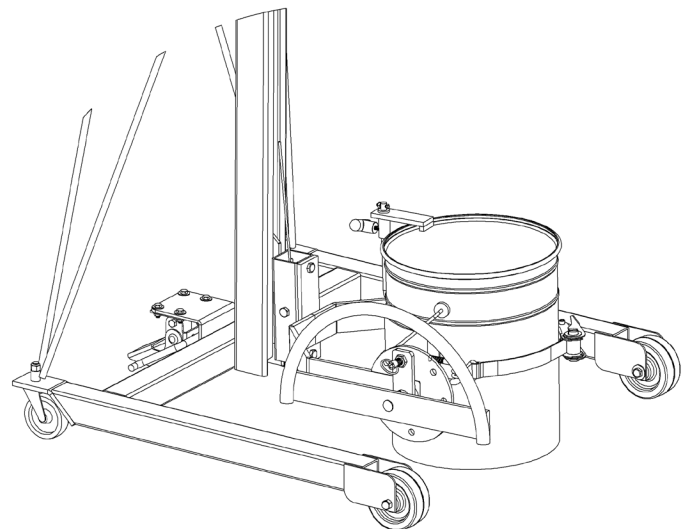


Figure 2

Operator's Manual for Morse Model 83
Serial Number 415107 to _____ (MMYY)

Some items have Special Edition Morse 100th Anniversary *GOLD* Finish

5. Crank the cable winch to lift pail about 6" (15 cm) off the floor.



6. Disengage floor lock and move to pouring station.
7. Set floor lock to prevent pail handler from moving during dispensing operation.
8. Crank cable winch to raise pail to pouring height.
9. Unlock tilt-lock to permit tilting pail. It is recommended that you steady pail and be prepared for its possible tendency to tilt toward its heavier side.
10. With tilt-lock unlocked, use hand wheel to tilt pail for pouring. Pail pouring angle may be varied, or it can be locked in various positions with tilt-lock.
11. When dispensing is complete, tilt pail back to upright position. Engage tilt-lock to lock pail upright.
12. Disengage floor lock to back away from pouring station.
13. Lower pail to transporting height; about 6" (15 cm) off the floor.
14. Push pail handler to storage area and lower to floor. Engage floor lock.
15. To remove pail from holder, raise top catch, release web strap and open can holder.
16. Roll Pail Handler away from pail.



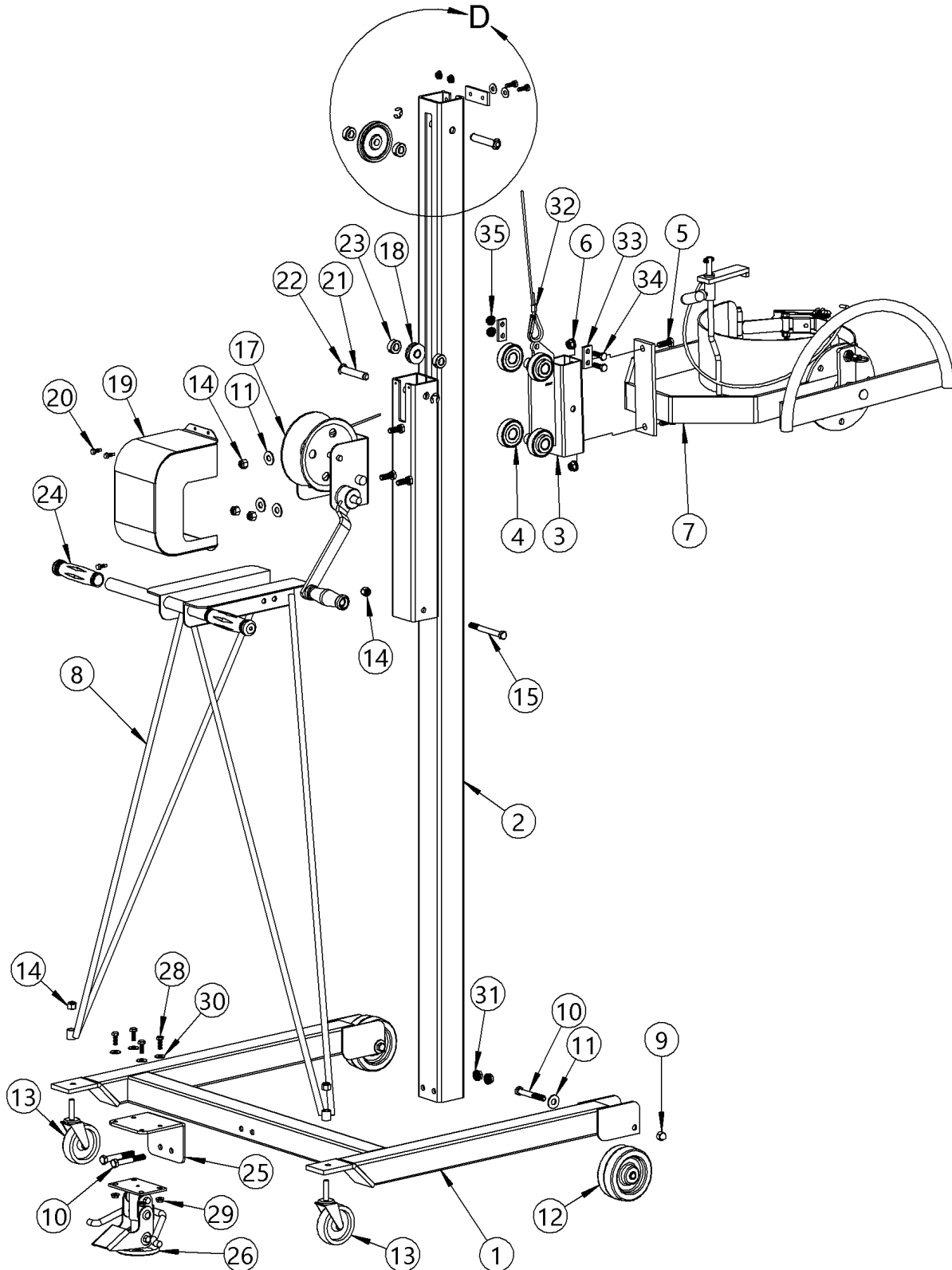
Maintenance

Periodic inspection for the general condition of structural and mechanical components is imperative for safe and efficient operation.

Periodically inspect all moving parts, framework, and contact areas for signs of wear, fatigue, or loosening. Tighten, adjust, or replace parts as necessary to prevent failure and maintain proper function.

Periodically lubricate vertical track rollers, casters, wheels, saddle shafts, and cable pulleys and/or shafts.

Operator's Manual for Morse Model 83
Serial Number 415107 to _____ (MMYY)

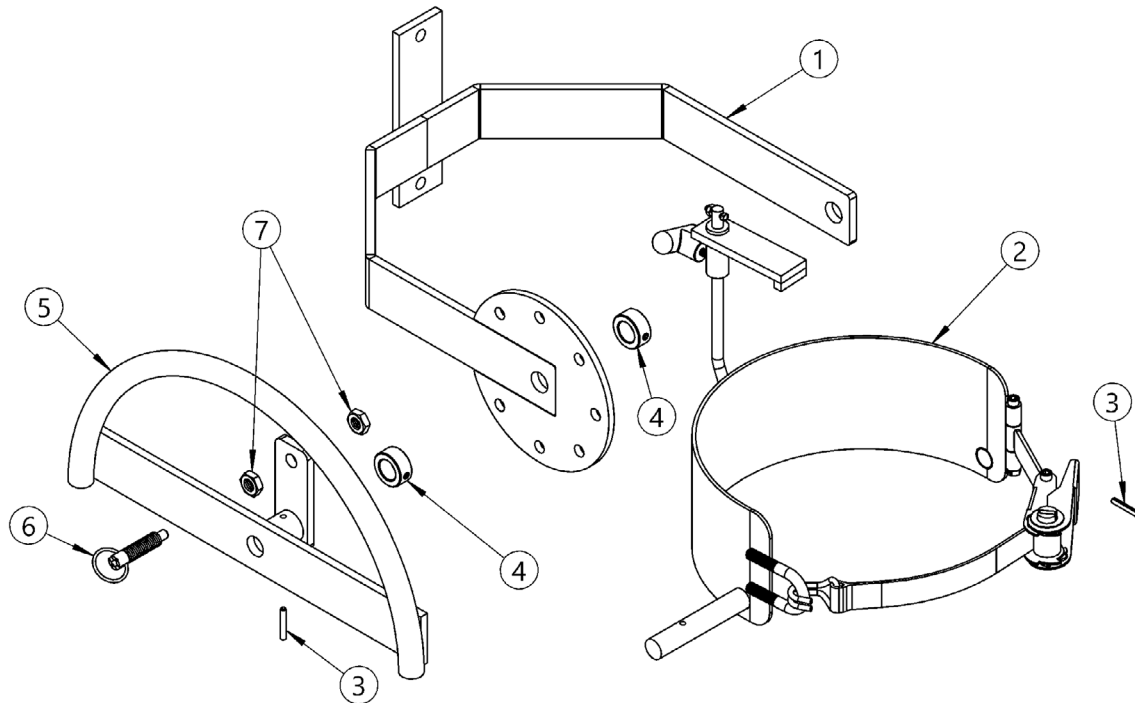


Operator's Manual for Morse Model 83
Serial Number 415107 to _____ (MMYY)

ITEM NO.	PART #	DESCRIPTION	QTY.
1	3790-P	BASE WELD, 83	1
2	6672-P	MAST WELD, 83	1
3	4085W-P	TROLLEY WELD, 83	1
4	5208-P	BEARING, 3/4 ID, SEALED	4
5	1572-P	HHCS, 3/8-16 X 1 GR2 ZINC	2
6	4002-P	NUT, 3/8-16 WHIZ LOCK	2
7	6814-P	YOKE ASM, 83	1
8	4358-P	HANDLE WELD, 83	1
9	3921-P	NUT, ACORN, 3/8-16	2
10	1315-P	HHCS, 3/8-16 X 2-3/4 GR2	4
11	1166-P	WASHER, 3/8 USS 1" OD, ZINC	5
12	3885-P	WHEEL, 4 X 1-1/2, 83	2
13	3789-P	CASTER, STEM, 3" SWIVEL, 83	2
14	3981-P	NUT, 3/8-16 NYLON LOCK	6
15	4381-P	HHCS, 3/8-16 X 3-1/2 GR5	1
16	3798-P	TOP SHEAVE, 3" POLY, 83 PP	1
17	5063-P	WINCH, 83, 0411-	1
18	3911-P	MID SHEAVE, 1-1/2 STEEL, 83	1
19	5685-P	COVER, WINCH, 83 LC	1
20	193-P	SCREW, TEK, 12-14 X 3/4 3 PT	3
21	6614-P	PIN, GROOVE, 1/2 X 2.520"	2
22	3461-P	E CLIP, 1/2"	4
23	1035-P	COLLAR, 1/2"	4
24	136-P	GRIP, HANDLE 7/8" X 4-3/4"	2
25	6778-P	MOUNT BRACKET, FLOOR LOCK 83	1
26	6790-P	FLOOR LOCK, STEP DOWN 4.94"	1
27	6816-P	BRACE, MAST TOP, 83	1
28	1714-P	HHCS, 1/4-20 X 3/4 GR2	6
29	3923-P	NUT, 1/4-20 WHIZ LOCK	6
30	1866-P	WASHER, 1/4 USS 3/4 OD	6
31	4002-P	NUT, 3/8-16 WHIZ LOCK	2
32	6885-P	WIRE CABLE CPT, 1/8", 83	1
33	6756-P	LINK, CONNECTING, 83-125	2
34	35-P	HHCS, 5/16-18 X 1 GR2	2
35	1634-P	NUT, 5/16-18 WHIZ LOCK	2

Operator's Manual for Morse Model 83
Serial Number 415107 to _____ (MMYY)

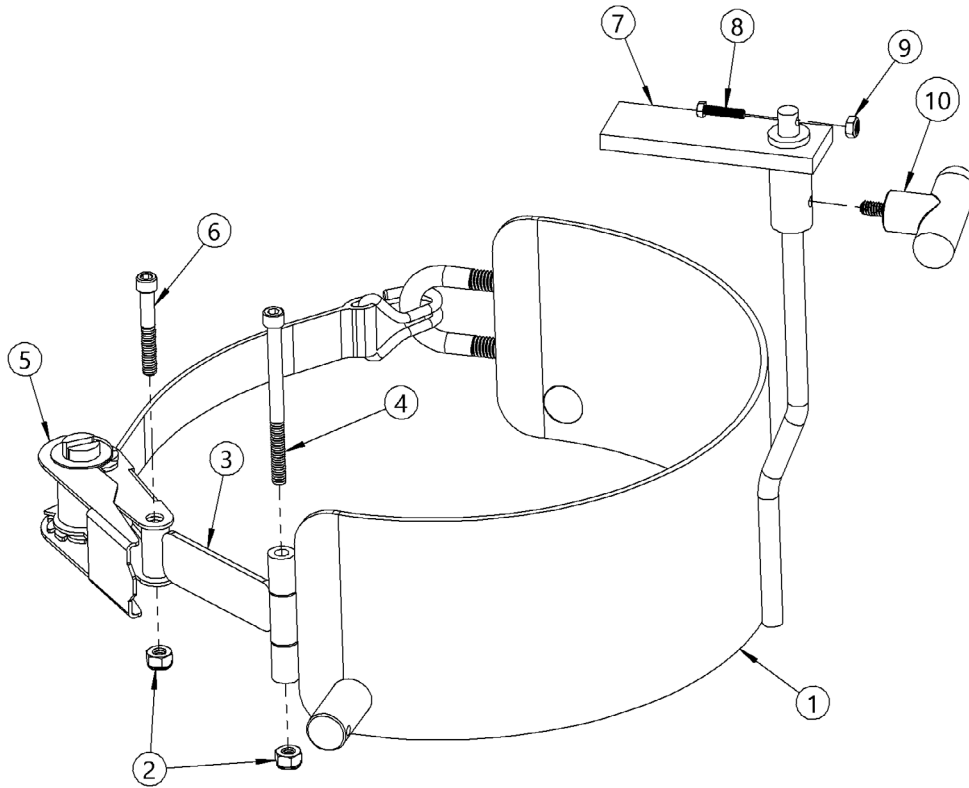
Carriage Assembly Part # 6814-P



ITEM NO.	PART NUMBER	DESCRIPTION	QTY.
1	6670-P	YOKE WELD, 83	1
2	6795-P	SADDLE ASM, 85-5, 83	1
3	64-P	ROLL PIN, 3/16 X 1-1/4	2
4	15-P	COLLAR, 3/4" ID	2
5	6630-P	HANDWHEEL WELD, 83 85-5	1
6	4697-P	PLUNGER, 1/2-13, PULL RING	1
7	4687-P	NUT, 1/2-13 JAM	2

Operator's Manual for Morse Model 83
Serial Number 415107 to _____ (MMYY)

Can Holder (Saddle) Assembly Part # 6795-P



ITEM NO.	PART NUMBER	DESCRIPTION	QTY.
1	6795W-P	WELD, BACK BAND, 85-5, 83	1
2	1518-P	NUT, 1/4-20 NYLON LOCK	2
3	6737W-P	WELD, FRONT BAND, 83, 85-5	1
4	3804-P	SHCS, 1/4-20 X 3-1/4	1
5	6783-P	STRAP ASM W/ RATCHET 1"	1
6	6278-P	SHCS, 1/4-20 X 1-3/4	1
7	6786W-P	HOLD DOWN WELD, 83 85-5	1
8	6847-P	HHCS, 8-32 X 3/4", ZINC	1
9	3394-P	NUT, 8-32 NYLON LOCK	1
10	6784-P	KNOB, THREADED 1/4-20 83 85-5	1