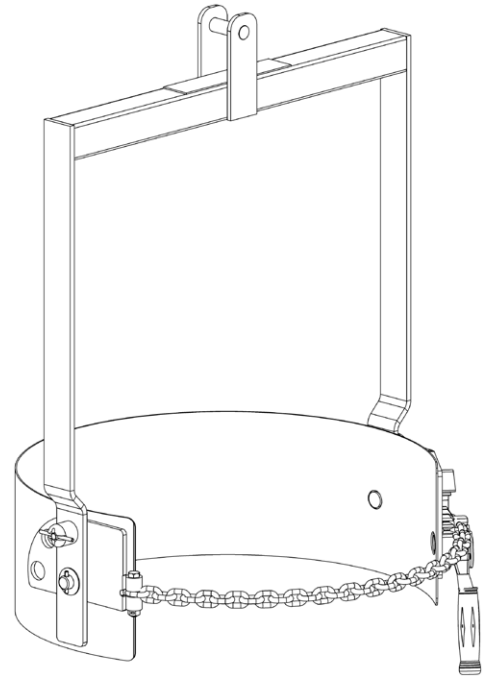


CONTENTS

	Page
Receiving Procedures.	1
Warranty.	1
Safety Information.	1 - 2
Machine Description.	3
Operating Instructions.	3
Maintenance.	3
Parts List and Diagram.	4 - 5

Operator’s Manual
for Morse Drum Karrier
with Spark Resistant Parts
Model 85AM

Serial number 0318 to ____ (MMYY)



Receiving Procedures

Every Morse drum handler is inspected prior to shipping. However, damage may be incurred during transit.

- Check for visible damage. If you choose to accept damaged freight, always sign noting the damage on the **Bill of Lading**.
- Document the damage and have the truck driver sign. We recommend keeping a digital camera at your receiving dock for this purpose.
- Open packages expeditiously to check the condition of the goods. There is only a 24 hour window to notify the carrier of any concealed damage.
- Immediately **report all damage to the shipping company!** Then you may contact Morse for assistance with your freight claim.
- Morse Manufacturing will not be held responsible for any damaged freight that is not signed for as damaged.

Limited 2 Year Warranty

Morse drum handling equipment is guaranteed against defects in workmanship or materials for two years when used properly within its rated capacity. Warranty does not cover wear from normal use or damage from accident or abuse. Motors and other purchased parts carry the warranties of their manufacturers.

For warranty claims, contact your Morse Dealer to obtain a return authorization number, and for return freight advice. Return freight must be prepaid.

In all instances, liability is limited to the purchase price paid or to repairing or replacing the product. Customer assumes liability for any modifications, unauthorized repairs or parts substitution.

Safety Information

While Morse Manufacturing Co. drum handling equipment is engineered for safety and efficiency, a high degree of responsibility must be placed upon the machine operator to follow safe practices, based primarily on common sense, upon which true safety depends.

Failure to follow the safety precautions in this manual can result in personal injury or property damage. Observe the same precautions as with similar machinery where carelessness in operating or maintenance is hazardous to personnel. Carefully read the safety precautions below and throughout this manual.

Review the Material Safety Data Sheet(s) for the material(s) in the drum(s) and take all necessary precautions. Safety shoes, work gloves, hard hat and other personal protective devices are recommended.

Prior to initial use, inspect all moving parts. Perform necessary load test, inspections, operator training, etc.



morsedrum.com



service@morsedrum.com






(315) 437-8475



103 Kuhn Rd.
Syracuse, NY, 13208 U.S.A.

Operator's Manual for Morse Model 85AM Drum Karrier with Spark Resistant Parts
Serial number 0318 to ____ (MMYY)

Safety Information (continued)

	DANGER - Indicates a situation which, if not avoided, will result in serious injury or death. This signal word is limited to the most extreme situations.
	WARNING - Indicates a situation which, if not avoided, could result in serious injury or death.
	CAUTION - Indicates a situation which, if not avoided, can result in damage to the machine.



WARNING - Drum Karriers are designed to handle one drum of the types listed at the top of page 3. Machine Description. DO NOT attempt to handle any other type of drum or object.



WARNING - DO NOT exceed the weight capacity of 800 Lb. (363 kg).



WARNING - DO NOT operate damaged or malfunctioning unit, or a unit with missing parts.



WARNING - DO NOT lift people or suspend loads over people. Stay clear of suspended loads.



WARNING - DO NOT lift loads higher than necessary.



WARNING - DO NOT leave suspended loads unattended.



WARNING - DO NOT remove or obscure warning labels.



WARNING - DO NOT operate without first having read and understood operating manual.



WARNING - DO NOT make alterations or modify the unit. Under no circumstances should any modifications be made to the Morse machinery without factory authorization. Any modifications may void the warranty. This machine was designed to perform a specific job and alterations may result in injury to operator or machine.



WARNING - Wear safety shoes with non-slip soles and hard toe protection.



CAUTION: DO NOT allow drum to impact on floor, ground, etc.



WARNING: This product can expose you to chemicals including barium sulfate, cobalt, titanium dioxide, and 2-methylimidazole, which are known to the State of California to cause cancer, and bisphenol-A, which is known to the State of California to cause birth defects or other reproductive harm. For more information go to www.P65Warnings.ca.gov

Operator's Manual for Morse Model 85AM Drum Karrier with Spark Resistant Parts
Serial number 0318 to ____ (MMYY)

Machine Description

Model 85AM Drum Karrier is designed to lift, transport and dispense a standard 55-gallon (210 liter) steel drum 22.5" (57 cm) in diameter. Maximum capacity is 800 Lb. (363 kg).

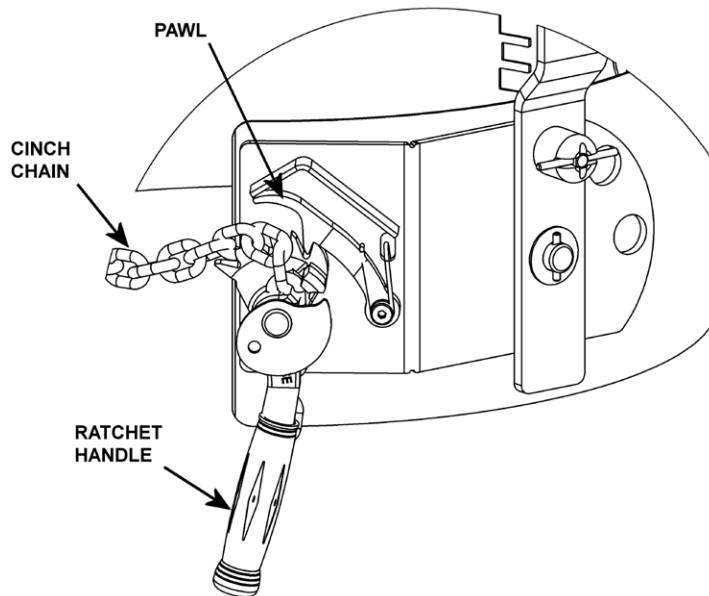


Important

1. Review Material Safety Data Sheet(s) for material(s) in drum(s) and take all necessary precautions. Safety shoes, work gloves, hard hat and other personal protective devices are recommended.
2. Read all instructions thoroughly before attempting to operate Morse drum handler.
3. 85 Series Drum Karriers have maximum capacity rating of 800 Lb. (363 kg) for FULL drum and 500 Lb. (227 kg) for HALF-FULL drum, and are designed to lift and move drum of size and type noted above. DO NOT exceed this rating. Exceeding this rating or handling drums other than those mentioned above is unsafe and could result in equipment damage, excessive wear, awkward or dangerous handling.
4. When loading, unloading, operating, or maintaining your MORSE drum handler, always use care and good judgment. Maintain secure footing and a firm hold. Keep hands and loose clothing away from all moving parts. Never allow anyone to be below any part of raised drum handler or drum. Read operating instructions and review pictures in sales brochure before operation.
5. Morse 85 Series are a "Group 1 structural and mechanical" below-the-hook lifting device which are covered by the American National Standard ASME B30.20. The user should comply with all aspects of this standard.

Operating Instructions

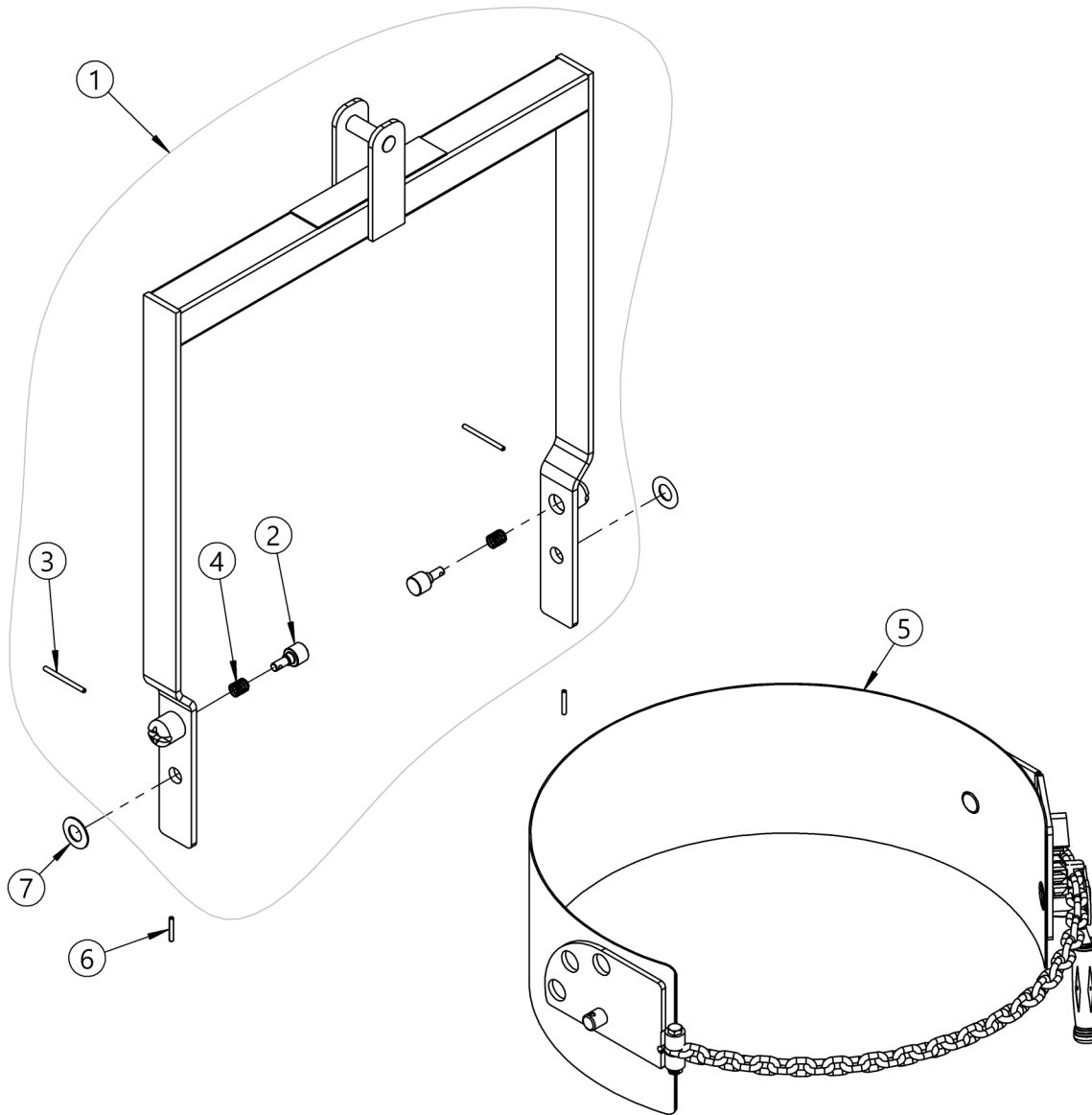
1. Start with Drum Karrier on floor. Lower hoist and engage hoist hook to lift Drum Karrier.
2. Raise hoist to lift Drum Karrier clear of floor and transport it to drum.
3. Suspend Drum Karrier at height which aligns drum saddle with center of drum.
4. With Cinch Chain hanging freely, push Drum Karrier against drum so that drum holder (saddle) will encircle drum.
5. Secure drum: drape Cinch Chain across face of drum and engage link in notch in hub of ratchet (shown right). Pull up on ratchet handle to tighten chain. If chain doesn't cinch tightly on drum, lift pawl to loosen and release chain and try again with different link in notch. Firm hand pressure on ratchet handle should tighten chain sufficiently to hold drum. DO NOT use mechanical aids such as pipe to extend handle for extra leverage.
6. Either one of two spring loaded plunger tilt-locks may be locked to hold drum upright. It is not necessary to lock both of them.
7. Raise hoist and position drum at pouring station.
8. Before unlocking tilt-lock(s) to permit tilting drum, it is recommended that you steady drum and be prepared for its possible tendency to tilt toward its heavier side.
9. With tilt-locks unlocked, manually tilt drum for pouring. Vary drum pouring angle or lock in various positions by one of the tilt-locks.
10. After emptying drum, rotate it back to upright and lower hoist to return empty drum.
11. To remove drum, pull ratchet handle to relieve pressure on ratchet teeth, and lift pawl handle to release teeth engagement and rotate ratchet to loosen chain and allow its removal from notch.



Maintenance

1. Lubricate ratchet, pawl, tilt locks, fulcrum shafts and other moving parts periodically to maintain free action and reduce wear.
2. Periodically inspect all moving parts, framework and contact areas for signs of wear, fatigue or loosening. Tighten, adjust or replace parts as necessary to prevent failure and maintain proper function.

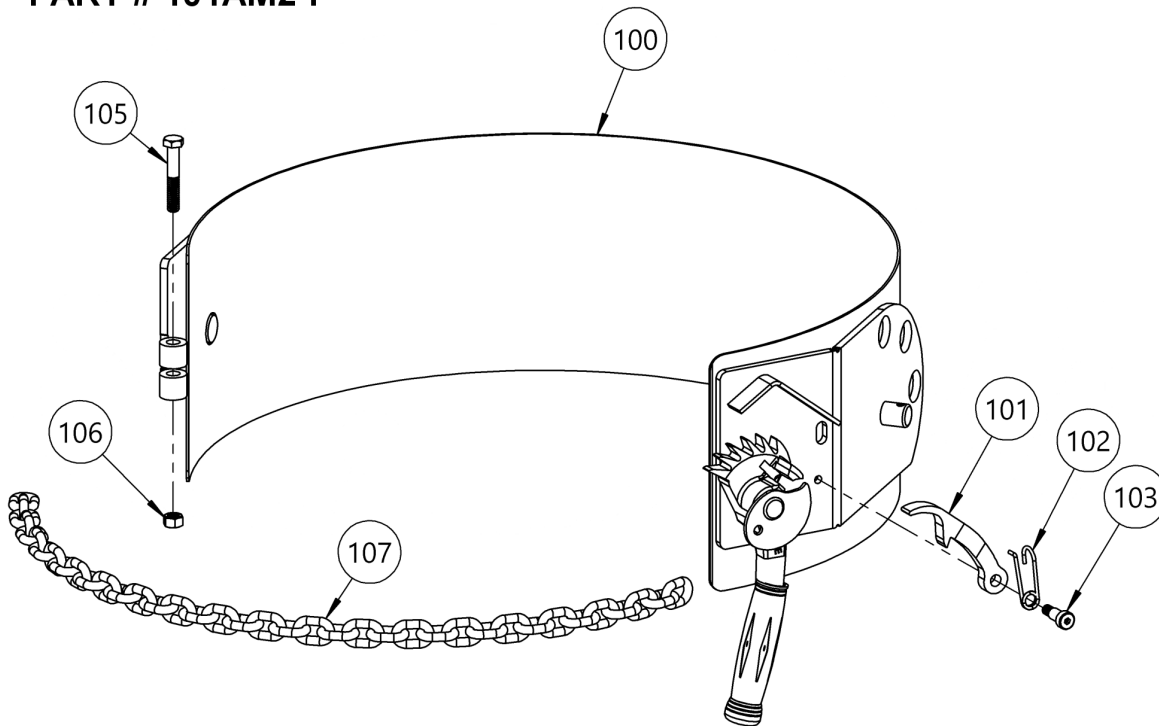
Operator's Manual for Morse Model 85AM Drum Karrier with Spark Resistant Parts
Serial number 0318 to ____ (MMYY)



ITEM NO.	PART NUMBER	DESCRIPTION	QTY.
1	6078M-P	LIFT YOKE CPT, 85, SR	1
2	59-P	PLUNGER, 80, 85	1
3	61-P	ROLL PIN, 3/16 X 2-1/2	1
4	60-P	SPRING, PLUNGER, 80, 85	1
5	101AM2-P	SADDLE ASM, 80A, 85A	1
6	64-P	ROLL PIN, 3/16 X 1-1/4	2
7	62-P	WASHER, 3/4 SPRING	2

Operator's Manual for Morse Model 85AM Drum Karrier with Spark Resistant Parts
Serial number 0318 to ____ (MMYY)

DRUM HOLDER (SADDLE)
PART # 101AM2-P



ITEM NO.	PART NUMBER	DESCRIPTION	QTY.
100	130AM2-P	SADDLE WELD, 80AM, 85AM, SR	1
101	168-P	PAWL, WITH DRILLED HOLE	1
102	169-P	SPRING, PAWL	1
103	170-P	SCREW, 3/8 DIA X 5/8 SHOULDER	1
104	136-P	GRIP, HANDLE 7/8" X 4-3/4"	1
105	4079-P	HHCS, M8 X 60 MM CL8.8, 8MM	1
106	4081-P	NUT, M8 ESNA, 8MM	1
107	4408-P	CHAIN, 9/32 CINCH, SS, 38 LINK	1