

**Parts Diagram for Morse Model 90-SS Stainless Steel Verti-Karrier  
for 55-gallon (210 liter) drum  
Serial Number 0814 to \_\_\_\_ (MMYY)**



**IMPORTANT NOTE**

4-Digit serial numbers are simply the month & year of manufacture

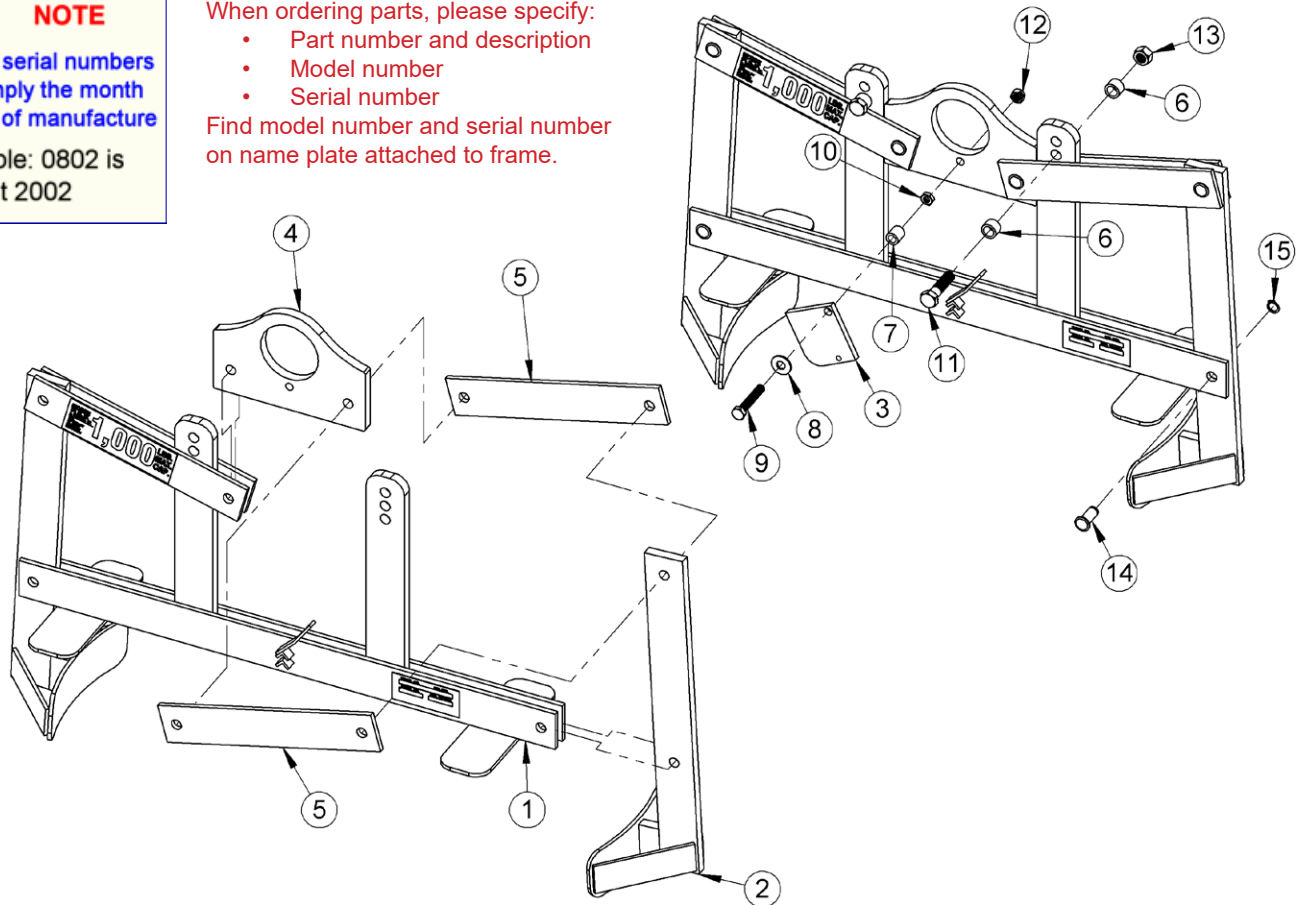
Example: 0802 is August 2002

For replacement parts, please contact your Morse dealer.

When ordering parts, please specify:

- Part number and description
- Model number
- Serial number

Find model number and serial number on name plate attached to frame.



ITEM NO.	PART NUMBER	DESCRIPTION	Default/QTY.
1	144SS-P	BASE WELD, SS, 90-SS	1
2	143SS-P	ARM WELD, SS, 90-SS	2
3	145SS-P	LATCH WEIGHT WELD, SS, 90-SS	1
4	980SS-P	LIFTING PLATE, SS, 90-SS	1
5	985SS-P	LINK, SS, 90-SS	4
6	151SS-P	STOP SPACER, SS, 90-SS	4
7	1968SS-P	LATCH SPACER, 90-SS/ HINGE 7SS	1
8	1166SS-P	WASHER, 3/8 USS, SS	1
9	4492SS-P	HHCS, 3/8-16 X 2, SS	1
10	1165SS-P	NUT, 3/8-16 JAM SS	1
11	3358SS-P	HHCS, 1/2-13 X 2-1/4, SS	2
12	3981SS-P	NUT, 3/8-16 NYLON LOCK, SS	1
13	810SS-P	NUT, 1/2-13 NYLON LOCK, SS	2
14	5344SS-P	PIN, GROOVE, 1/2 X 1.062 C SS	6
15	5345SS-P	SNAP RING, EXT, HD, SS, 1/2"	6