

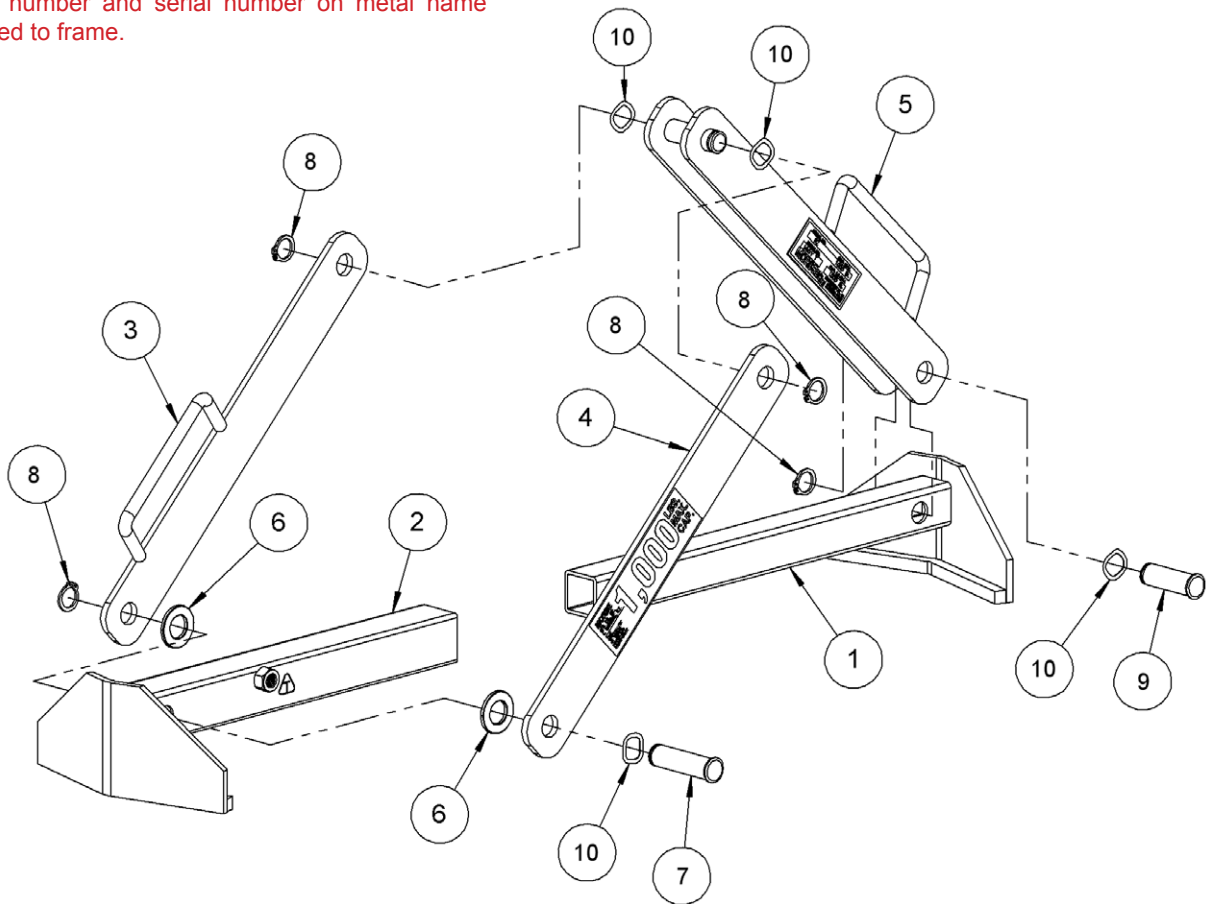
**Operator's Manual for Morse Model 92  
 Drum Lifter for 18" to 26" Diameter Rimmed Drum  
 with Serial Number 1015 to \_\_\_\_ (MMYY)**

For replacement parts, please contact your Morse dealer.

When ordering parts, please specify:

- Part number and description
- Model number
- Serial number

Find model number and serial number on metal name plate attached to frame.



ITEM NO.	PART NUMBER	DESCRIPTION	QTY.
1	1439-P	SMALL SLIDER TUBE WELD, 92	1
2	1438-P	LARGE SLIDER TUBE WELD, 92	1
3	1440-P	LINK WELD W/ HANDLE, 92	1
4	1429-P	LINK, 92	1
5	5588-P	DOUBLE LINK WELD, 92	1
6	55-P	WASHER, 3/4 SAE FL 1-1/2 OD	2
7	5585-P	CLEVIS PIN, GROOVE 3/4 X 2-7/8	1
8	5330-P	SNAP RING, EXT, 3/4"	4
9	5586L-P	PIN, GROOVE, 3/4 X 2.18 C	1
10	4319-P	WAVE DISC SPRING, 3/4" .0105"	4