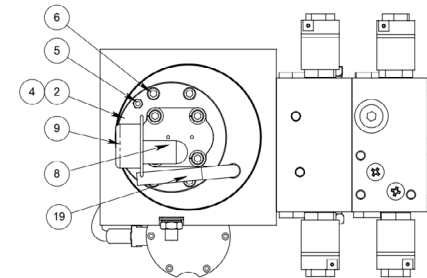
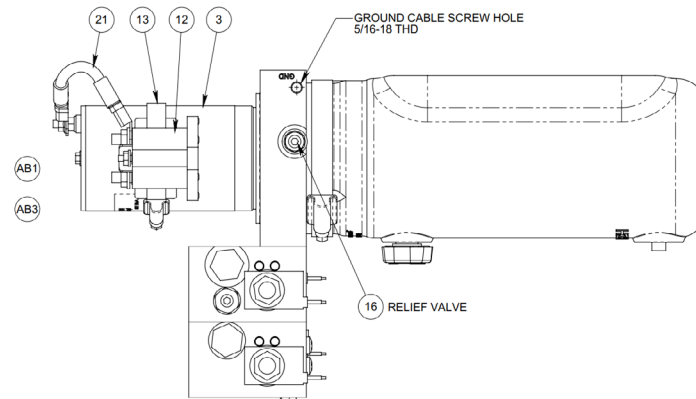
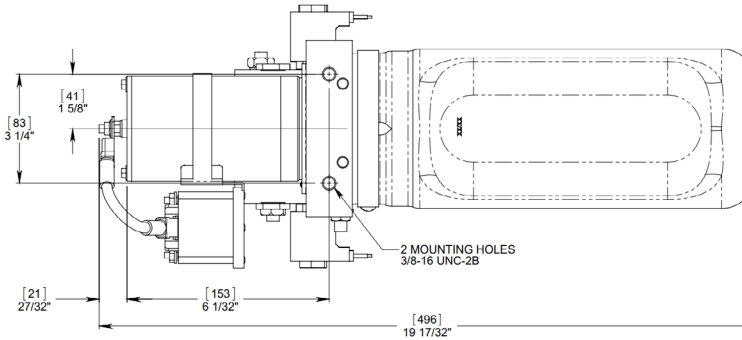
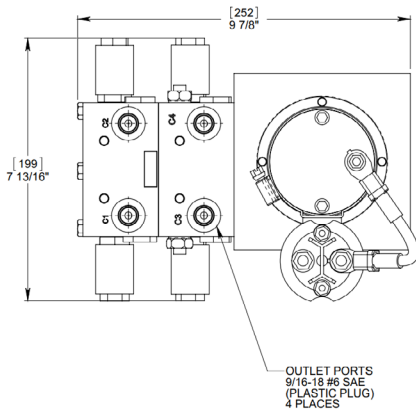
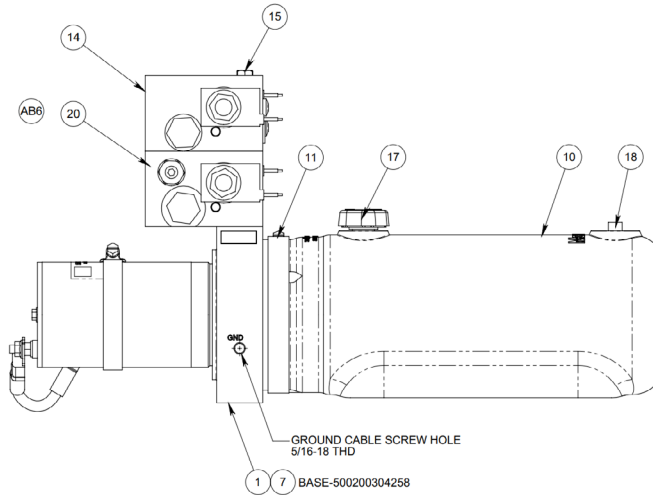
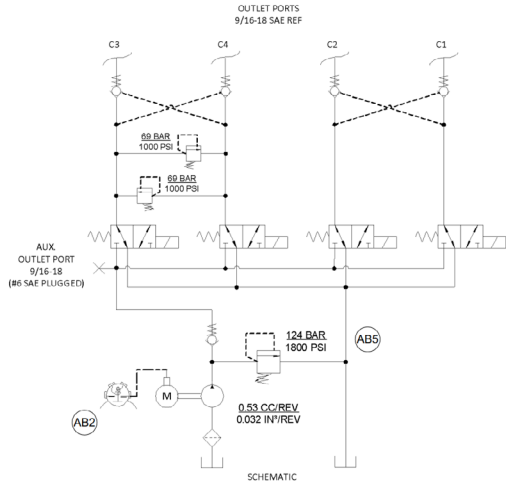


Parts List and Diagram for Hydraulic Power Pack Morse Part # M3530-P

Used on Morse Model 290F
Power Grip Forklift Drum Handler
with Serial Number 291577 to _____



VIEW SHOWN WITH OUT RESERVOIR

ITEM	QTY.	PART #	DESCRIPTION
1	1	M12345-P	BASE ASM, M3530-P, MON
2	1	M37150-P	PUMP ASM, M3530-P, MON
3	1	M08053-P	* MOTOR, 12V DC, M642 A-BP
4	1	M17121-P	SHAFT, INTERMED, MICRO, DC
5	2	M17018-P	PIN, DOWEL, 1/4 X 3/4, M3551
6	4	M07763-P	SHCS, 1/4-20 X 1-1/4
7	2	M00118-P	O-RING, .63 X .75 X .16 MON
8	1	M01209-P	TUBE, FILTER SUCTION, DC
9	1	M01134-P	FILTER SCREEN, SUCTION MON
10	1	M06104-P	RESERVOIR, 4-1/2 X 12, M3530-P
11	1	M07900-P	CLAMP, HOSE, WORM GEAR, RSV
12	1	M17744-P	SWITCH, SOLENOID, 12V DC
13	1	M07892-P	CLAMP, HOSE, WORM, 2.31-3.25
14	1	M18078-P	VALVE ASM, 12VDC, 4W, CART TOP
15	3	M07585-P	HHCS, 1/4-20 X 5", MON
16	1	M22555-P	VALVE ASM, BLUE, >1000PSI R/V
17	1	M03171-P	PLUG, BREATHER, FILLER, 3/8"
18	1	M16007-P	PLUG, PLASTIC, 3/8" NPT, MON
19	1	M01203-P	TUBE, RETURN, 1/8 NPTF, M3551
20	1	M19090-P	VALVE ASM, 12VDC, 4WAY W/O OV
21	1	M07963-P	CABLE, W/ LUGS, 5", 6GA, MON

Maintenance for Hydraulic Power Pack

Maintenance info for Hydraulic Pump

Recommended oil is petroleum based Dexron III ATF or equivalent (non-synthetic).
Change oil yearly.

Recommended Operating Conditions:

- Oil Temperature Range: 10°F to 170°F (-25°C to 77°C)
- Operating Temperature: 50°F to 130°F (10°C to 54°C)

Oil Viscosity:

- Optimum 100 to 350 SUS (Cst = .22 X SUS – 135/SUS)
- Minimum 100 SUS at Operating
- Maximum Start Up 4000 SUS

Recommended Filtration:

- 10 micron nominal or better

The system should not be disassembled in the field for maintenance. These are pass or fail components.

If the valve or pump fails it will need to be replaced due to wear on components.

The root cause for the failure needs to be taken into account to avoid contaminating the new components or to avoid exposing them to the same fail parameters.