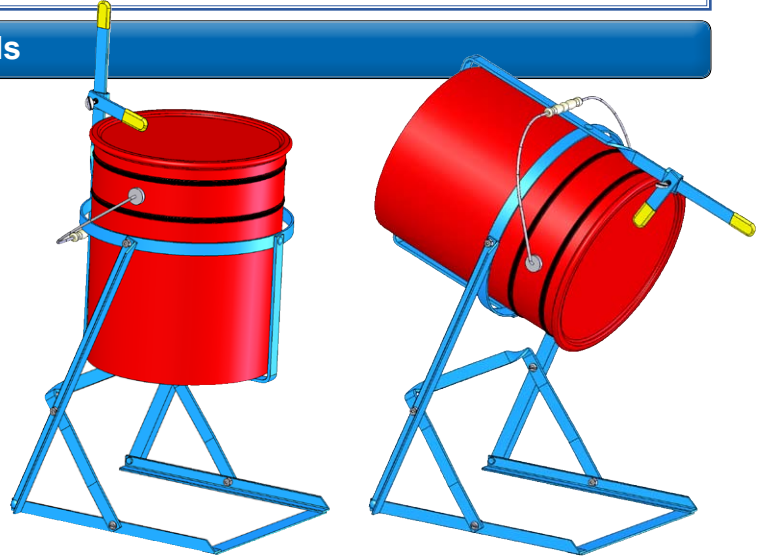


Ergonomic Dispensing of 5-Gallon Cans or Pails

- Control dispensing from heavy 5-gallon (19 liter) cans or pails
- Increase employee safety
- Reduce spills of valuable contents and environmental contamination
- Capacity: 75 Lb. (34 kg) per Can



Model 15 Can Tipper

Model 15 handles a 5-gallon (19 liter) can or pail. A safety lock holds the pail in the holder. Folds for easy storage.

Dispensing height is 10" (25 cm).

Handle a can up to 12.25" (31.2 cm) in diameter, and from 10" to 19" (25.4 to 48.3 cm) tall.

Capacity: 75 Lb. (34 kg).



Model 2-15 Double Can Tipper

Model 2-15 Double Can Tipper handles one or two 5-gallon (19 liter) cans or pails. Dispense from either can.

Top pail dispenses at 34" (86 cm) high.

Ring of top pail holder is 43" (109 cm) high

Handles two 5-gallon (19 liter) cans or pails up to 12.25" (31.2 cm) in diameter, and from 10" to 19" (25.4 to 48.3 cm) tall.

Capacity: 75 Lb. (34 kg) per can.



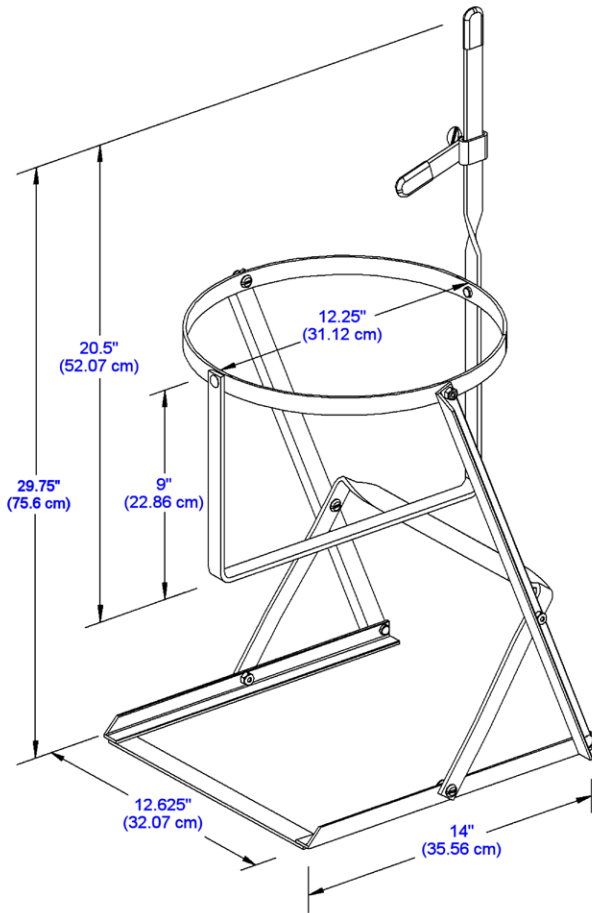
Model 15-SS Stainless Steel Can Tipper

Model 15-SS is the same as model 15, but made of type 304 stainless steel.

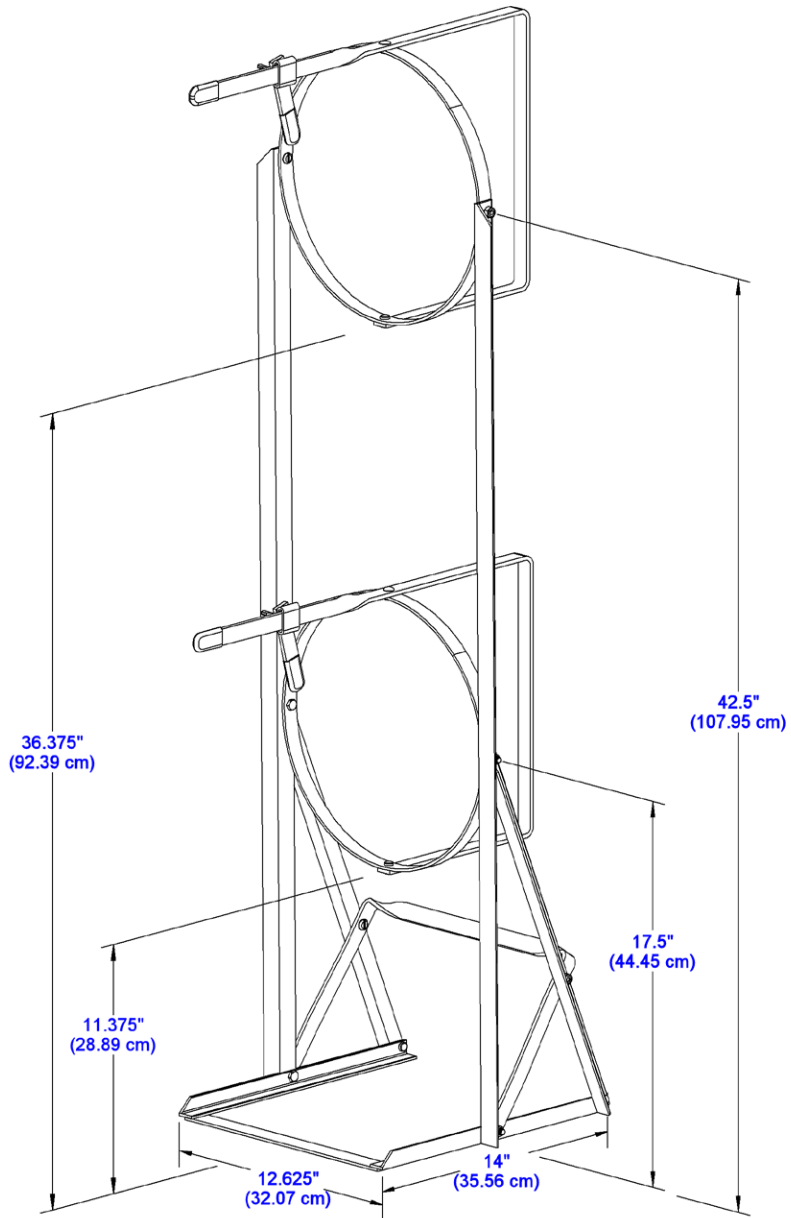
Model #	Description	Handles
15	5-Gallon Can Tipper	1 5-Gallon (19 liter) Pail on Can
2-15	Double 5-Gallon Can Tipper	1 or 2 5-Gallon (19 liter) Pails or Cans
15-SS	Stainless Steel Can Tipper	1 5-Gallon (19 liter) Pail on Can

Dimensions

MADE
 IN
 USA



Models 15 and 15-SS



Model 2-15