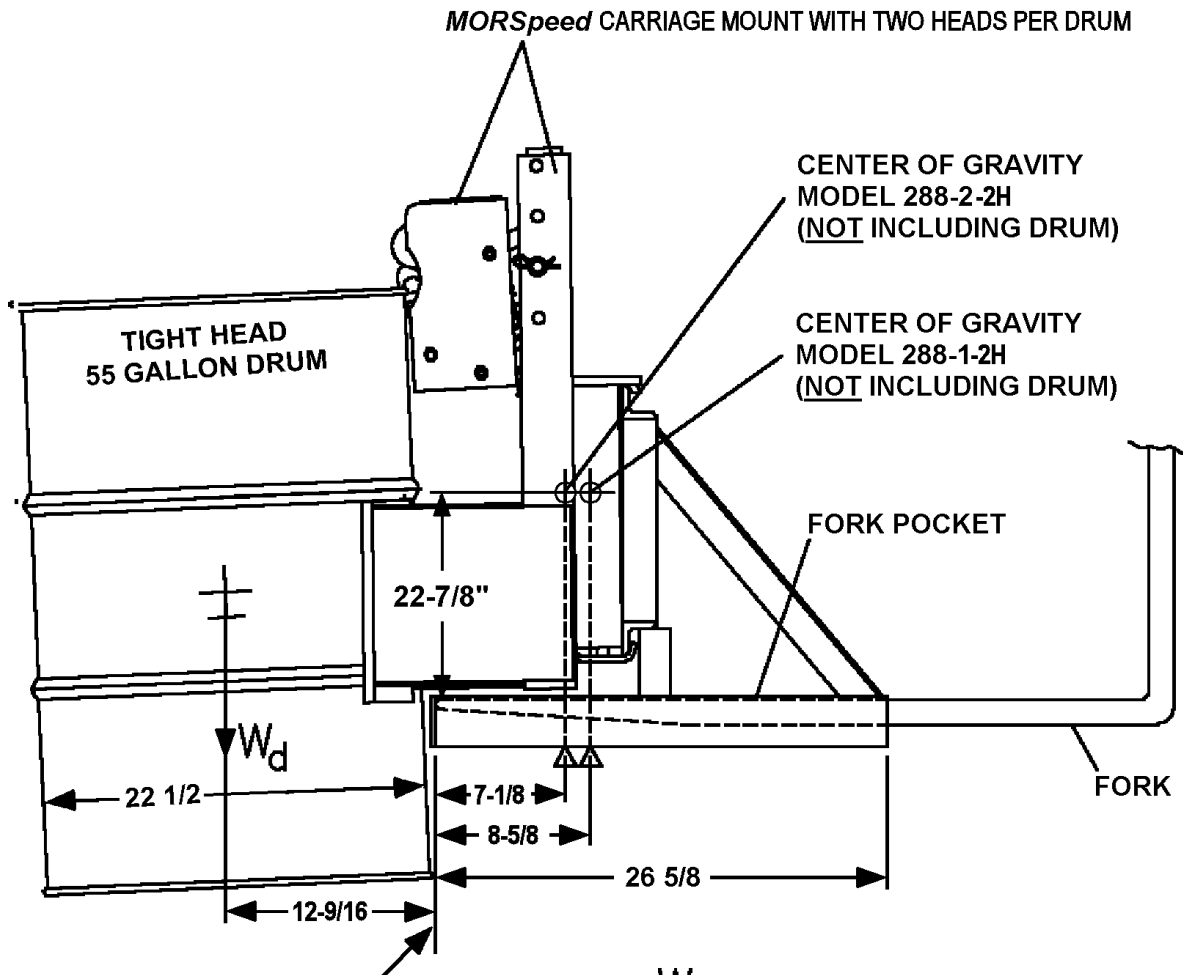


### LOST LOAD CAPACITY WITH MORSE MODEL 288-1-2H or 288-2-2H MORSpeed Fork Truck Attachments Serial Numbers 0301 to \_\_\_\_\_

#### CENTER OF GRAVITY DIMENSIONS FOR CALCULATING LOST LOAD ON EQUIPMENT



DIMENSIONS ARE MEASURED FROM INSIDE OF FORK TUBE END. THIS WILL GIVE A FIXED POINT TO WHICH LOST LOAD DATA CAN BE DETERMINED. (FORKS MUST BE TOUCHING THIS FORK TUBE END.)

$W_d$  = WEIGHT OF DRUM  
 MAX = 1500 LB. FOR 288-1  
 MAX = 3000 LB. FOR 288-2

MODEL	NET WEIGHT
288-1-2H	294 Lb.
288-2-2H	465 Lb.

OPTION	ADD TO MODEL
2523-P	5 LB.
(2) 2523-P	10 LB.