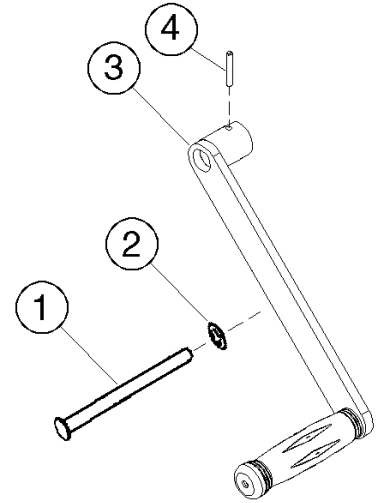
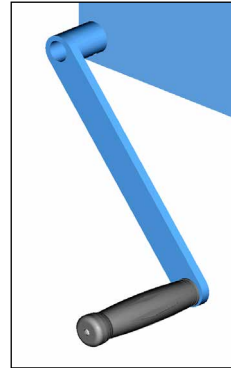


FACTORY INSTALLED X02 Hand Crank Options

9" Hand Crank Order OPTION s
FACTORY INSTALLED on NEW Drum Handler
with Serial Number 0619 to ____ (MMYY)
Order

- OPTION X02-185 on NEW model 185A, 185G, 185A-HD or 185G-HD
- OPTION X02-185M on NEW model 185AM or 185AM-HD
- OPTION X02-185GR on NEW model 185A-GR
- OPTION X02-186 on New model 186
- OPTION X02-285 on NEW model 285A, 285G, 285A-HD or 285G-HD
- OPTION X02-285M on NEW model 285AM or 285AM-HD
- OPTION X02-285GR on NEW model 285A-GR
- OPTION X02-400-72 on NEW 400A-72 Series
- OPTION X02-400M-72 on NEW 400AM-72 Series
- OPTION X02-400-96 on NEW 400A-96 Series
- OPTION X02-400M-96 on NEW 400AM-96 Series
- Order OPTION X02-410 on NEW 410 Series

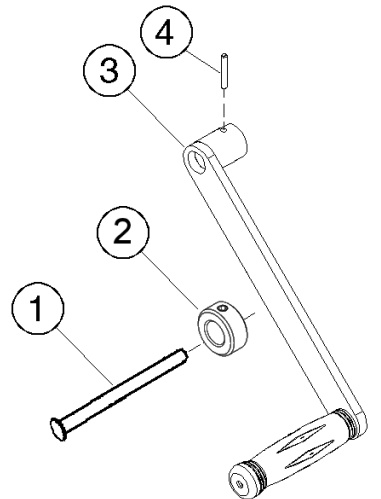
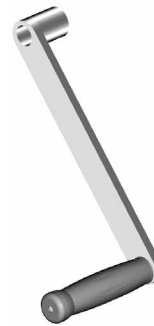


ITEM #	QTY.	PART #	DESCRIPTION
1	1	100-P	STOP PIN, HAND CRANK, 1/2 X 5
2	1	718-P	NUT, PUSH, 1/2"
3	1	5U-P	9" Hand Crank with 3/4" Socket Tube
4	1	64-P	ROLL PIN, 3/16 X 1-1/4

- Order OPTION X02-185XGR on NEW model 185XGR (Hand Crank # 1117-P with 5/8" Bore)
- Order OPTION X02-285XGR on NEW model 285XGR (Hand Crank # 1117-P with 5/8" Bore)

Stainless Steel 9" Hand Crank Options
FACTORY INSTALLED on NEW Drum Handler
with Serial Number 0619 to ____ (MMYY)
Order

- OPTION X02-185HDSS on NEW model 185A-HDSS
- OPTION X02-285HDSS on NEW model 285A-HDSS
- OPTION X02-400-72SS on NEW 400A-72SS Series
- OPTION X02-400-96SS on NEW 400A-96SS Series



ITEM #	QTY.	PART #	DESCRIPTION
1	1	100SS-P	STOP PIN, HAND CRANK, 1/2 X 5
2	1	1035SS-P	COLLAR, 1/2" ID, SS
3	1	5USS-P	Stainless Steel 9" Hand Crank with 3/4" Socket Tube
3	1	64SS-P	ROLL PIN, 3/16 X 1-1/4, SS

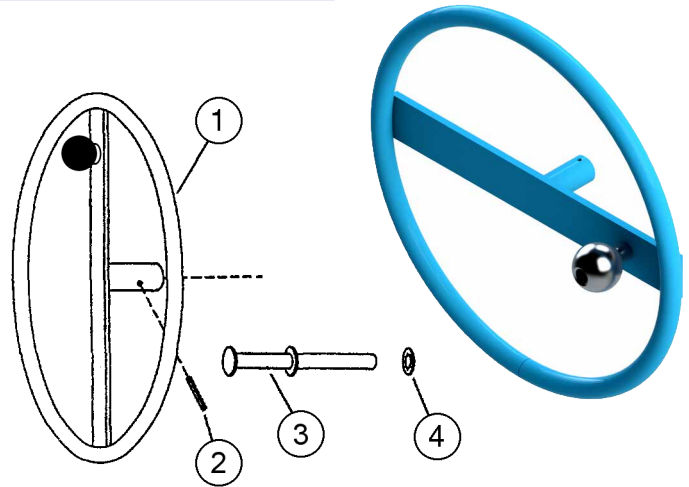


FACTORY INSTALLED X03 Hand Wheel Options

16" Diameter Hand Wheel Options
FACTORY INSTALLED on NEW Drum Handler
with Serial Number 0619 to ____ (MMYY)

Order

- **OPTION X03-185** on **NEW** model 185A, 185G, 185A-HD or 185G-HD
- **OPTION X03-185M** on **NEW** model 185AM or 185AM-HD
- **OPTION X03-186** on **New** model 186
- **OPTION X03-285** on **NEW** model 285A, 285G, 285A-HD or 285G-HD
- **OPTION X03-285M** on **NEW** model 285AM or 285AM-HD
- **OPTION X03-400-60** on **NEW** 400AM-60 Series
- **OPTION X03-400-72** on **NEW** 400A-72 Series
- **OPTION X03-400M-72** on **NEW** 400AM-72 Series
- **OPTION X03-400-96** on **NEW** 400A-96 Series
- **OPTION X03-400M-96** on **NEW** 400AM-96 Series
- **OPTION X03-410** on **NEW** 410 Series

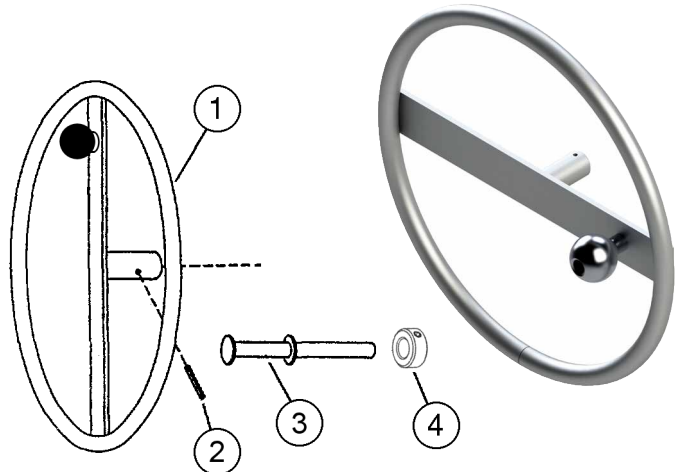


ITEM #	QTY.	PART #	DESCRIPTION
1	1	2685-P	HANDWHEEL 16" 3/4B w/ KNOB
-	1	6506-P	2" ALUMINUM KNOB for HANDWHEEL
2	1	64-P	ROLL PIN, 3/16 X 1-1/4
3	1	101-P	STOP PIN, HANDWHEEL, 1/2"
4	1	718-P	NUT, PUSH, 1/2"
-	1	3886-P	SCREW 3/8 X 1-1/4 SHOULDER

Stainless Steel 16" Hand Wheel Options
FACTORY INSTALLED on NEW Drum Handler
with Serial Number 0619 to ____ (MMYY)

Order

- **OPTION X03-185HDSS** on **NEW** model 185A-HDSS
- **OPTION X03-285HDSS** on **NEW** model 285A-HDSS
- **OPTION X03-400-72SS** on **NEW** 400A-72SS Series
- **OPTION X03-400-96SS** on **NEW** 400A-96SS Series



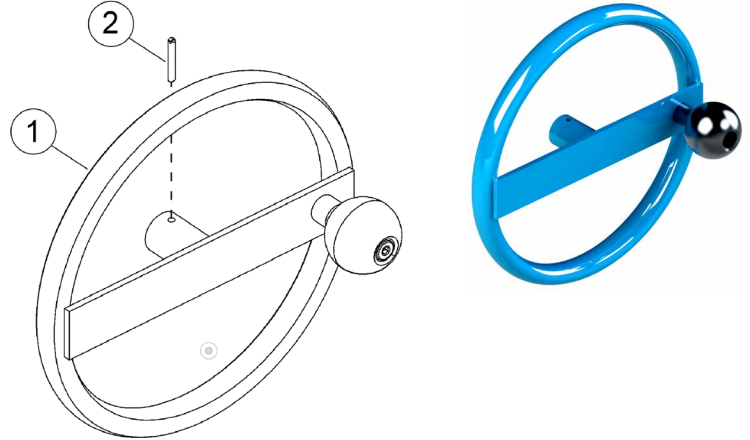
ITEM #	QTY.	PART #	DESCRIPTION
1	1	2685SS-P	HANDWHEEL, 16" SS 3/4B, KNOB
-	1	6506-P	2" ALUMINUM KNOB for HANDWHEEL
2	1	1035SS-P	COLLAR, 1/2" ID, SS
3	1	101SS-P	STOP PIN, HANDWHEEL, 1/2", SS
4	1	64SS-P	ROLL PIN, 3/16 X 1-1/4, SS
-	1	3886-P	SCREW 3/8 X 1-1/4 SHOULDER

FACTORY INSTALLED X03 Hand Wheel Options

10" Diameter Hand Wheel Options
FACTORY INSTALLED on NEW Drum Handler
 with Serial Number 0619 to ____ (MMYY)

Order

- **OPTION X03-185GR** on NEW model 185A-GR
- **OPTION X03-285GR** on NEW model 285A-GR



ITEM #	QTY.	PART #	DESCRIPTION
1	1	4385A-P	HANDWHEEL, 10" 3/4" BORE
-	1	6506-P	2" ALUMINUM KNOB for HANDWHEEL
2	1	64-P	ROLL PIN, 3/16 X 1-1/4
-	1	3886-P	SCREW 3/8 X 1-1/4 SHOULDER