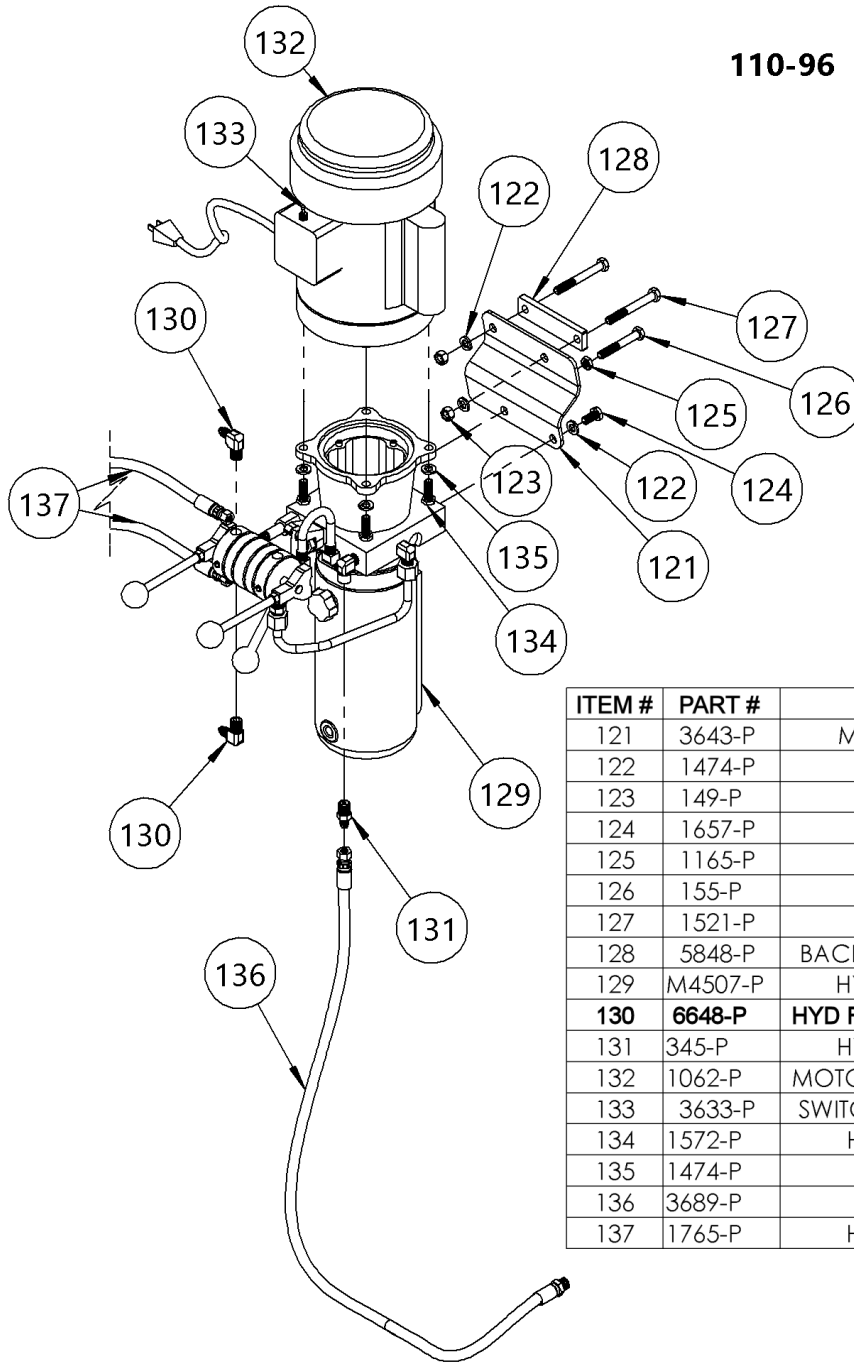


**Parts Diagram for AC Power Lift and Tilt Components**  
 Used on Morse 96" Lift Hydra-Lift Drum Pourers  
 with serial number 400000 to \_\_\_\_\_

**110-96**



ITEM #	PART #	DESCRIPTION	QTY.
121	3643-P	MOUNT PLATE, POWER PUMP	1
122	1474-P	WASHER, 3/8 SPLIT LOCK	3
123	149-P	NUT, 3/8-16 FIN HEX	2
124	1657-P	HHCS, 3/8-16 X 3/4 GR2	1
125	1165-P	NUT, 3/8-16 JAM	1
126	155-P	HHCS, 3/8-16 X 2-1/2 GR2	1
127	1521-P	HHCS, 3/8-16 X 3 GR5	2
128	5848-P	BACK BRACKET, PUMP MOUNT, 400	1
129	M4507-P	HYD POWER PACK, -110, -114	1
130	6648-P	HYD FIT, EL, SAE 4, FLARE	2
131	345-P	HYD FIT, MALE FLARE, 456, 82	1
132	1062-P	MOTOR 1HP 1PH TEFC 56C W/ CORD	1
133	3633-P	SWITCH, TOGGLE, MOMENTARY, 40	1
134	1572-P	HHCS, 3/8-16 X 1 GR2 ZINC	4
135	1474-P	WASHER, 3/8 SPLIT LOCK	4
136	3689-P	HYD HOSE ASM, 31"	1
137	1765-P	HYD HOSE ASM, 101", 96 PT	2