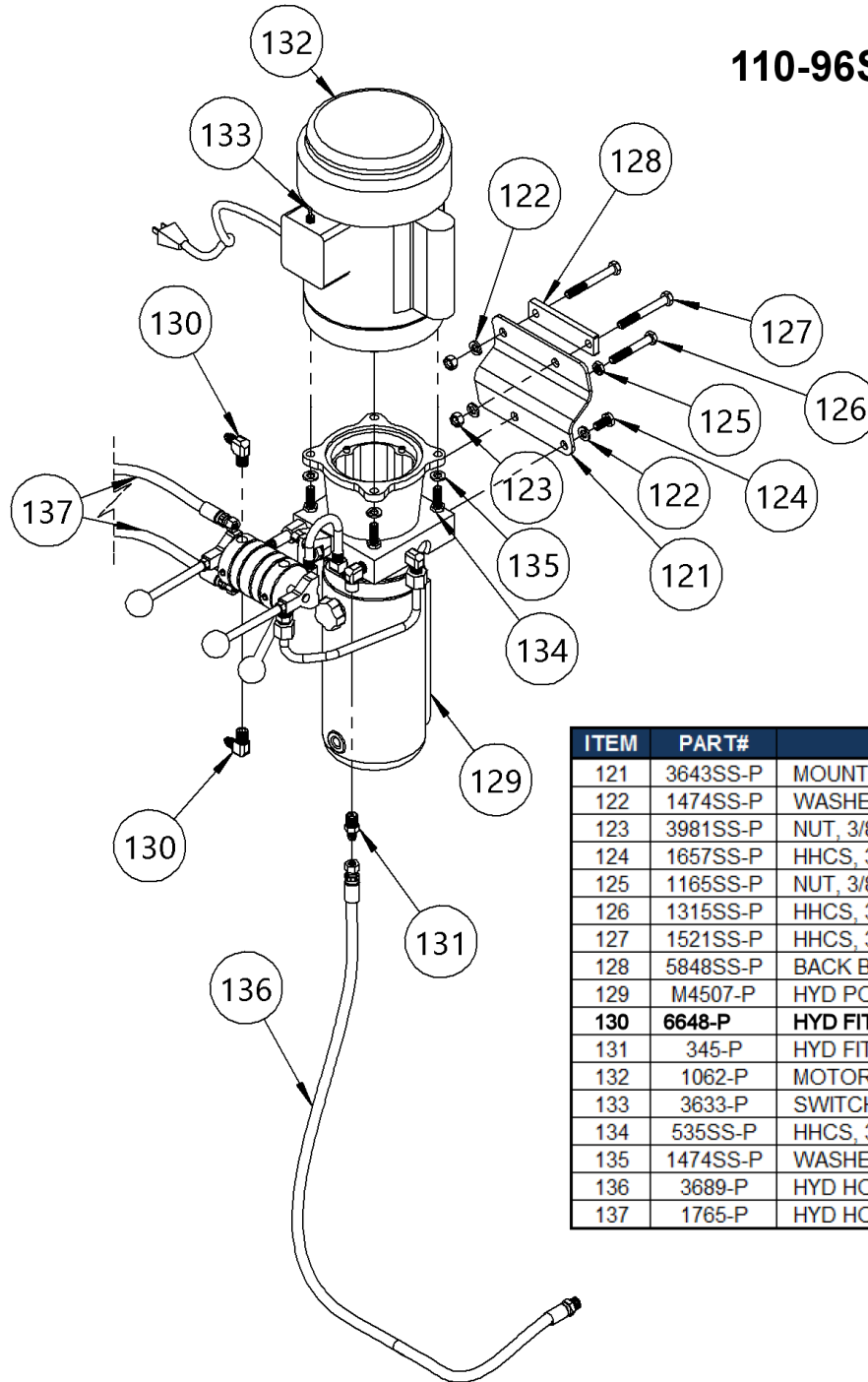


Parts Diagram for AC Power Lift and Tilt Components
 Used on Morse 96" Lift Stainless Steel Hydra-Lift Drum Pourers
 with serial number 400000 to _____

110-96SS



| ITEM | PART# | DESCRIPTION | QTY. |
|------|----------|--------------------------------|------|
| 121 | 3643SS-P | MOUNT, POWER PUMP, 400, SS | 1 |
| 122 | 1474SS-P | WASHER, 3/8 SPLIT LOCK, SS | 3 |
| 123 | 3981SS-P | NUT, 3/8-16 NYLON LOCK, SS | 2 |
| 124 | 1657SS-P | HHCS, 3/8-16 X 3/4 SS | 1 |
| 125 | 1165SS-P | NUT, 3/8-16 JAM SS | 1 |
| 126 | 1315SS-P | HHCS, 3/8-16 X 2-3/4 SS | 1 |
| 127 | 1521SS-P | HHCS, 3/8-16 X 3, SS | 2 |
| 128 | 5848SS-P | BACK BRACKET, PUMP MOUNT, SS | 1 |
| 129 | M4507-P | HYD POWER PACK, -110, -114 | 1 |
| 130 | 6648-P | HYD FIT, EL, SAE 4, FLARE | 2 |
| 131 | 345-P | HYD FIT, MALE FLARE, 456, 82 | 1 |
| 132 | 1062-P | MOTOR, 1HP 1PH TEFC 56C W CORD | 1 |
| 133 | 3633-P | SWITCH, TOGGLE, MOMENTARY, 400 | 1 |
| 134 | 535SS-P | HHCS, 3/8-16 X 1-1/4, SS | 4 |
| 135 | 1474SS-P | WASHER, 3/8 SPLIT LOCK, SS | 4 |
| 136 | 3689-P | HYD HOSE ASM, 31" | 1 |
| 137 | 1765-P | HYD HOSE ASM, 101", 96 PT | 1 |