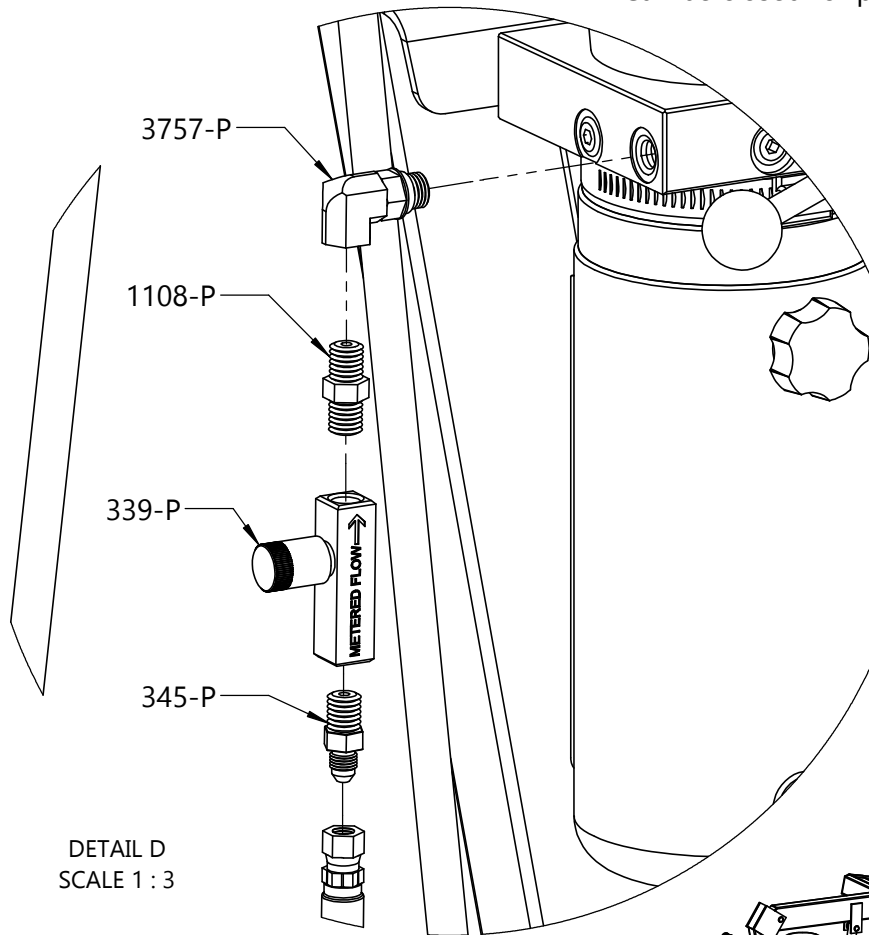


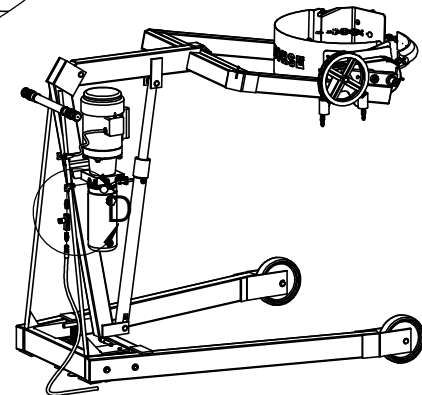
1111-P Auxiliary Valve Kit
(PARTS CALLED OUT BELOW)

- Allows metering the lowering of the lift cylinder
- Can be closed for positive hold



SHOWN HERE WITH
400 SERIES
POWER LIFT PUMP

DETAIL D
SCALE 1 : 3



	NAME	DATE
DRAWN		
ENG APPR.		
MFG APPR.		

LAST EDIT DATE:
8/20/2020

EDITED BY:
cbowman

WEIGHT: LB.

MATL: **Material <not specified>**

MORSE

Manufacturing Company, Inc.

TITLE:
HYDRA-LIFT 72" PL MT

SIZE	DWG. NO.	REV.
A	400A-72-12X with 1111-P	A

SCALE:1:32 SHEET 1 OF 1

PROPRIETARY AND CONFIDENTIAL
THE INFORMATION CONTAINED IN
THIS DRAWING IS THE SOLE
PROPERTY OF MORSE MFG CO, INC.
ANY REPRODUCTION IN PART OR AS
A WHOLE WITHOUT THE WRITTEN
PERMISSION OF MORSE MFG CO,
INC. IS PROHIBITED.

UNLESS OTHERWISE SPECIFIED:
DIMENSIONS ARE IN INCHES
TOLERANCES:
FRACTIONAL $\pm 1/32$
ANGULAR: MACH $\pm 1^\circ$ BEND $\pm 1^\circ$
TWO PLACE DECIMAL $\pm .02$
THREE PLACE DECIMAL $\pm .005$