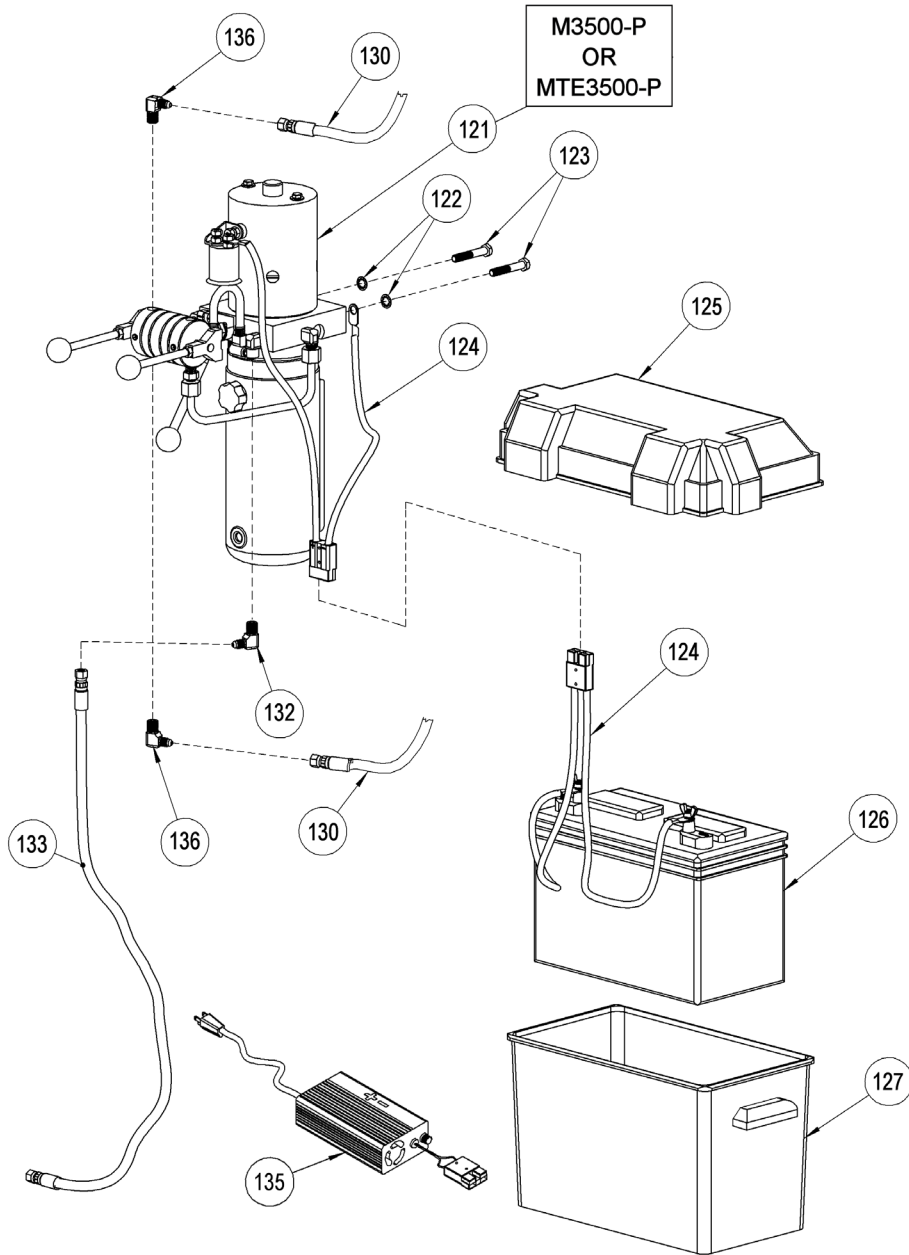


Parts Diagram for Power Lift and Tilt Components
Used on Morse Model 520-115 Two-Stage Vertical-Lift Drum Pourer
with serial number 400000 to 416710



ITEM	QTY.	PART #	DESCRIPTION
121	1	M3500-P (SHOWN)	HYD POWER PACK, -115
121	1	MTE3500-P	HYD POWER PACK, -115 MTE
122	2	1474-P	WASHER, 3/8 SPLIT LOCK
123	2	82-P	HHCS, 3/8-16 X 2-1/4 GR2
124*	2	405-P	HARNESS, CABLE, 25/25, 500 600
125	1	1728-P	TOP, BATTERY BOX, 400, 285A-BP

ITEM	QTY.	PART #	DESCRIPTION
126	1	388-P	BATTERY, 12V DC
127	1	1729-P	BOTTOM, BATTERY BOX, 400
130	2	5816-P	HYD HOSE ASM, 114", 2X PT ITA
132	1	765-P	HYD FIT, MALE ELBOW, FLARE 400
133	1	3573-P	HYD HOSE ASM, VERT, CYL, 45"
135	1	391-P	CHARGER 12V 50HZ 60HZ 100-240V
136	2	6648-P	HYD FIT, EL, SAE 4, FLARE

* Recommended spare parts