

**Parts Diagram for AC Power Lift and Manual Tilt Components
 Used on Morse 72" Lift Hydra-Lift Drum Pourers
 with serial # 0217 to ____ (MMYY)**

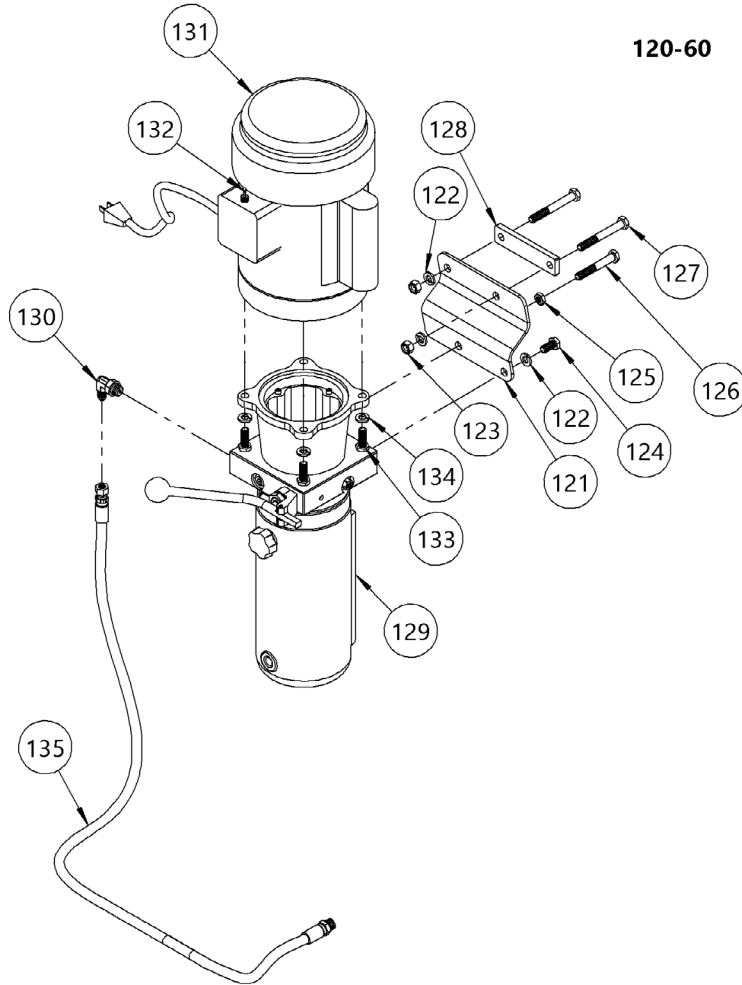
120-60



**IMPORTANT
 NOTE**

4-Digit serial numbers
 are simply the month
 & year of manufacture

Example: 0802 is
 August 2002



ITEM NO.	PART NUMBER	DESCRIPTION	QTY.
121	3643-P	MOUNT PLATE, POWER PUMP	1
122	1474-P	WASHER, 3/8 SPLIT LOCK	3
123	149-P	NUT, 3/8-16 FIN HEX	2
124	1657-P	HHCS, 3/8-16 X 3/4 GR2	1
125	1165-P	NUT, 3/8-16 JAM	1
126	155-P	HHCS, 3/8-16 X 2-1/2 GR2	1
127	1521-P	HHCS, 3/8-16 X 3 GR5	2
128	5848-P	BACK BRACKET, PUMP MOUNT, 400	1
129	M4509-P	HYD POWER PACK, -120, -124	1
130	3610-P	HYD FIT, MALE ELBOW, SAE	1
131	1062-P	MOTOR 1HP 1PH TEFC 56C W/ CORD	1
132	3633-P	SWITCH, TOGGLE, MOMENTARY, 40	1
133	1572-P	HHCS, 3/8-16 X 1 GR2 ZINC	4
134	1474-P	WASHER, 3/8 SPLIT LOCK	4
135	3688-P	HYD HOSE ASM, 36"	1