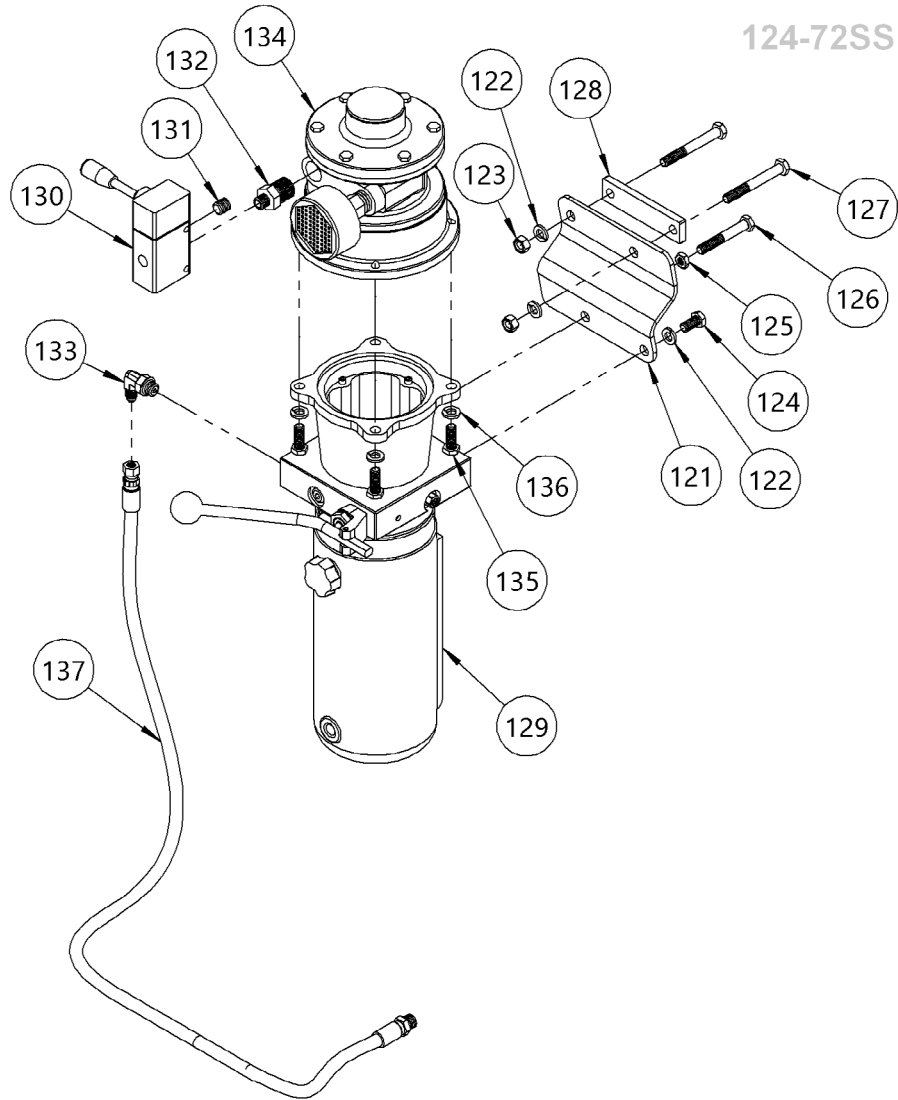


**Parts Diagram for Air Power Lift and Manual Tilt Components
Used on Morse 72" Lift Stainless Steel Hydra-Lift Drum Pourers
with serial # 0217 to ___ (MMYY)**

IMPORTANT NOTE
4-Digit serial numbers are simply the month & year of manufacture
Example: 0802 is August 2002



ITEM	PART#	DESCRIPTION	QTY.
121	3643SS-P	MOUNT, POWER PUMP, 400, SS	1
122	1474SS-P	WASHER, 3/8 SPLIT LOCK, SS	3
123	3981SS-P	NUT, 3/8-16 NYLON LOCK, SS	2
124	1657SS-P	HHCS, 3/8-16 X 3/4 SS	1
125	1165SS-P	NUT, 3/8-16 JAM SS	1
126	1315SS-P	HHCS, 3/8-16 X 2-3/4 SS	1
127	1521SS-P	HHCS, 3/8-16 X 3, SS	2
128	5848SS-P	BACK BRACKET, PUMP MOUNT, SS	1
129	M4509-P	HYD POWER PACK, -120, -124	1
130	3632-P	VALVE, AIR MOTOR, 400, 500	1
131	3634-P	HYD FIT, PIPE PLUG, 1/4 HEX	1
132	332-P	HYD FIT, PIPE NIPPLE 1/2-1/4	1
133	3610-P	HYD FIT, MALE ELBOW, SAE	1
134	290-A-2P	MOTOR, 2HP, AIR, 56C	1
135	535SS-P	HHCS, 3/8-16 X 1-1/4, SS	4
136	1474SS-P	WASHER, 3/8 SPLIT LOCK, SS	4
138	3688-P	HYD HOSE ASM, 36"	1