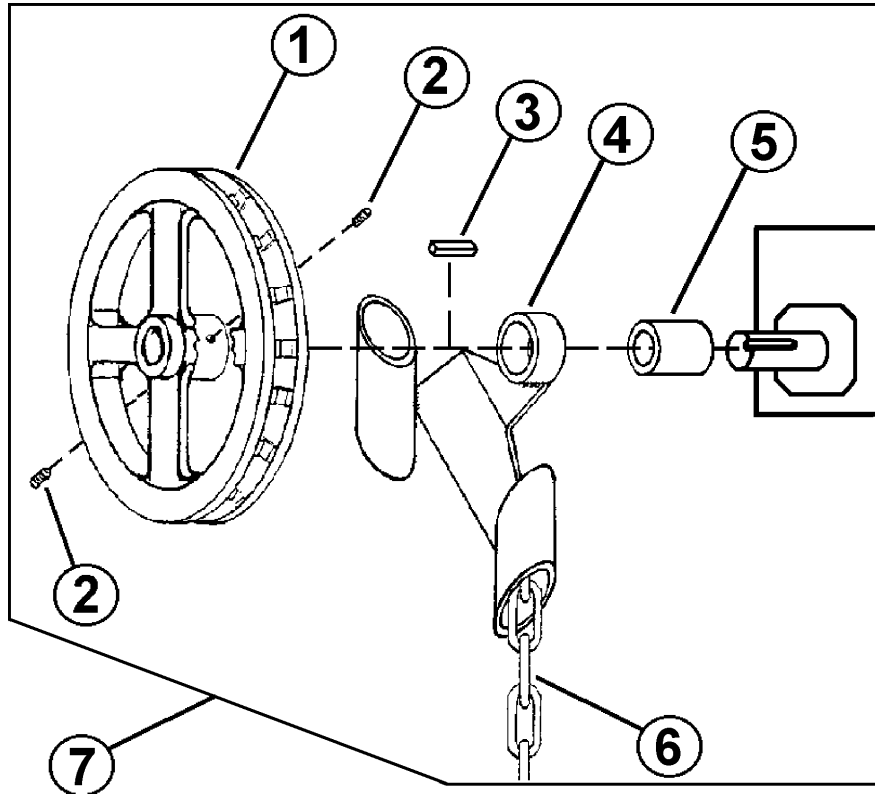


Replacement Parts for Models 185XGR, 285A-GR, 285G-GR and 285XGR  
with serial number 0708 to \_\_\_\_ (MMYY)

Supplemental parts diagram for Morse Extra Heavy-Duty Karriers with chain wheel.



Item	Part #	Quantity	Description
1	1322-P	1	POCKET CHAIN WHEEL, 5/8 BORE
2	1005-P	2	SET SCREW, 5/16-18 X 3/8
3	1326-P	1	KEY, SQUARE, 3/16 X 1"
4	1304-P	1	GUIDE, POCKET CHAIN WHEEL
5	1324-P	1	BUSHING, 5/8 ID X 1" OD
6	3-285-P	1	PULL CHAIN, POCKET, 20' LENGTH
7	1325-P	1	POCKET WHEEL KIT CPT, 285GR