

CONTENTS

- Assembly Instructions
- Parts List and Diagram

Model 160

4-Wheel Drum Truck

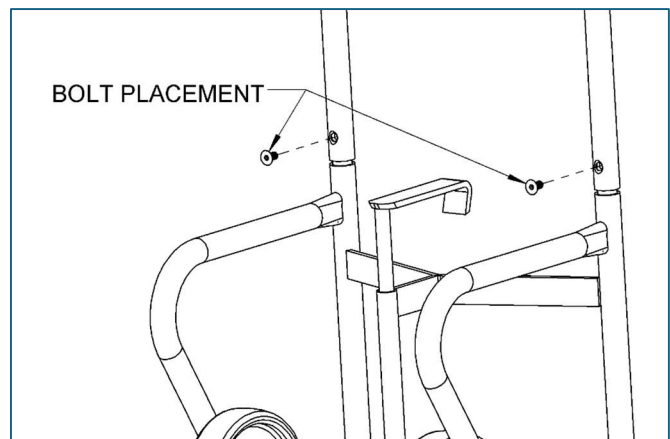
Wheels inside frame

Capacity: 1000 Lb. (454 kg)



Assembly Instructions

1. Insert Hook Weld (item 7) into tube of drum truck base with holes aligned.
2. Install handle onto drum truck base. Secure with 2 screws (item 11) using 7/32" hex wrench.

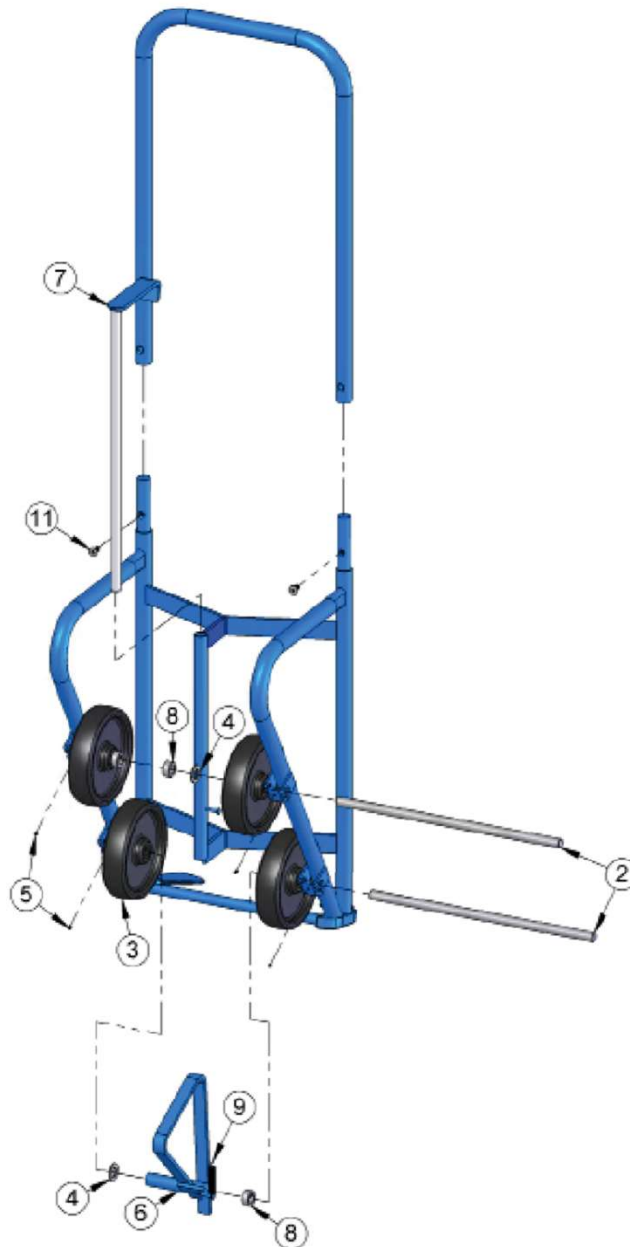


WARNING - This product can expose you to chemicals including barium sulfate, cobalt, titanium dioxide, and 2-methylimidazole, which are known to the State of California to cause cancer, and bisphenol-A, which is known to the State of California to cause birth defects or other reproductive harm. For more information go to www.P65Warnings.ca.gov

Model 160

Drum Truck

S/N 40000 to _____ or 1215 to _____



| ITEM NO. | PART NUMBER | DESCRIPTION | QTY. |
|----------|-------------|-----------------------------|------|
| 2 | 1355-P | AXLE, 19.75", 160 | 2 |
| 3 | 87-P | WHEEL, MORTUF, 8", 3/4" BRG | 4 |
| 4 | 55-P | WASHER, 3/4 SAE FL 1-1/2 OD | 4 |
| 5 | 1000-P | SET SCREW, 1/4 - 20 X 1/4 | 4 |
| 6 | 1369-P | STAND WELD, 160 | 1 |
| 7 | 5941-P | HOOK WELD, 160 | 1 |
| 8 | 15-P | COLLAR, 3/4" ID | 4 |
| 9 | 1114-P | SPRING, EXTENSION, 160 | 1 |
| 11 | 4685-P | SHCS, 3/8-16 X 3/4 FH | 2 |