

Operator's Manual
for Morse Kontrol-Karriers
with AC Power Tilt

Models 195A-1-115, 195A-3-230,
195A-1-220-50 and 195A-3-460
 with Serial Number 241836 to 249030

Contents

	Page
Receiving Procedures.	1
Warranty.	1
Safety Information.	1 - 2
Machine Description.	3
Operating Instructions.	4
Maintenance.	4
Parts Lists and Diagrams.	5 - 6

Receiving Procedures

Every Morse drum handler is inspected prior to shipping. However, damage may be incurred during transit.

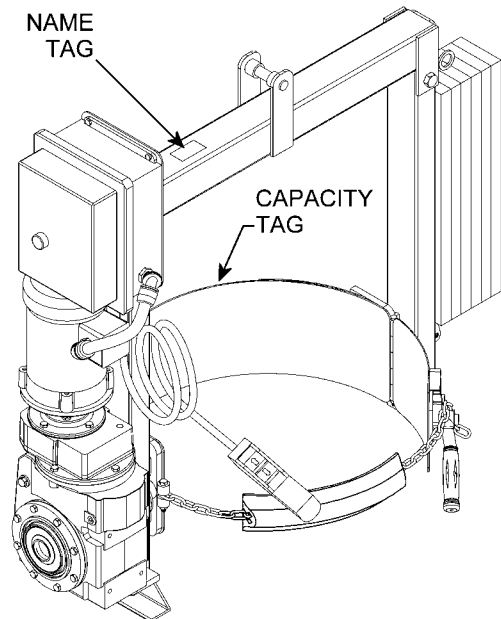
- Check for visible damage. If you choose to accept damaged freight, always sign noting the damage on the **Bill of Lading**.
- Document the damage and have the truck driver sign. We recommend keeping a digital camera at your receiving dock for this purpose.
- Open packages expeditiously to check the condition of the goods. There is only a 24 hour window to notify the carrier of any concealed damage.
- Immediately **report all damage to the shipping company!** Then you may contact Morse for assistance with your freight claim.
- Morse Manufacturing will not be held responsible for any damaged freight that is not signed for as damaged.

Limited 2 Year Warranty

Morse drum handling equipment is guaranteed against defects in workmanship or materials for two years when used properly within its rated capacity. Warranty does not cover wear from normal use or damage from accident or abuse. Motors and other purchased parts carry the warranties of their manufacturers.

For warranty claims, contact your Morse Dealer to obtain a return authorization number, and for return freight advice. Return freight must be prepaid.

In all instances, liability is limited to the purchase price paid or to repairing or replacing the product. Customer assumes liability for any modifications, unauthorized repairs or parts substitution.



Safety Information

While Morse Manufacturing Co. drum handling equipment is engineered for safety and efficiency, a high degree of responsibility must be placed upon the machine operator to follow safe practices, based primarily on common sense, upon which true safety depends.

Failure to follow the safety precautions in this manual can result in personal injury or property damage. Observe the same precautions as with similar machinery where carelessness in operating or maintenance is hazardous to personnel. Carefully read the safety precautions below and throughout this manual.

Review the Material Safety Data Sheet(s) for the material(s) in the drum(s) and take all necessary precautions. Safety shoes, work gloves, hard hat and other personal protective devices are recommended.

Prior to initial use, inspect all moving parts and test rotation of chain wheel and saddle assembly. Inspect saddle assembly for proper operation. Perform necessary load test, inspections, operator training, etc.

Operator's Manual for Morse Kontrol-Karrier Model 195A
Serial Number 241836 to 249030

Safety Information (continued)



DANGER - Indicates a situation which, if not avoided, will result in serious injury or death. This signal word is limited to the most extreme situations.



WARNING - Indicates a situation which, if not avoided, could result in serious injury or death.



CAUTION - Indicates a situation which, if not avoided, can result in damage to the machine.



WARNING - Kontrol-Karriers are designed to handle one drum of the types listed at the top of page 3. Machine Description. DO NOT attempt to handle any other type of drum or object.



WARNING - DO NOT exceed the weight capacity of 1500 Lb.



WARNING - DO NOT operate damaged or malfunctioning unit, or a unit with missing parts.



WARNING - DO NOT lift people or suspend loads over people. Stay clear of suspended loads.



WARNING - DO NOT lift loads higher than necessary.



WARNING - DO NOT leave suspended loads unattended.



WARNING - DO NOT remove or obscure warning labels.



WARNING - DO NOT operate without first having read and understood operating manual.



WARNING - DO NOT make alterations or modify the unit. Under no circumstances should any modifications be made to the Morse machinery without factory authorization. Any modifications may void the warranty. This machine was designed to perform a specific job and alterations may result in injury to operator or machine.



WARNING - Wear safety shoes with non-slip soles and hard toe protection.



CAUTION: DO NOT allow drum to impact on floor, ground, etc.

Operator's Manual for Morse Kontrol-Karrier Model 195A
Serial Number 241836 to 249030

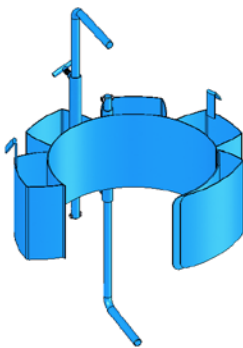
Machine Description

The Power Tilt Kontrol-Karrier is designed to lift, transport, and dispense a ribbed 55-gallon steel drum 22.5" in diameter. The maximum full-drum capacity is 1500 Lb. The capacity is derated to 800 Lb. for a half-full drum. The half-full rating is based on the tilt mechanism's capacity for handling an unbalanced bottom-heavy drum.

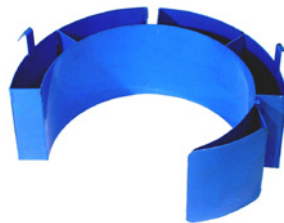


Options

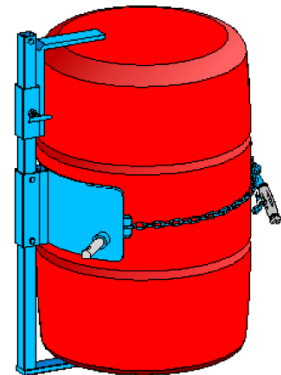
- A smaller diameter drum can be handled with the correct size 55/30 Series Diameter Adaptor installed (see [Diameter Adaptor literature](#)).
- The **Bracket Assembly** (Part # 4556-P) is **required** to handle a plastic drum without a top rim. It is also recommended to more securely handle a fiber drum. You can use the Bracket Assembly with a 55-gallon plastic, steel or fiber drum. The brace at top and bottom of the drum prevent it from slipping lengthways through the drum holder. It adjusts for a drum 31" to 37" tall.



Diameter Adaptors for smaller drums from 14" to 17.5" in diameter are equipped with adjustable hold-down brackets to prevent your drum from slipping lengthways through the drum holder. Handle a drum up to 38" tall.



Diameter Adaptors for drums from 18.5" to 22" in diameter do not have hold-down brackets. They fit between the ribs of a steel drum. For plastic or fiber drum, use Diameter Adaptor in combination with the Bracket Assembly to prevent the drum from slipping lengthways through the drum holder.



A 55-gallon plastic drum can be handled if the unit is equipped with the adjustable Bracket Assembly (Part # 4556-P). This bracket fits into socket tube on the drum holder, and prevents a 55-gallon plastic drum from slipping lengthways.

Important

1. Please read all instructions thoroughly before attempting to operate your new Morse drum handler.
2. When loading, unloading, operating, or maintaining your MORSE drum handler, always use care and good judgment. Maintain secure footing and a firm hold. Keep hands and loose clothing away from all moving parts. Never allow anyone to be below any part of a raised drum handler or drum. Read operating instructions and review the pictures in the sales brochure before operation.
3. The 195 Series are a "Group 1 structural and mechanical" below-the-hook lifting device which are covered by the American National Standard ASME B30.20. The user should comply with all aspects of this standard.

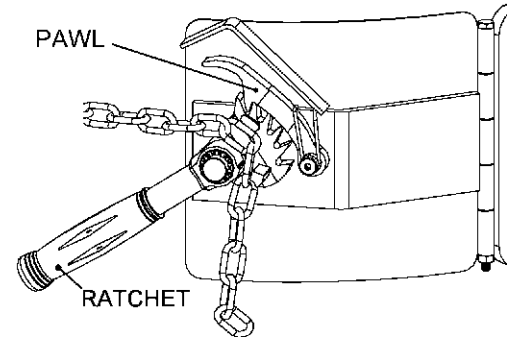
Operator's Manual for Morse Kontrol-Karrier Model 195A
Serial Number 241836 to 249030

Assembly Instructions

1. Install speed reducer oil vent plug and check oil level as shown in the speed reducer owners manual.
2. Consult an electrician to complete the wiring into the control box.
3. Prior to initial use, inspect all moving parts and test rotation of saddle assembly. Inspect flexible chain cover and cinch chain for proper operation. Perform necessary load test, inspections, operator training, etc. as prescribed in the ANSI/ASME B30.20 standard.

Operating Instructions

1. With Kontrol-Karrier standing on the floor, lower hoist and engage hoist hook into the lifting eye.
2. Raise hoist to lift Kontrol-Karrier clear of floor and move it to the drum.
3. Position Kontrol-Karrier at a height which aligns the saddle band with the center of the drum.
4. With the cinch chain (item 25) hanging freely, push Kontrol-Karrier against the drum to surround the drum with the saddle band.
5. Drape the cinch chain across the front of the drum and insert one chain link into the slot on the ratchet (item 22). Turn the ratchet clockwise to tighten the cinch chain around the drum.
6. Raise hoist and position the drum at the pouring station.
7. Pour the drum by pushing forward button on the control pendant (item 38).
8. After pouring is completed, rotate the drum back to vertical position and lower hoist to return drum to floor.
9. To remove drum: Pull ratchet clockwise to relieve pressure on ratchet teeth. Lift pawl (item 18) to release teeth engagement and rotate ratchet counter-clockwise to loosen chain and allow its removal from notch.



Maintenance

1. Inspect oil level in speed reducer.
2. Periodically inspect all moving parts, framework, cinch chain, chain cover and contact areas for signs of wear, fatigue, or loosening. Perform all inspections, load tests, and maintenance according to the ANSI/ASME B30.20 standard.
3. Ensure all labels are in place. Product labels should be inspected periodically and cleaned as necessary to maintain good legibility. Please contact Morse Mfg. Co. for replacement labels.

Operator's Manual for Morse Kontrol-Karrier Model 195A
Serial Number 241836 to 249030

ITEM #	QTY.	PART #	DESCRIPTION
1	4	1714-P	HHCS, 1/4-20 X 3/4 GR2
2	1	2799-P **	CONTROL BOX, 195A-1-115
2	1	2860-P **	CONTROL BOX, 195A-3-230
2	1	2859-P **	CONTROL BOX, 195A-3-460
2	1	4787-P **	CONTROL BOX, 195A-1-220-50
3	2	193-P	SCREW, 12-14 X 3/4 3 PT TEK
4	4	1518-P	NUT, 1/4-20 NYLON LOCK
5	1	4198-P	MOUNT WELD, CONTROL BOX, 195
6	1	4196-P	OVERHEAD WELD, 195A
7	1	1473-P	NUT, 5/8-11 REV HEX LOCK
8	1	565-P	HHCS, 5/8-11 X 4-1/2 GR5
9	1	2854-P	IDLER ARM W/ BEARINGS, 195A
10	1	570-P	COLLAR, 1-1/2" ID
11	2	560-P	BEARING, 1-1/2" ID X 2", GR
12	1	4201-P	SADDLE ASM, 195A
13 *	1	726-P	A RATCHET HINGE PLATE CPT 1/4"
14	2	540-P	WASHER, 1-1/2 SAE FL 3" OD
15	1	4200-P	SADDLE WELD, 195A (NOT SOLD SEPARATELY)
16	1	1296-P	HHCS, 1/4-20 X 7-1/2 GR5
17	1	1297-P	NUT, 1/4-20 REV HEX LOCK
18	1	168-P	PAWL, WITH DRILLED HOLE
19	1	169-P	SPRING, PAWL
20	1	710-P	RETAINER, RATCHET PUSH NUT 3/4

ITEM #	QTY.	PART #	DESCRIPTION
21	1	170-P	SCREW, 3/8 DIA X 5/8 SHOULDER
22	1	165-P	RATCHET, MALLEABLE, SADDLE
23	1	136-P	GRIP, HANDLE 7/8" X 4-3/4"
24	1	165KIT-P	KIT, RATCHET CHAIN TIGHTENER
25	1	180-P	CHAIN, CINCH, 3/16 ALLOY 33 LK
26	1	4081-P	CROSS TUBE, CARRIAGE, SCALE
27	1	525-P	KEY, WOODRUFF, SIZE F, ASA1211
28	1	4079-P	HHCS, M8 X 60 MM CL8.8, 8MM
29	2	1644-P	WASHER, 1/2 SPLIT LOCK
30	2	1502-P	HHCS, 7/16-14 X 1-1/4 GR5
31	1	4067-P	SPEED REDUCER, 195, HELICAL
32	1	3652-P	PLUG, SPEED REDUCER, GR SERIES
33	4	535-P	HHCS, 3/8-16 X 1-1/4 GR5
34	4	1474-P	WASHER, 3/8 SPLIT LOCK
35	1	3653-P	CONDUIT, POLY FLEX, 1/2", 6"
36	1	4203-1-P	MOTOR, 1/3HP, 1PH, 56C, TEFC
36	1	4203-3-P	MOTOR, 1/3HP, 3PH, 56C, TEFC
36	1	4203-1-50-P	MOTOR, 1/3HP, 1PH, 56C, 50HZ
37	2	2789-P	FIT, CONDUIT, 90 DEG POLY
38	1	2801-P	PENDANT ASM, WIRED, 195
39	1	4414-P	COVER, CINCH CHAIN, FLEX PVC
40	1	4710-P	PIN, BOW TIE COTTER, MOR
* Recommended spare parts			
** Includes control pendant (item 38).			

Operator's Manual for Morse Kontrol-Karrier Model 195A
Serial Number 241836 to 249030

