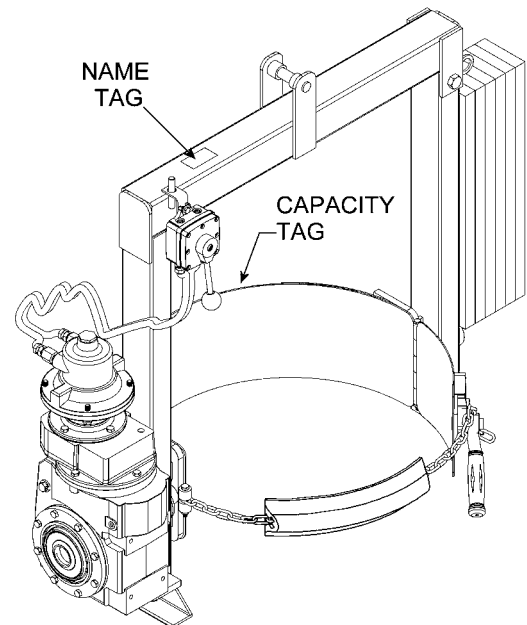


Contents

	Page
Receiving Procedures.	1
Warranty.	1
Safety Information.	1 - 2
Machine Description.	2
Assembly Instructions.	3
Operating Instructions.	3
Maintenance.	3
Options and Accessories.	3
Parts Lists and Diagrams.	4 - 5

Operator's Manual
for Morse Kontrol-Karrier
with Spark Resistant Parts and
Air Power Tilt

Model 195AM-A
with Serial Number 249031 to _____



Receiving Procedures

Every Morse drum handler is inspected prior to shipping. However, damage may be incurred during transit.

- Check for visible damage. If you choose to accept damaged freight, always sign noting the damage on the **Bill of Lading**.
- Document the damage and have the truck driver sign. We recommend keeping a digital camera at your receiving dock for this purpose.
- Open packages expeditiously to check the condition of the goods. There is only a 24 hour window to notify the carrier of any concealed damage.
- Immediately **report all damage to the shipping company!** Then you may contact Morse for assistance with your freight claim.
- Morse Manufacturing will not be held responsible for any damaged freight that is not signed for as damaged.

Limited 2 Year Warranty

Morse drum handling equipment is guaranteed against defects in workmanship or materials for two years when used properly within its rated capacity. Warranty does not cover wear from normal use or damage from accident or abuse. Motors and other purchased parts carry the warranties of their manufacturers.

For warranty claims, contact your Morse Dealer to obtain a return authorization number, and for return freight advice. Return freight must be prepaid.

In all instances, liability is limited to the purchase price paid or to repairing or replacing the product. Customer assumes liability for any modifications, unauthorized repairs or parts substitution.

Safety Information

While Morse Manufacturing Co. drum handling equipment is engineered for safety and efficiency, a high degree of responsibility must be placed upon the machine operator to follow safe practices, based primarily on common sense, upon which true safety depends.




Failure to follow the safety precautions in this manual can result in personal injury or property damage. Observe the same precautions as with similar machinery where carelessness in operating or maintenance is hazardous to personnel. Carefully read the safety precautions below and throughout this manual.

Review the Material Safety Data Sheet(s) for the material(s) in the drum(s) and take all necessary precautions. Safety shoes, work gloves, hard hat and other personal protective devices are recommended.

Prior to initial use, inspect all moving parts and test rotation of chain wheel and saddle assembly. Inspect saddle assembly for proper operation. Perform necessary load test, inspections, operator training, etc.

Operator's Manual for Morse Model 195AM-A
Serial Number 249031 to _____

Safety Information (continued)

	DANGER - Indicates a situation which, if not avoided, <i>will</i> result in serious injury or death. This signal word is limited to the most extreme situations.
	WARNING - Indicates a situation which, if not avoided, <i>could</i> result in serious injury or death.
	CAUTION - Indicates a situation which, if not avoided, can result in damage to the machine.



WARNING

The Kontrol-Karrier is designed to handle one drum of the types listed under **Machine Description**. *DO NOT* attempt to handle any other type of drum or object. *DO NOT* exceed the weight capacity of 1,500 Lb. full drum and 800 Lb. half-full drum.



WARNING - Do Not Modify the Unit

Under no circumstances should any modifications be made to the Morse machinery without factory authorization. Any modifications may void the warranty. This machine was designed to perform a specific job and alterations may result in injury to operator or machine.



WARNING - No Loose Fitting Clothing

Wear close-fitting clothing and safety equipment appropriate to the job. Loose fitting clothing may become caught on the machinery and cause severe personal injury.



WARNING - Wear Safety Shoes

Wear safety shoes with non-slip soles and hard toe protection.



WARNING - Watch Out for Pinch Points

Stay clear of moving parts.



CAUTION - DO NOT allow drum to impact on floor, ground, or dumping station, etc.

Important

1. Review the Material Safety Data Sheet(s) for the material(s) in the drum(s) and take all necessary precautions. Safety shoes, work gloves, hard hat and other personal protective devices are recommended.
2. Please read all instructions *thoroughly* before attempting to operate your new MORSE drum handler.

Machine Description

1. The model 195AM-A has a maximum capacity rating of 1,500 Lb. full drum and 800 Lb. half-full drum and is designed to lift, move and pour *55-gallon steel drums*. *DO NOT* exceed these ratings. Exceeding these ratings or handling drums other than those mentioned above is unsafe and could result in equipment damage, excessive wear or awkward handling. Options and accessories are available for model 195AM-A to enable handling different sizes and types of drums (see Options and Accessories).
2. The model 195AM-A is a "Group 1 - Structural and Mechanical" Below-the-Hook Lifting Device which is covered by the American National Standard ANSI/ASME B30.20. The user should comply with all aspects of this standard.
3. When loading, unloading, operating, or maintaining your MORSE drum handler, always use care and good judgment. Maintain secure footing and a firm hold. Keep hands and loose clothing away from all moving parts. Never allow anyone to be below any part of a raised drum handler or drum. Read operating instructions and review the pictures in the sales brochure before operation.

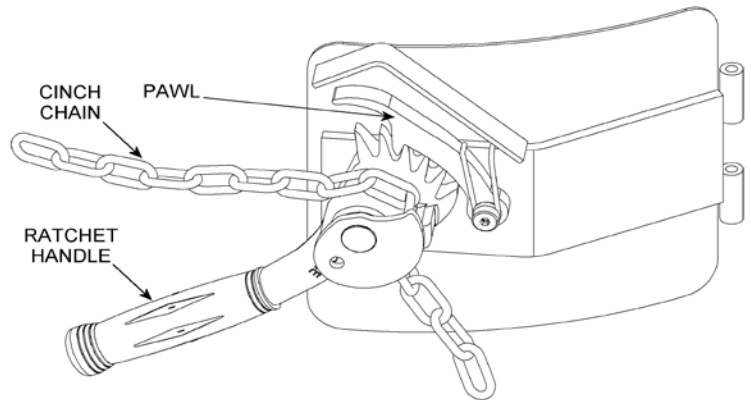
Operator's Manual for Morse Model 195AM-A
Serial Number 249031 to _____

Assembly Instructions

1. Install speed reducer oil vent plug and check oil level as shown in the speed reducer owners manual.
2. Air motor requires 20 PSI at 22 SCFM. Operating the air motor at higher pressures will reduce the life of the air motor and power transmission components.
3. Prior to initial use, inspect all moving parts and test rotation of saddle assembly. Inspect rubber strap and cinch chain for proper operation. Perform necessary load test, inspections, operator training, etc. as prescribed in the ANSI/ASME B30.20 standard.

Operating Instructions

1. With Kontrol-Karrier standing on the floor, lower hoist and engage hoist hook into the lifting eye.
2. Raise hoist to lift Kontrol-Karrier clear of floor and move it to the drum.
3. Position Kontrol-Karrier at a height which aligns the saddle band with the center of the drum.
4. With the cinch chain (item 109) hanging freely, push Kontrol-Karrier against the drum to surround the drum with the saddle band.
5. Drape the cinch chain across the front of the drum and insert one chain link into the slot on the ratchet. Turn the ratchet clockwise to tighten the cinch chain around the drum.
6. Raise hoist and position the drum at the pouring station.
7. Pour the drum by pulling lever clockwise on the control valve (item 3).
8. After pouring is completed, rotate the drum back to vertical position and lower hoist to return drum to floor.
9. To remove drum: Pull ratchet clockwise to relieve pressure on ratchet teeth. Lift pawl (item 104) to release teeth engagement and rotate ratchet counter-clockwise to loosen chain and allow its removal from notch.

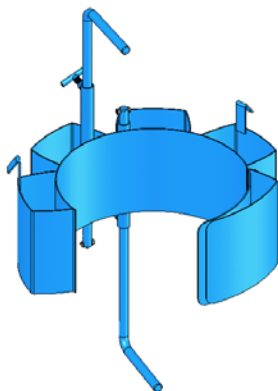


Maintenance

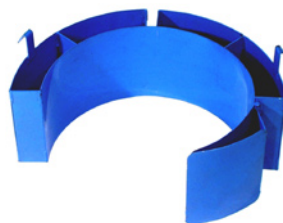
1. Inspect oil level in speed reducer.
2. Periodically inspect all moving parts, framework, rubber strap, and contact areas for signs of wear, fatigue, or loosening. Perform all inspections, load tests, and maintenance according to the ANSI/ASME B30.20 standard.
3. Ensure all labels are in place. Product labels should be inspected periodically and cleaned as necessary to maintain good legibility. Please contact Morse Mfg. Co. for replacement labels.

Options and Accessories to enable handling different sizes and types of drums with model 195AM-A.

A smaller diameter drum can be handled if the correct size Diameter Adaptor is installed. Adaptors simply lift in and out of the drum holder. See Diameter Adaptor literature.

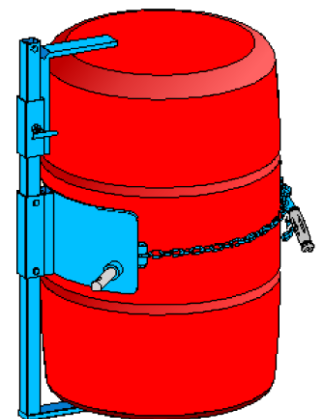


Model 55/30M-16
for 15.5" to 16" diameter drum.

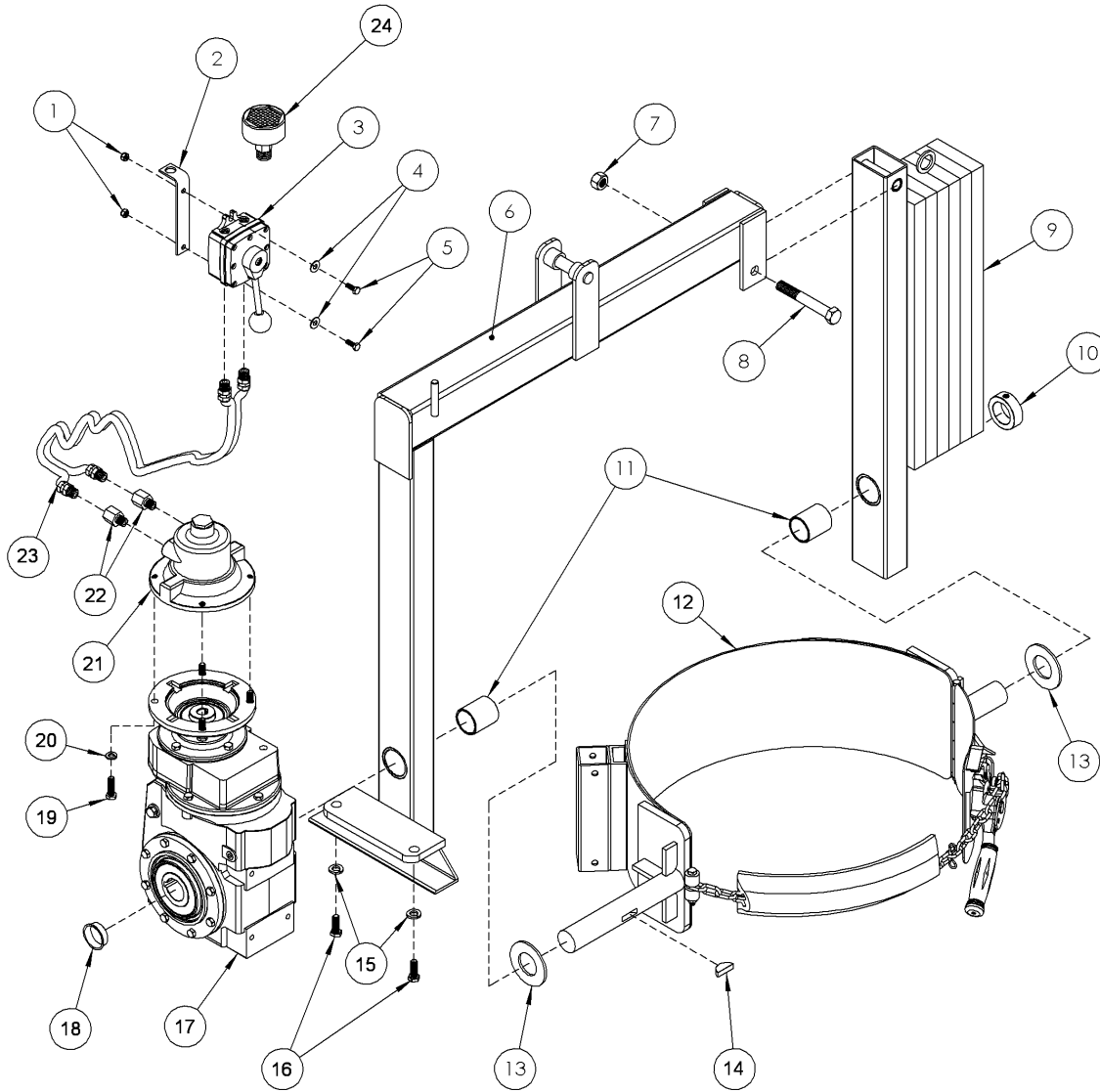


Model 55/30M-19 for
18.5" to 19" diameter drum.

A 55-gallon plastic drum can be handled if the unit is equipped with the adjustable HDPS Bracket (Part # 1465M-P). This bracket fits into socket tube on the drum holder, and prevents a 55-gallon plastic drum from slipping lengthways.



Operator's Manual for Morse Model 195AM-A
Serial Number 249031 to _____

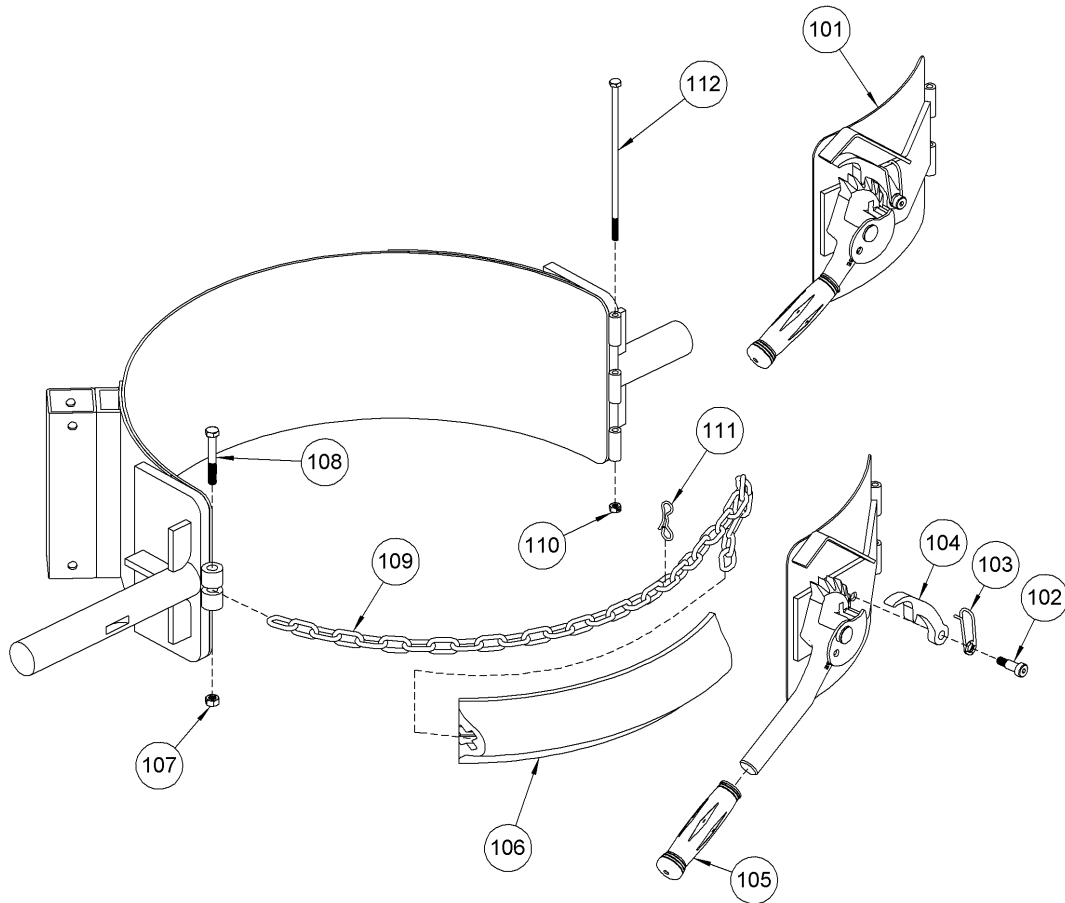


ITEM #	QTY.	PART #	DESCRIPTION
1	2	1518-P	NUT, 1/4-20 NYLON LOCK
2	1	2888-P	MOUNT, CONTROL VALVE, 195A-A
3	1	2890-P	CONTROL VALVE, 195A-A
4	2	1866-P	WASHER, 1/4 USS 3/4 OD
5	2	1714-P	HHCS, 1/4-20 X 3/4 GR2
6	1	4196M-P	OVERHEAD WELD, 195AM-A
7	1	1473-P	NUT, 5/8-11 REV HEX LOCK
8	1	565-P	HHCS, 5/8-11 X 4-1/2 GR5
9	1	2854-P	IDLER ARM W/ BEARINGS, 195A
10	1	570-P	COLLAR, 1-1/2" ID
11*	2	560-P	BEARING, 1-1/2" ID X 2", GR
12	1	4201M-P	SADDLE ASM, 195AM-A

ITEM #	QTY.	PART #	DESCRIPTION
13	2	540-P	WASHER, 1-1/2 SAE FL 3" OD
14	1	525-P	KEY, WOODRUFF, SIZE F, ASA1211
15	2	1644-P	WASHER, 1/2 SPLIT LOCK
16	2	1502-P	HHCS, 7/16-14 X 1-1/4 GR5
17	1	4067-P	SPEED REDUCER, 195, HELICAL
18	1	3652-P	PLUG, SPEED REDUCER, GR SERIES
19	4	535-P	HHCS, 3/8-16 X 1-1/4 GR5
20	4	1474-P	WASHER, 3/8 SPLIT LOCK
21	1	290-A-2P	MOTOR, 2HP, AIR, 56C
22	2	4676-P	HYD FIT, PIPE ADAPTER 3/8-1/2
23	1	2891-P	HOSE, 12', SELF COILING 195A-A
24	1	AC980-P	MUFFLER ASM, 290-A-2P, 195

* Recommended spare parts

Operator's Manual for Morse Model 195AM-A
Serial Number 249031 to _____



ITEM #	QTY.	PART #	DESCRIPTION
101*	1	727AM-P	HINGE PLATE CPT, 1/4" SR
102	1	170-P	SCREW, 3/8 DIA X 5/8 SHOULDER
103	1	169-P	SPRING, PAWL
104	1	168-P	PAWL, WITH DRILLED HOLE
105	1	4409-P	GRIP, HANDLE 7/8" X 4-3/4" RED
106*	1	4414-P	COVER, CINCH CHAIN, FLEX PVC
107*	1	4081-P	NUT, M8 ESNA, 8MM
108*	1	4079-P	HHCS, M8 X 60 MM CL8.8, 8MM
109*	1	4408-P	CHAIN, CINCH, 9/32, 38 LINK
110*	1	1297-P	NUT, 1/4-20 REV HEX LOCK
111	1	4710-P	PIN, BOW TIE COTTER, MOR
112*	1	1296-P	HHCS, 1/4-20 X 7-1/2 GR5
* Recommended spare parts			