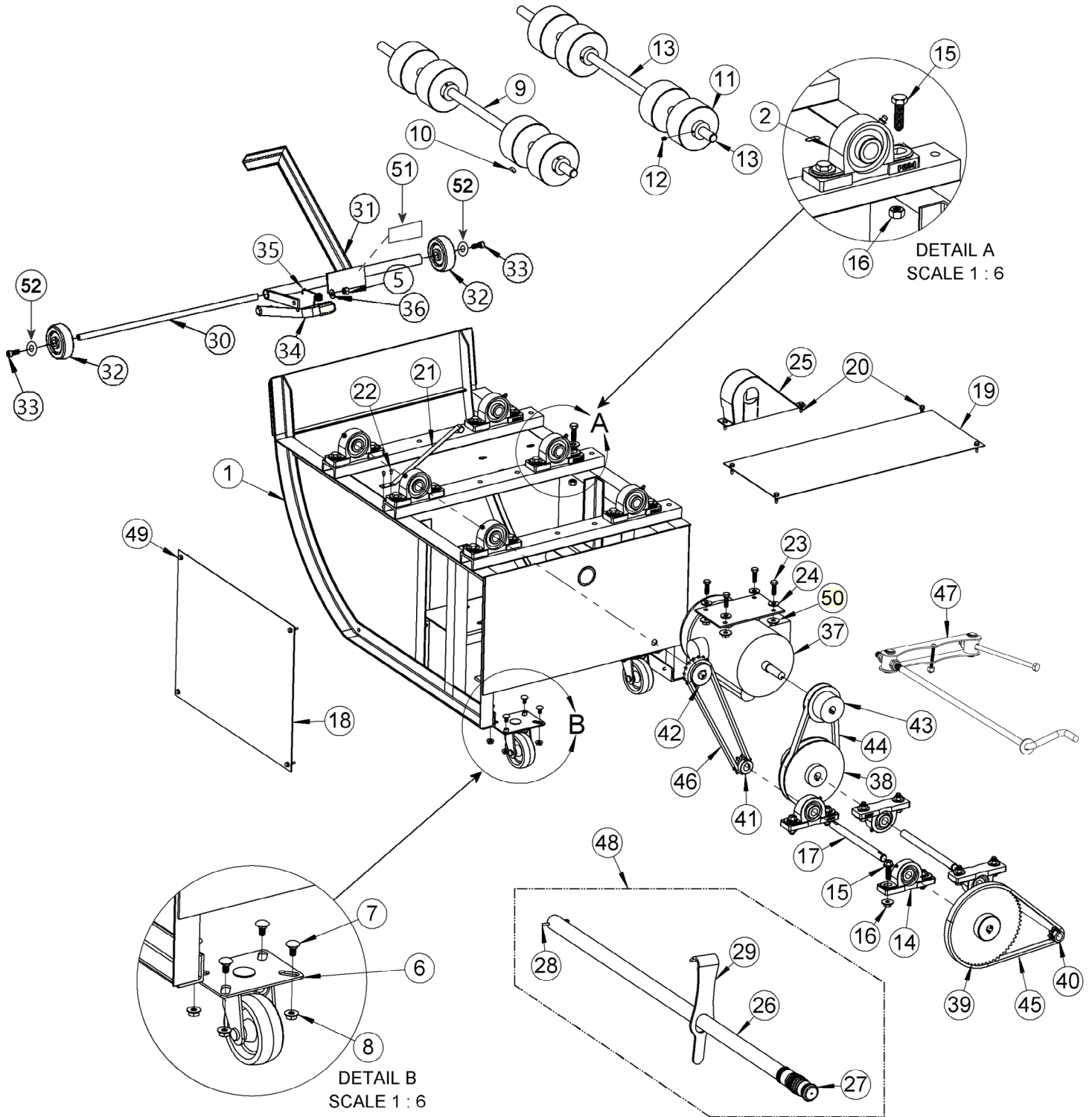


Parts List and Diagram for Morse 201VS Series Portable Drum Roller Serial Number 419760 to _____



Parts List and Diagram for Morse 201VS Series Portable Drum Roller
Serial Number 419760 to _____

ITEM #	PART #	DESCRIPTION	QTY.
1	190W-P	BASE FRAME WELD, 201	1
2	185-P	BEARING, 3/4" PILLOW BLOCK 201	6
5	1169-P	NUT, 3/8-16 REV HEX LOCK	1
6	198-P	CASTER, 3", 14, 34, 201	2
7	1317-P	BOLT, 1/4-20 X 1/2 CARRIAGE	8
8	3923-P	NUT, 1/4-20 WHIZ LOCK	8
9	5879-P	DRIVE SHAFT 3/4", 201	1
10	735-P	KEY, WOODRUFF, SIZE 9, ASA606	5
11*	202-P	WHEEL, DRIVE OR IDLER, 4", 201	8
12	4767-P	SET SCREW, 1/4-20 X 3/8 KNURL	16
13	6026-P	IDLER SHAFT 3/4", 201	1
14	5583-P	BEARING, 5/8" PILLOW BLOCK	4
15	4003-P	BOLT, 3/8-16 X 1-1/4 WHIZ	20
16	4002-P	NUT, 3/8-16 WHIZ LOCK	20
17	194-P	JACK SHAFT, 201, 305 SERIES	2
18	6008-P	SIDE PLATE, POLY, 201	2
19	5880-P	TOP PLATE, 201	1
20	193-P	SCREW, TEK, 12-14 X 3/4 3 PT	6
21	217-P	GROUNDING STRAP, 5154, 201	1
22	213-P	SCREW, DRIVE, #7 X 5/16	2
23	35-P	HHCS, 5/16-18 X 1 GR2	4
24	1570-P	WASHER, 5/16 USS 7/8 OD	4
25	5773-P	GUARD, CHAIN, 201, 40 PITCH	1
26	5898-P	HANDLE TUBE, 201 TIPPING LEVER	1
27	83-P	GRIP, HANDLE, 1-1/4 X 4-1/2	1

ITEM #	PART #	DESCRIPTION	QTY.
28	163-P	COTTER PIN, 3/16 X 2"	1
29	5833-P	HOOK, TIPPING LEVER, 201	1
30	5878-P	AXLE, 1/2" X 18, 201	1
31	5876-P	WELD, KICK STAND, 201	1
32	210-P	WHEEL, MORTUF 3" X 1/2"BORE 36	2
33	5874-P	SHCS, 5/16-18 X 3/4"	2
34	5822W-P	RELEASE LEVER WELD, KICK STAND	1
35	5927-P	SPRING, TORSION 201 KICK STAND	1
36	1166-P	WASHER, 3/8 USS 1" OD, ZINC	1
37	MOTOR	-- SEE LIST BELOW --	1
38	6869-P	SHEAVE, 6" X 5/8 BORE VS 1223	1
39	2549-P	SPROCKET #35 60T, 5/8" BORE	1
40	2543-P	SPROCKET #35 10T, 5/8" BORE	1
41	5886-P	SPROCKET #40 10T, 5/8" BORE	1
42	5820-P	SPROCKET #40 16T, 3/4" BORE	1
43	191-P	SHEAVE, 3-1/4 X 5/8, 201VS AC	1
43	191-C-P	SHEAVE, 3-1/4 X 1/2, 201VS AIR	1
44	191B-P	VEE BELT, B SECTION, 201VS	1
45	2949-P	CHAIN, ROLLER, #35 78 PITCH	1
46	5888-P	CHAIN, ROLLER, #40, 201VS	1
47	6760-P	SPEED ADJUSTER ASM, 201VS 1223	1
48	5884-P	TIPPING LEVER ASM, 201, 201VS	1
49	6009-P	SCREW, 12-24 X 7/8 4 PT 201	8
50	1634-P	NUT, 5/16-18 WHIZ LOCK	4
51	5881-P	ANTI-SLIP STRIP, 201	1
52	1650-P	WASHER, 5/16 SPLIT LOCK	2

ITEM 37 - MOTOR				
ITEM #	PART #	DESCRIPTION	QTY.	FITS MODEL #
37	228i-1-P	MOTOR, 1/2HP, 1PH, RB, TEFC	1	201VS-1
37	228-1-50-P	MOTOR, 1/2HP, 1PH RB TEFC 50HZ	1	201VS-1-50
37	228-3-P	MOTOR, 1/2HP, 3PH, RB, TEFC	1	201VS-3
37	228-3-50-P	MOTOR, 1/2HP, 3PH RB TEFC 50HZ	1	201VS-3-50
37	228-575-P	MOTOR, 1/2HP, 3PH RB TEFC 575V	1	201VS-575
37	228-E1-P	MOTOR, 1/2HP, 1PH, RB, EXP	1	201VS-E1
37	290-E1-50-P	MOTOR, 1/2HP, 1PH 56C 50HZ EXP	1	201VS-E1-50
37	228-E3-P	MOTOR, 1/2HP, 3PH, RB, EXP	1	201VS-E3
37	228-E3-50-P	MOTOR, 1/2HP, 3PH, RB 50HZ EXP	1	201VS-E3-50
37	228-E575-P	MOTOR, 1/2HP, 3PH, RB 575V EXP	1	201VS-E575
37	228-A-P	MOTOR, AIR, RB, 201, 305	1	201VS-A