

Air Motor Operating and Maintenance Instructions

WARNING:

- **Air Motor MUST be operated with Filter, Regulator and Lubricator (FRL)**
- **Do NOT exceed 60 PSI. See chart below for recommended air pressure.**
- **Must supply with properly lubricated air**
- **Failure to properly install / operate air motor will void Manufacturer’s Limited 1 Year Warranty!**

Lubrication

1. Use a detergent SAE #10 automotive engine oil.
2. The lubricator should be adjusted to feed one drop of oil per minute.
3. Do NOT allow air motor to run at high speeds without a load and proper lubrication. Rapid motor damage and/or failure will occur.
4. For further operating and maintenance instructions, please refer to literature sheet supplied with motor.

Installation

1. Install a filter, regulator, and lubricator (FRL) in air line ahead of motor. Morse can supply an FRL Kit for field installation at extra cost.
 - See chart below for appropriate FRL Kit.
 - See FRL literature sheet for operating instructions.
2. Use air lines the same size, or the next appropriate pipe size larger than the intake port of the motor. To run the unit properly, see recommended air pressure (PSIG) and standard cubic feet per minute (SCFM) in the chart below. DO NOT EXCEED 60 PSIG. The air line size is dependent upon the length of the line and number of restrictions. For example, in order to run the unit at 40 PSIG and 40 SCFM, a 100 foot line or hose would require a 5/8" I.D.

Series	Serial Number Range	Air Pressure (Minimum PSI)	Air Consumption (SCFM)	Air Motor Connection Size	FRL Connection Size	FRL Kit
201	ALL	40	22	1/4"	1/4"	90010-P
305	ALL	40	22	1/4"	1/4"	90010-P



morsedrum.com



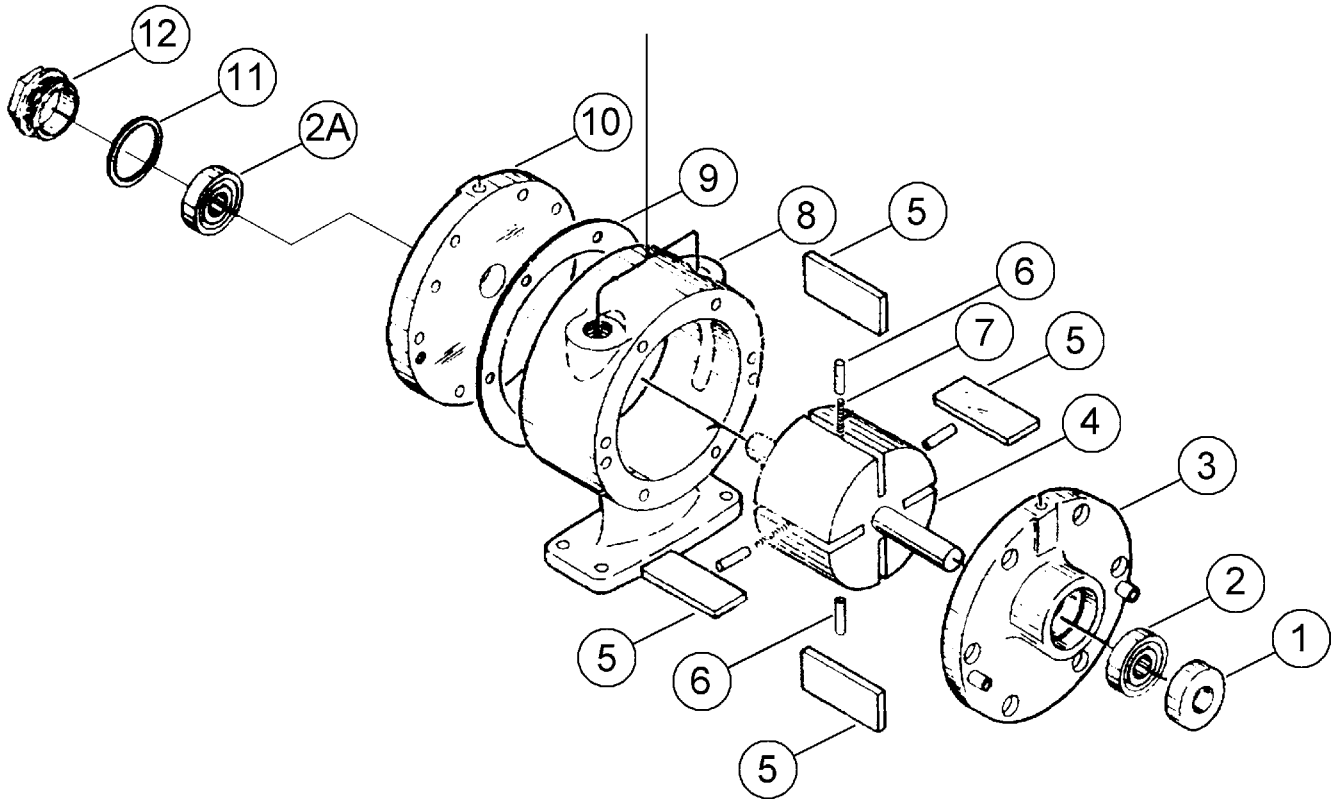
service@morsedrum.com



(315) 437-8475



103 Kuhn Rd.
Syracuse, NY, 13208 USA



ITEM #	QTY.	PART #	DESCRIPTION
1	1	AC466B-P	SEAL, SHAFT, 228-A-2P
2	2	AA299J-P	BEARING, DRIVE, DEAD, 228-A-P
3	1	AC727-P	DRIVE END PLATE, 228-A-P
4	1	AB617-P	ROTOR ASM, 228-A-P
5	4	AB876-P	VANE, 228-A-P, 290-A-P
6	4	AM467-P	PUSH PIN, 228-A-P, 290-A-P
7	2	AM466-P	SPRING, VANE, 228-A-P, 290-A-P
8	1	AM425-P	BODY, 228-A-P
9	2	B330-P	SHIMS, 228-A-P, 290-A-P
10	1	AC728-P	DEAD END PLATE 228-A-P 290-A-P
11	1	AA46-P	GASKET END CAP 228-A-P 290-A-P
12	1	AM307D-P	CAP, DEAD END 228-A-P, 290-A-P
13	1	AL445-P	MUFFLER ASM, 228-A-P, 290-A-P
14	1	AL458-P	CARTRIDGE, MUFFLER 228A 290A
15	1	AC983-P	FELT, MUFFLER 228-A-P, 290-A-P
	1 *	K205-P	KIT, SERVICE, 228-A-P

* Service Kit includes items 1, 2, 5, 6, 7, 9, 11, 14 and 15.