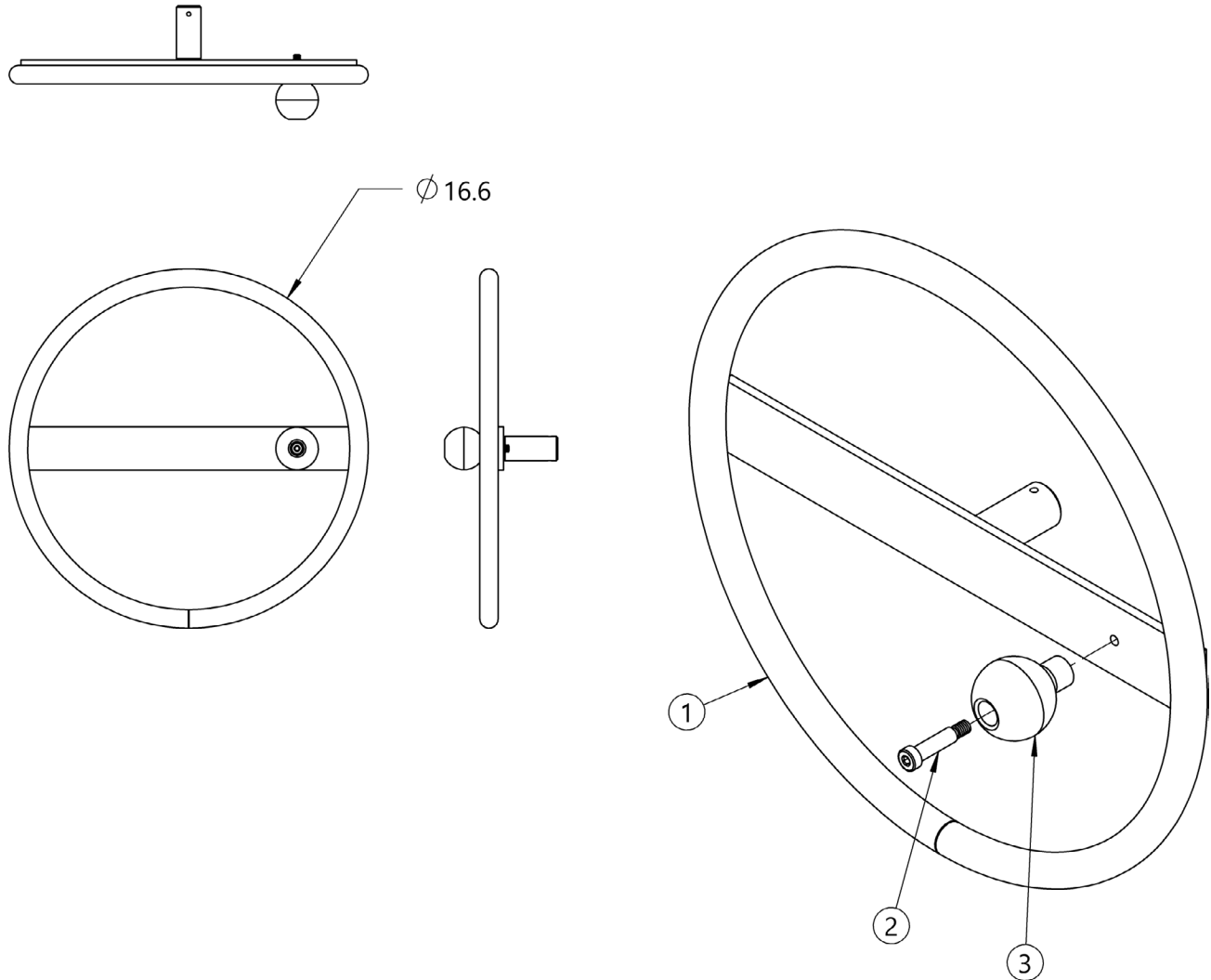


Parts Diagram for Morse part number 2685SS-P
16" Stainless Steel Hand Wheel



ITEM NO.	PART NUMBER	DESCRIPTION	QTY.
1	2687SSW-P	HANDWHEEL WELD, 16" SS	1
2	3886-P	SCREW 3/8 X 1-1/4 SHOULDER	1
3	6506-P	KNOB, HANDWHEEL, ALUM	1