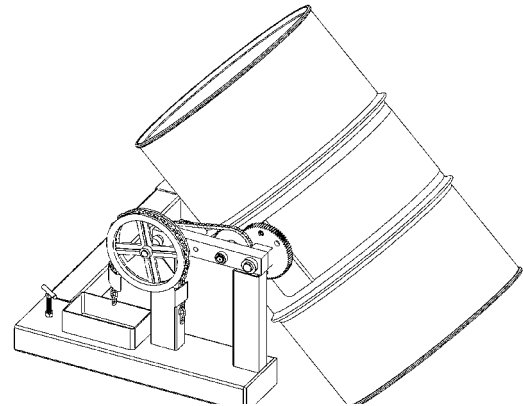
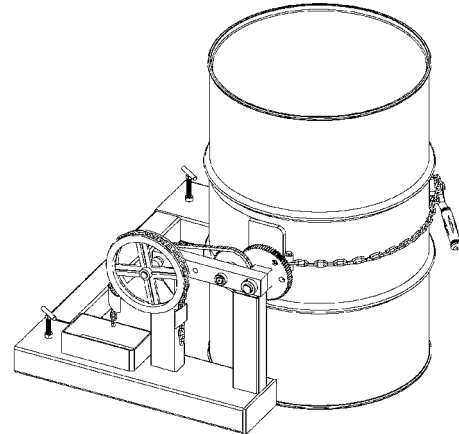


Contents

	Page
Receiving Procedures.	1
Warranty.	1
Safety Information.	1 - 2
Machine Description.	3 - 4
Operating Instructions.	4 - 5
Maintenance.	5
Parts List and Diagram.	6 - 7

Operator's Manual
for Morse Forklift-Karrier
with Spark Resistant Parts
Model 285AM

Serial Number 0487 to ____ (MMYY)



Receiving Procedures

Every Morse drum handler is inspected prior to shipping. However, damage may be incurred during transit.

- Check for visible damage. If you choose to accept damaged freight, always sign noting the damage on the **Bill of Lading**.
- Document the damage and have the truck driver sign. We recommend keeping a digital camera at your receiving dock for this purpose.
- Open packages expeditiously to check the condition of the goods. There is only a 24 hour window to notify the carrier of any concealed damage.
- Immediately **report all damage to the shipping company!** Then you may contact Morse for assistance with your freight claim.
- Morse Manufacturing will not be held responsible for any damaged freight that is not signed for as damaged.

Limited 2 Year Warranty

Morse drum handling equipment is guaranteed against defects in workmanship or materials for two years when used properly within its rated capacity. Warranty does not cover wear from normal use or damage from accident or abuse. Motors and other purchased parts carry the warranties of their manufacturers.

For warranty claims, contact your Morse Dealer to obtain a return authorization number, and for return freight advice. Return freight must be prepaid.

In all instances, liability is limited to the purchase price paid or to repairing or replacing the product. Customer assumes liability for any modifications, unauthorized repairs or parts substitution.

Safety Information

While Morse Manufacturing Co. drum handling equipment is engineered for safety and efficiency, a high degree of responsibility

must be placed upon the machine operator to follow safe practices, based primarily on common sense, upon which true safety depends.

Failure to follow the safety precautions in this manual can result in personal injury or property damage. Observe the same precautions as with similar machinery where carelessness in operating or maintenance is hazardous to personnel. Carefully read the safety precautions below and throughout this manual.

Review the Material Safety Data Sheet(s) for the material(s) in the drum(s) and take all necessary precautions. Safety shoes, work gloves, hard hat and other personal protective devices are recommended.

Prior to initial use, inspect all moving parts and test rotation of chain wheel and saddle assembly. Inspect saddle assembly for proper operation. Perform necessary load test, inspections, operator training, etc.

Operator's Manual for Morse Forklift-Karrier with Spark Resistant Parts Model 285AM with Serial Number 0487 to ____ (MMYY)

Safety Information (continued)



DANGER - Indicates a situation which, if not avoided, will result in serious injury or death. This signal word is limited to the most extreme situations.



WARNING - Indicates a situation which, if not avoided, could result in serious injury or death.



CAUTION - Indicates a situation which, if not avoided, can result in damage to the machine.



CAUTION – Do Not Transport with Drum Raised. Always lower the drum holder to lowest position before transporting.



WARNING - The Forklift-Karrier is designed to handle one drum of the types listed at the top of page 3. Machine Description. DO NOT attempt to handle any other type of drum or object. DO NOT exceed the weight capacity of 800 Lb.



WARNING - Do Not Modify the Unit.
Under no circumstances should any modifications be made to the Morse machinery without factory authorization. Any modifications may void the warranty. This machine was designed to perform a specific job and alterations may result in injury to operator or machine.



WARNING - No Loose Fitting Clothing
Wear close-fitting clothing and safety equipment appropriate to the job. Loose fitting clothing may become caught on the machinery and cause severe personal injury.



CAUTION - Wear Safety Shoes
Wear safety shoes with non-slip soles and hard toe protection.



CAUTION: DO NOT allow drum to impact on floor, ground, or dumping station, etc.

**Operator's Manual for Morse Forklift-Karrier with Spark Resistant Parts
Model 285AM with Serial Number 0487 to ____ (MMYY)**

Machine Description

The Model 285AM Forklift-Karrier is designed to lift, transport, and dispense a ribbed 55-gallon steel drum 22.5" in diameter. The maximum full-drum capacity is 800 Lb. The capacity is derated to 500 Lb. for a half-full drum. The half-full rating is based on the tilt mechanism's capacity for handling an unbalanced bottom-heavy drum.

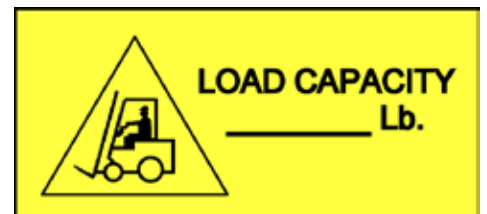


Options

- A smaller diameter drum can be handled with the correct size 55/30M Series Spark Resistant Diameter Adaptor installed (see Diameter Adaptor literature)

Important

1. Review the Material Safety Data Sheet(s) for the material(s) in the drum(s) and take all necessary precautions. Safety shoes, work gloves, hard hat and other personal protective devices are recommended.
2. Please read all instructions thoroughly before attempting to operate your new Morse drum handler.
3. The model 285AM has a maximum capacity rating of 800 Lb. full drum and 500 Lb. half-full drum and is designed to lift, move and pour a 55-gallon steel drum. DO NOT exceed these ratings. Exceeding these ratings or handling drums other than those mentioned above is unsafe and could result in equipment damage, excessive wear or awkward handling.
4. When loading, unloading, operating, or maintaining your MORSE drum handler, always use care and good judgment. Maintain secure footing and a firm hold. Keep hands and loose clothing away from all moving parts. Never allow anyone to be below any part of a raised drum handler or drum. Read operating instructions and review the pictures in the sales brochure before operation.
5. Because the model 285AM is a front-end attachment for a forklift, OSHA recommends that "... the truck (forklift) be marked to identify the attachment(s) and show the approximate weight of the truck and attachment combination at maximum elevation with load laterally centered." See center of gravity dimensions of model 285AM on page 5 for calculating lost load on your equipment.
6. Prior to initial use, inspect all moving parts and test rotation of chain wheel and saddle assembly. Inspect saddle assembly for proper operation. Perform necessary load test, inspections, operator training, etc.



**Operator's Manual for Morse Forklift-Karrier with Spark Resistant Parts
Model 285AM with Serial Number 0487 to ____ (MMYY)**

Operating Instructions

1. Before sliding forklift forks into the fork tubes, adjust forks to an inside spread of 24.5" minimum. Lock forks into position on the forklift carriage.
2. Drive the forklift forward to slip the forks into the fork tubes (see item #36). Tighten tee screws (item #37) to secure the Forklift-Karrier to the forks.
3. Release the cinch chain (item #19), and hang the loose end from the upright peg on the front of the gear block. Swing the ratchet hinge plate to the open position.
4. Drive the forklift with the Forklift-Karrier near floor level to position the saddle band around the middle of the drum between the ribs.
5. Drape the cinch chain across the front of the drum and insert one link into the slot on the ratchet handle (item #33). Turn the ratchet handle clockwise to tighten the cinch chain around the drum (Figure 3.2).
6. Remove pull chain (item #3) from chain box on base frame (item #36) and place end of loop near operator's seat.
7. Raise forks to clear the floor and transport drum in vertical position to dispensing location.
8. To pour drum: pull on chain (item #3), rotating drum to angle required for dispensing. To control the pouring angle of the drum, pay out one side of chain and pull the other side to prevent the drum from free-wheeling.
9. If the Forklift-Karrier is equipped with the MORStop Tilt-Brake, there is no need to hold tension on both sides of the chain loop. Braking is immediate and self-actuating, without additional steps by the operator. To add the MORStop Tilt-Brake to your Forklift-Karrier, order kit for field installation (part # 3900-P).
10. When dispensing is completed, rotate the drum back to vertical and return drum. While transporting, ensure that the drum is raised away from the floor to prevent the drum bottom from interfering with a pallet or other obstacle.

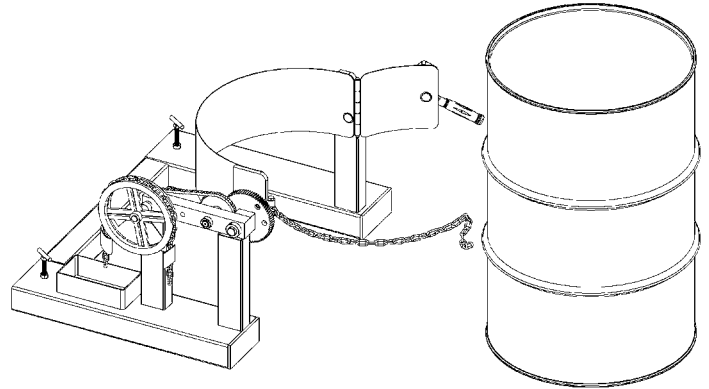


Figure 3.1

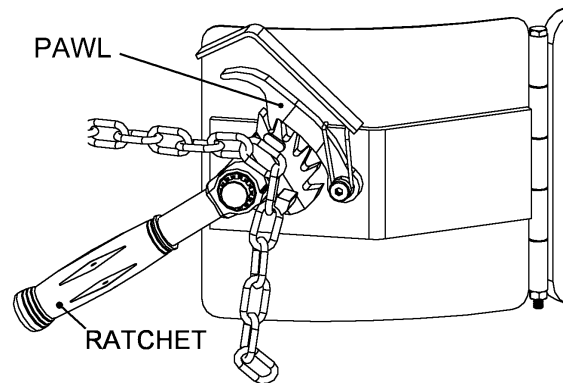


Figure 3.2

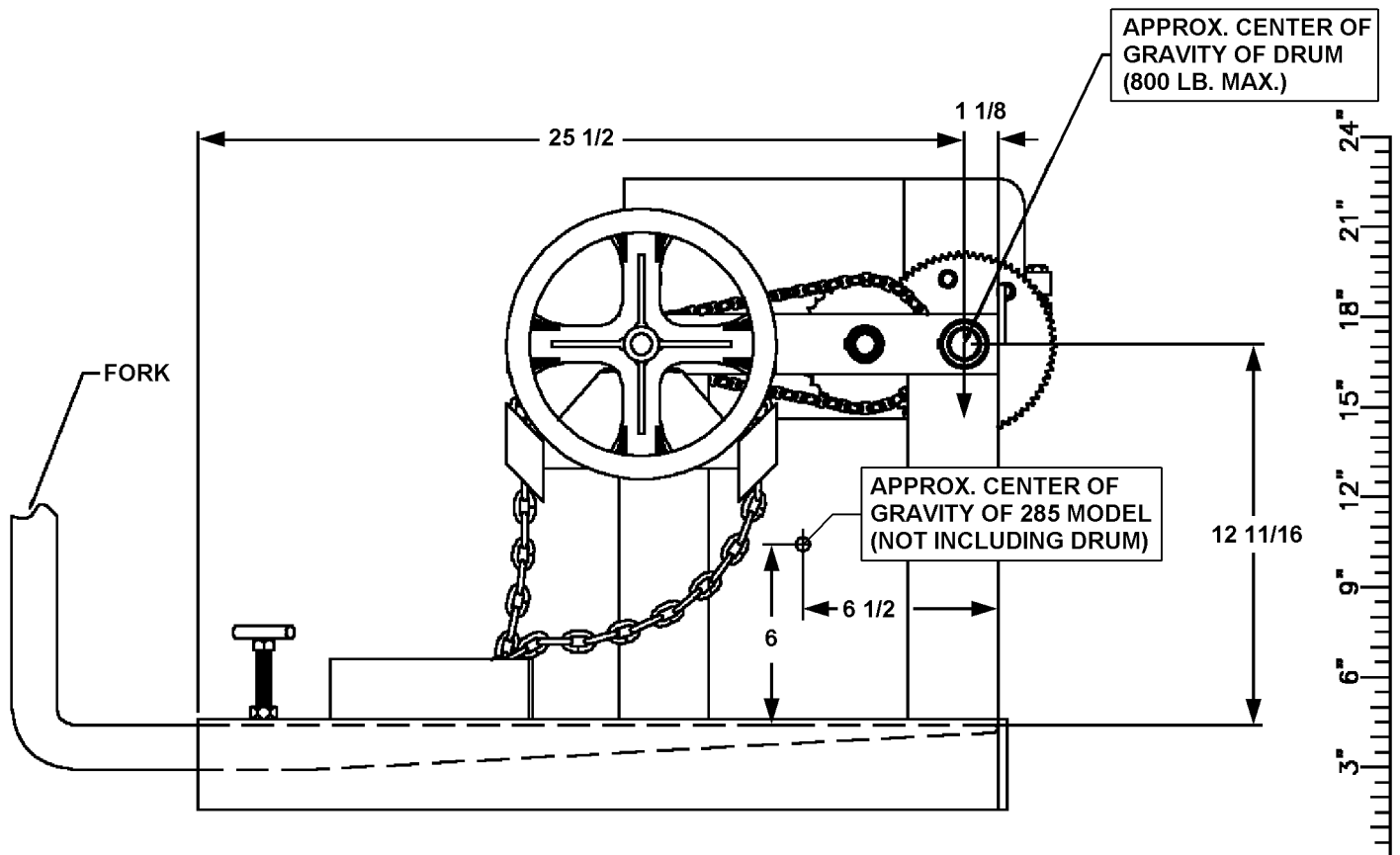
Maintenance

Periodic inspection for the general condition of structural and mechanical components is imperative for safe and efficient operation.

1. Lubricate gear teeth and roller chain.
2. Clean and oil ratchet, pawl and other moving parts periodically. Clean and lubricate more often in environments where dust, dirt or other foreign particles will effect the performance of moving parts.
3. Periodically inspect all moving parts, framework, drum holder and contact areas for signs of wear, fatigue, or loosening. Tighten, adjust, or replace parts as necessary to prevent failure and maintain proper function.
4. Worn or damaged parts must be properly replaced with the correct, genuine Morse parts.

Operator's Manual for Morse Forklift-Karrier with Spark Resistant Parts
Model 285AM with Serial Number 0487 to ____ (MMYY)

CENTER OF GRAVITY DIMENSIONS FOR CALCULATING LOST LOAD ON EQUIPMENT



DIMENSIONS ARE MEASURED FROM INSIDE OF FORK TUBE END. THIS WILL GIVE A FIXED POINT TO WHICH LOST LOAD DATA CAN BE DETERMINED. (FORKS MUST BE TOUCHING THIS FORK TUBE END.)

MODEL	NET WEIGHT
285A	138 LB.
285AM	138 LB.
285A/E	140 LB.
285G	148 LB.

OPTION	ADD OR SUBTRACT TO MODEL
X01	0 LB.
X02	-4 LB.
X03	0 LB.
X04	+8 LB.

**Operator's Manual for Morse Forklift-Karrier with Spark Resistant Parts
Model 285AM with Serial Number 0487 to ____ (MMYY)**

ITEM	QTY.	PART #	DESCRIPTION
1 *	1	1-P	CHAIN WHEEL #1-1/2 W/ GUIDE SR
2	1	3-P	TRIANGLE & SHAFT W/ BOLTS
3 *	1	2953-P	CHAIN, PULL, BRASS, 1/0, 20'
4	1	15-P	COLLAR, 3/4" ID
5 *	1	19-P	BEARING, 3/4" ID X 2-1/2"
6 *	1	7-P	BEARING, 3/4" ID X 1-1/2"
7	1	16-P	COLLAR, 1" ID
8 *	1	18-P	BEARING, 1" ID X 2-1/2"
10	1	64-P	ROLL PIN, 3/16 X 1-1/4
11 *	1	11-P	SPROCKET, #35 12T, 3/4" BORE
12 *	1	12-P	CHAIN, ROLLER, #35 W/ M LINK
13 *	1	14-P	GEAR, PINION, 7 TOOTH
14 *	2	735-P	KEY, WOODRUFF, SIZE 9, ASA606
15 *	1	13-P	SPROCKET #35 36T, 3/4" BORE
16	1	29-P	SPACER, SPUR GEAR .15"
17 *	1	23-P	GEAR, SPUR, 72T, 1" HOLE
18	1	4081-P	NUT, M8 ESNA, 8MM
19 *	1	4408-P	CHAIN, CINCH, 9/32 SS, 38 LINK
20	1	4079-P	HHCS, M8 X 60 MM CL8.8, 8MM
22	1	725AM-P	SADDLE ASM, 285A-M, SR
23	1	1296-P	1/4 - 20 X 7-1/2 HHCS GR 5 STL
24	3	55-P	WASHER, 3/4 SAE FL 1-1/2 OD
25	1	1297-P	1/4 - 20 REV HEX LOC NUT
26	2	22-P	3/8 - 24 X 5/8" SHCS STL
27 *	1	165KITM-P	KIT, RATCHET TIGHTENER, SR
28	1	731M-P	PLATE, RATCHET HINGE, 1/4", SR (NOT SOLD SEPARATELY)
29	1	168-P	PAWL, WITH DRILLED HOLE
30	1	169-P	PAWL SPRING
31	1	710-P	RETAINER, RATCHET PUSH ON 3/4"
32	1	170-P	3/8" DIA X 5/8" SHOULDER SCREW
33	1	165SS-P	RATCHET, STEEL-IT
34	1	4409-P	GRIP, HANDLE 7/8" X 4-3/4" RED
35	1	726M-P	HINGE PLATE CPT, 1/4" SR
36	1	770A-P	BASE FRAME 285A W/BRG
37	2	58-P	LOCK TEE SET SCREW, 285

* Recommended spare parts

Operator's Manual for Morse Forklift-Karrier with Spark Resistant Parts
Model 285AM with Serial Number 0487 to ____ (MMYY)

