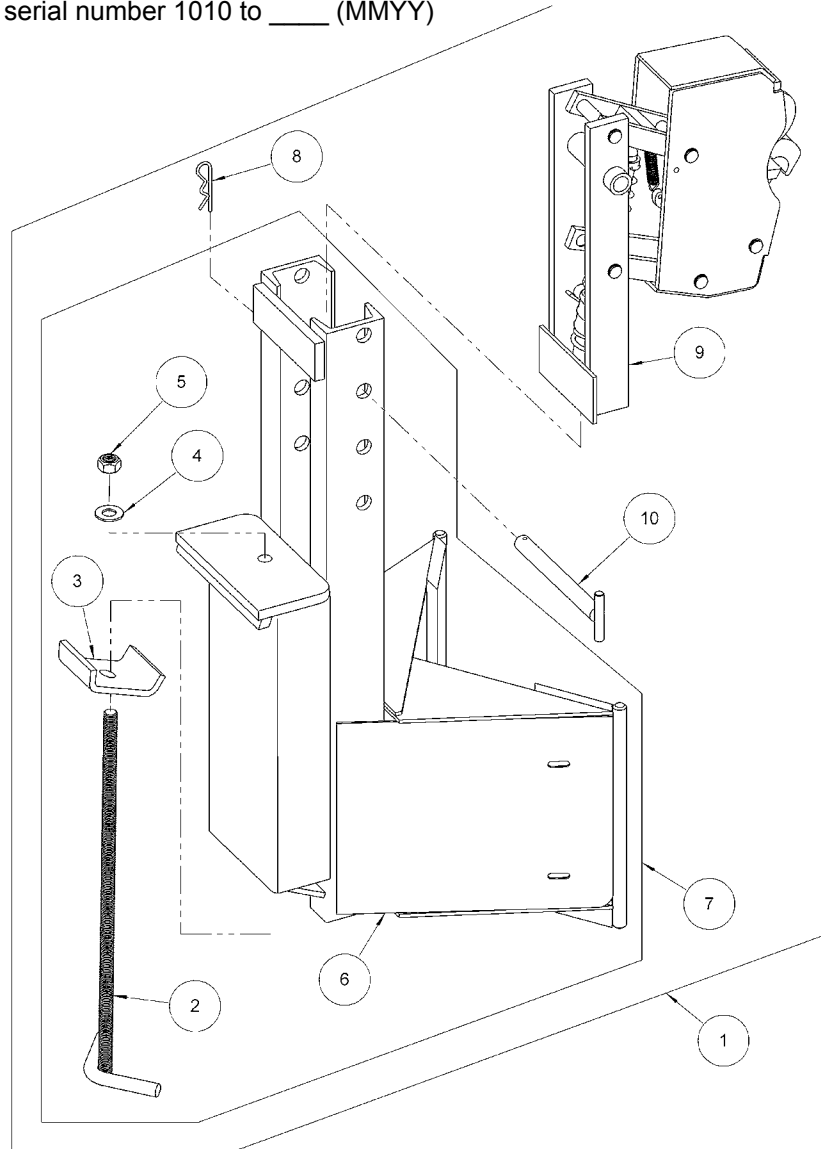


MORSPEED™ Carriage Mount Drum Handler

Used on:

- 512 and 522 Series with serial number 275611 to _____
- Model 287, 288-1 and 288-2 with serial number 1010 to ____ (MMYY)



ITEM	QTY.	PART #	DESCRIPTION
1	1	287	MORSPEED CARRIAGE MOUNT 1 HEAD
2	1	2625-P	TIE ROD WELD, 287
3	1	2619-P	TIE ROD HOOK, 287
4	1	17-P	WASHER, 5/8 SAE FL 1-5/16 OD
5	1	2626-P	NUT, 5/8-11 FIN HEX
6	1	2624A-P	CARRIAGE MOUNT WELD, 287
7	1	2624-P	CARRIAGE MNT W/LOCK W/O HEAD
8	1	913-P	HAIR PIN, PIN RETAINER, 287
9	1	4900-P	HEAD, MORSPEED, '12
10	1	911-P	LOCK PIN WELD, 287