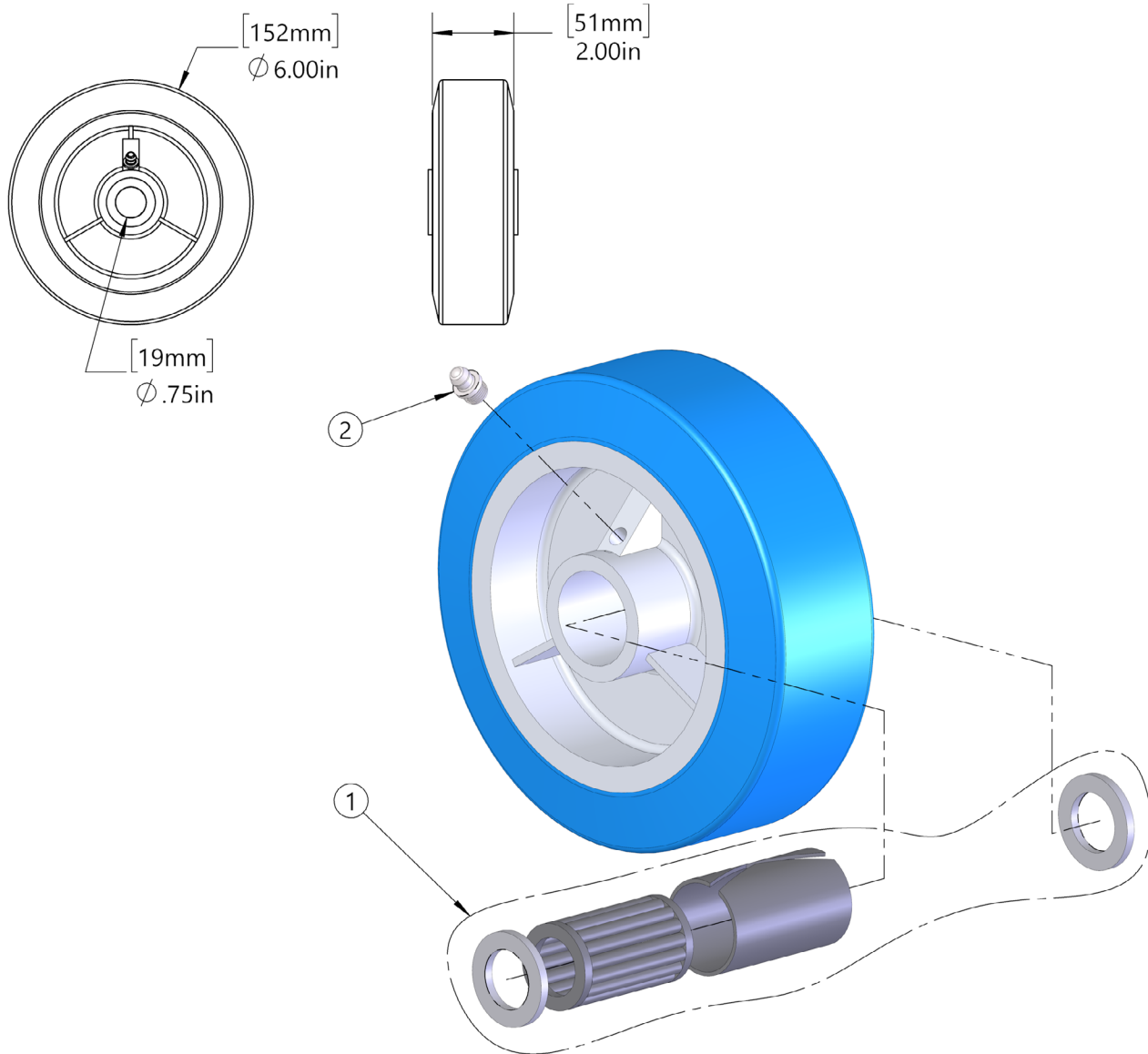


Parts List and Diagram for Morse Part 292-P 6" Idler with 3/4" Bearing

292-P
 6" X 2" IDLER WHEEL USED ON MORSE 456 AND 5154 SERIES DRUM ROTATORS
 - 3/4" ROLLER BEARING
 - NEOPRENE TREAD, ALUMINUM CONSTRUCTION



ITEM NO.	PART NUMBER	DESCRIPTION	QTY.
1	1875-P	BEARING, 3/4" ID, 6" WHEEL	1
2	33-P	ALEMITE GREASE FIT	1

[NOTE: 1875-P INCLUDES (2) RETAINERS, BEARING, SLEEVE]