

PARTS LIST

Part # 30133-P Base Assembly for 620 Series 2-Stage MORStak

Serial # 181180 to _____

Part # 310134-P Base Assembly for 520 and 525 Series 2-Stage Vertical-Lift Drum Pourers

Serial # 192000 to _____

ITEM	MODEL	SCALE	MODEL SUFFIX	QTY	P/N	DESCRIPTION
1	525	T		1	3231-P	SCALE INDICATOR, T
1	525	N		1	3273-P	SCALE INDICATOR, N
2	525	T		1	3230-P	BATTERY PACK, ACC 575, T
3	525			1	3233-P	BRACKET, SCALE, ACC 357, T, N
4	525			1	3579-P	MOUNT WELD, INDICATOR, SCALE
5	525	T		1	3232-P *	CHARGER, SCALE, ACC 5815, T
6	525			4	64-P	ROLL PIN, 3/16 X 1-1/4
6				2	64-P	ROLL PIN, 3/16 X 1-1/4
7				1	3294-P	HANDLE WELD, FLOOR LOCK VERT
8				1	1840-P	KICK STAND TUBE, 201 SERIES
9				1	718-P	PUSH NUT, 1/2"
10				2	716-P	PUSH NUT, 3/8"
11				1	3305-P	PIN, HAND FLOOR LOCK, VERT
12				1	3297-P	PUSH TUBE WELD FLOOR LOCK VERT
13				1	3302-P	FLEX COUPLING, FLOOR LOCK VERT
14				1	3169-P	SPRING, COMP, FLOOR LOCK VERT
15				1	3303-P	STAND WELD, FLOOR LOCK VERT
16				1	91-P	1/2 - 13 FIN HEX NUT
17*				1	3171-P	PAD, FLOOR LOCK, VERT LIFT
18				2	83-P	HANDLE GRIP, 1-1/4 X 4-1/2
19				4	1867-P	10 - 24 X 1-1/2" BHSC
20				4	1869-P	10 - 24 NYLON LOCK NUT
21				2	3046-P	ANCHOR, LEAF CHAIN ADJUST VERT
22				4	1545-P	7/8 - 9 FIN HEX NUT
23				2	149-P	3/8 - 16 FIN HEX NUT
24				2	1474-P	WASHER, 3/8 SPLIT LOCK
25				8	1169-P	3/8 - 16 REV HEX LOC NUT
26				2	3049-P	CASTER, SWIVEL, 6" VERT LIFT
27				8	1572-P	3/8 - 16 X 1" HHCS GR 2
28				2	138-P	CLEVIS PIN 5/8 X 3"
29				1	3573-P	HYD HOSE ASM, VERT, CYL, 48"
30				1	765-P	HYD FIT, MALE ELBOW, FLARE 400
31				1	3008-P	CYLINDER, 1.5 X 52, 520 525 625
32				1	3465-P	U-BOLT, 3/8-20 X 6, 510 611
33				2	704-P	AXLE, 3/4", USE WITH PUSH-ON
34				2	87-P *	WHEEL, MORTUF, 8", 3/4" BRG
34	620		110, 114, 115	2	2993-P	WHEEL, 5 X 2 W/ 3/4 ROLLER
35				2	705-P *	PUSH-ON HUB CAP, 3/4"
36				4	3194-P	BEARING, CHANNEL ROLLER VERT
37				2	710-P	RETAINER, RATCHET PUSH ON 3/4"
38	520, 525			2	55-P	WASHER, 3/4 SAE FL 1-1/2 OD
38	520		120, 124, 125	2	55-P	WASHER, 3/4 SAE FL 1-1/2 OD
38	520		110, 114, 115	3	55-P	WASHER, 3/4 SAE FL 1-1/2 OD
38	525		120, 124, 125	3	55-P	WASHER, 3/4 SAE FL 1-1/2 OD
38	525		110, 114, 115	4	55-P	WASHER, 3/4 SAE FL 1-1/2 OD
39	520		110, 114, 115	1	3471H-P	PULLEY, HOSE/ WIRE, VERT
39	525			1	3471H-P	PULLEY, HOSE/ WIRE, VERT
39	525		120, 124, 125	1	3471H-P	PULLEY, HOSE/ WIRE, VERT
39	525		110, 114, 115	2	3471H-P	PULLEY, HOSE/ WIRE, VERT
40	520, 525		110, 114, 115	2	3572-P	HYD HOSE ASM, 2X PT, 156"
40	620		110, 114, 115	2	3574-P	HYD HOSE ASM, 620, 156"
41	520, 525			2	3474-P	LIFT CHAIN, 1/2" LEAF, 520
41	620		110, 114, 115	2	3475-P	LIFT CHAIN, 1/2" LEAF, 620
42				2	3471-P	PULLEY, LEAF CHAIN, VERT
43	520			1	3470A-P	SHAFT, 2 PULLEY, LEAF CHAIN
43	520		120, 124, 125	1	3470A-P	SHAFT, 2 PULLEY, LEAF CHAIN
43	520		110, 114, 115	1	3470B-P	SHAFT, 3 PULLEY, LEAF CHAIN
43	525			1	3470B-P	SHAFT, 3 PULLEY, LEAF CHAIN
43	525		120, 124, 125	1	3470B-P	SHAFT, 3 PULLEY, LEAF CHAIN
43	525		110, 114, 115	1	3470C-P	SHAFT, 4 PULLEY, LEAF CHAIN
44	620		110, 114, 115	1	3583-P	CABLE, LIMIT SWITCH, 620

* Recommended Spare Parts

PARTS DIAGRAM

Part # 30133-P

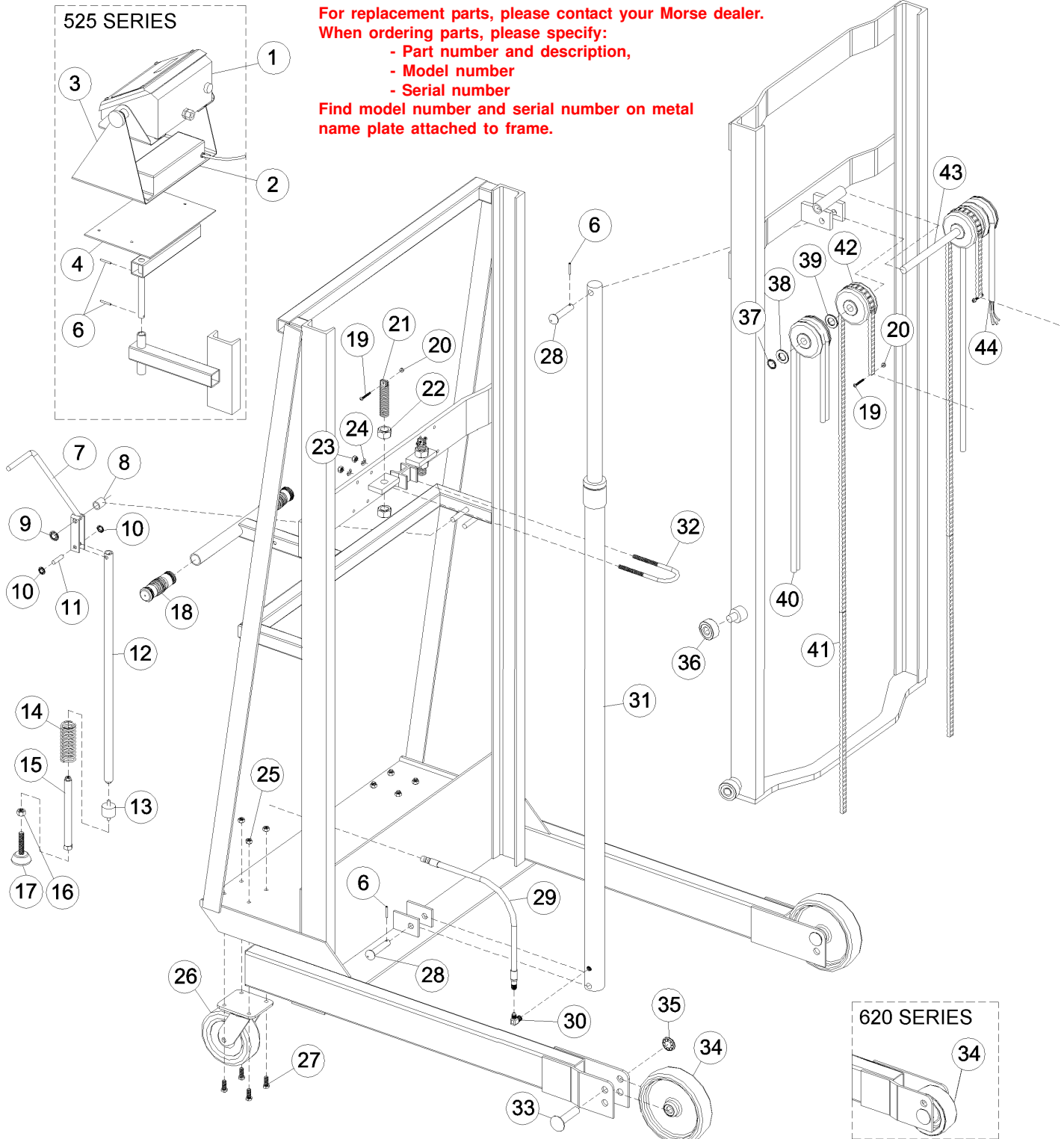
Base Assembly for 620 Series 2-Stage MORStak

Serial # 181180 to _____

Part # 310134-P

Base Assembly for 520 and 525 Series 2-Stage Vertical-Lift Drum Pourers

Serial # 192000 to _____



For replacement parts, please contact your Morse dealer.

When ordering parts, please specify:

- Part number and description,
- Model number
- Serial number

Find model number and serial number on metal name plate attached to frame.