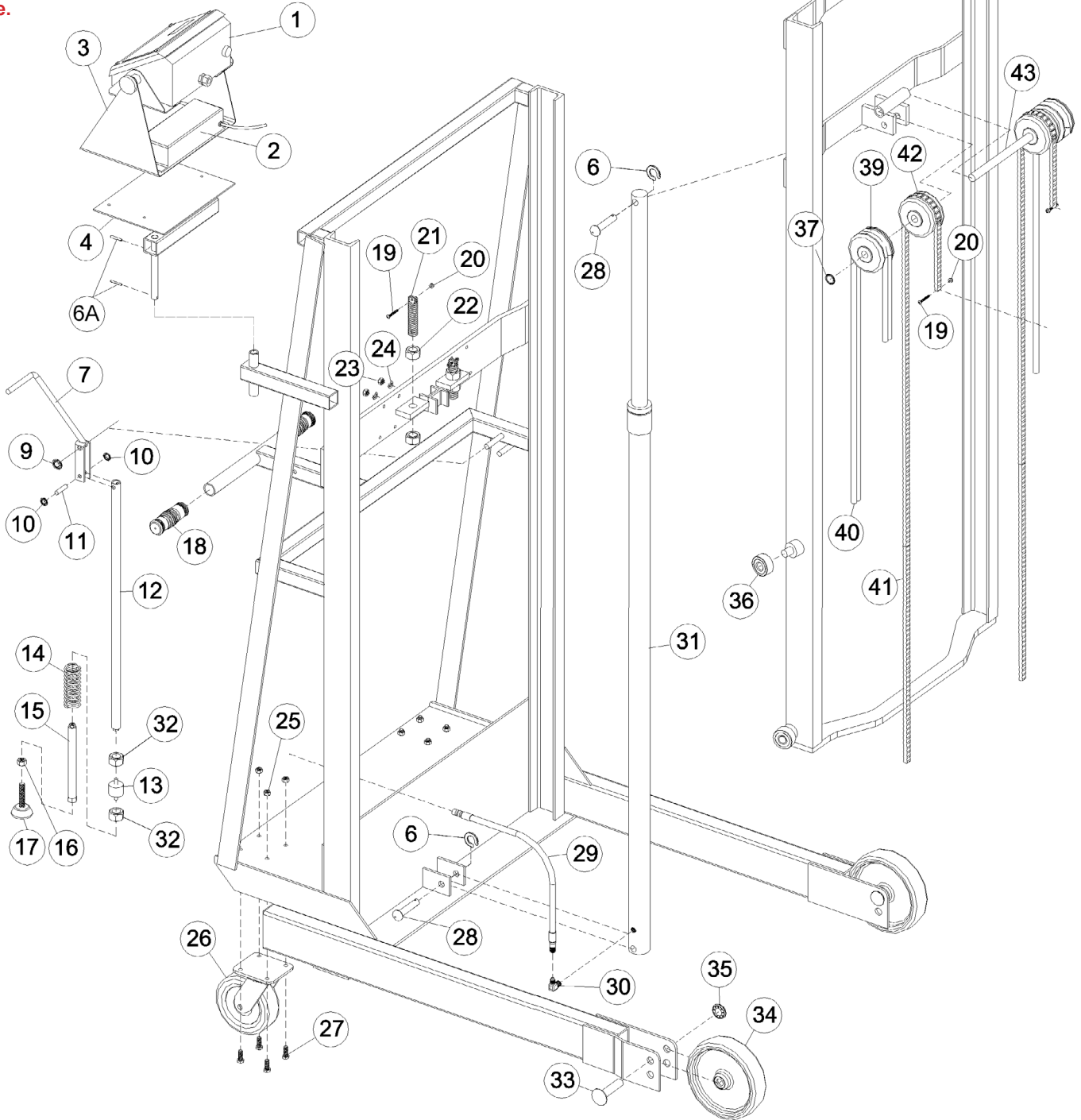


Parts List and Diagram for Base Assembly Part # 30135SS-P
for Stainless Steel 525SS Series Scale-Equipped Two-Stage Vertical-Lift Drum Pourers
with Serial Number 400000 to _____

For replacement parts, please contact your Morse dealer.
When ordering parts, please specify: Part number and description, model number and serial number. Find model number and serial number on metal name plate attached to frame.



morsedrum.com



service@morsedrum.com



(315) 437-8475



103 Kuhn Rd.
 Syracuse, NY, 13208 U.S.A.

Parts List and Diagram for Base Assembly Part # 30135SS-P
for Stainless Steel 525SS Series Scale-Equipped Two-Stage Vertical-Lift Drum Pourers
with Serial Number 400000 to _____

ITEM	SCALE	MODEL SUFFIX	QTY.	PART #	DESCRIPTION
1	T		1	6426-P	SCALE INDICATOR, T, 2800
	N		1	5515-P	SCALE INDICATOR, N, 2255
2	T		1	6427-P	BATTERY PACK, ACC 2830, 2800
3			1	3233-P	BRACKET, SCALE, ACC 357, T, N
4			1	3579SS-P	MOUNT WELD, INDICATOR, T, N SS
5	T		1	6428-P	CHARGER, BATTERY, 2800 SCALE
6			2	5347SS-P	SNAP RING, EXT, SS, 5/8"
6A			2	64SS-P	ROLL PIN, 3/16 X 1-1/4, SS
7			1	3294SS-P	HANDLE WELD, FLOOR LOCK SS
9			1	718-P	PUSH NUT, 1/2"
10			2	716-P	PUSH NUT, 3/8"
11			1	3720SS-P	TEE PIECE, SS, 7SS-X
12			1	3297SS-P	PUSH TUBE WELD FLOOR LOCK SS
13			1	3302-P	FLEX COUPLING, FLOOR LOCK VERT
14			1	3169-P	SPRING, COMP, FLOOR LOCK VERT
15			1	5375SS-P	STAND, FLOOR LOCK VERT, SS
16			1	91SS-P	NUT, 1/2-13 FIN HEX, SS
17 *			1	3171-P	PAD, FLOOR LOCK, VERT LIFT
18			2	83-P	HANDLE GRIP, 1-1/4 X 4-1/2
19			4	5580-P	SHCS, 10-32 X 1-1/4
20			4	5581-P	NUT, 10-32 NYLON LOCK NUT
21			2	3046SS-P	ANCHOR, LEAF CHAIN, ADJUST, SS
22			4	1545SS-P	NUT, 7/8-9 FIN HEX, SS
23			2	1518SS-P	NUT, 1/4-20 NYLON LOCK, SS
25			8	3981SS-P	NUT, 3/8-16 NYLON LOCK, SS
26 *			2	3049-P	CASTER, SWIVEL, 6" VERT LIFT
27			8	535SS-P	HHCS, 3/8-16 X 1-1/4, SS
28			2	5348SS-P	PIN, GROOVE, 5/8 X 2.625 C SS
29			1	3573-P	HYD HOSE ASM, VERT, CYL, 48"
30			1	3610-P	HYD FIT, EL, SAE 6, FLARE
31			1	3008-P	CYLINDER, 1.5 X 52 2X VERT
32			2	1634-P	NUT, 5/16-18 WHIZ LOCK
33			2	5329SS-P	PIN, GROOVE, 3/4 X 3.10 C SS
34 *			2	87-P	WHEEL, MORTUF, 8", 3/4" BRG
35 *			2	5330SS-P	SNAP RING, EXT, 3/4", SS
36			1	5208-P	BEARING, 3/4 ID, SEALED
37			2	15SS-P	COLLAR, 3/4" ID, SS
39		NO SUFFIX	1	5101H-P	PULLEY, HOSE/ WIRE, SEALED
39		120, 124, 125	1	5101H-P	PULLEY, HOSE/ WIRE, SEALED
39		110, 114, 115	2	5101H-P	PULLEY, HOSE/ WIRE, SEALED
40		110, 114, 115	2	3572-P	HYD HOSE ASM, 2X PT, 156"
41			2	3474-P	CHAIN, LIFT, 1/2" LEAF, 520SS
42			2	5101L-P	PULLEY, LEAF CHAIN, SEALED
43			1	3470CSS-P	SHAFT, 4 PULLEY, LEAF CHAIN SS

* Recommended Spare Parts